



Chipsmall Limited consists of a professional team with an average of over 10 year of expertise in the distribution of electronic components. Based in Hongkong, we have already established firm and mutual-benefit business relationships with customers from,Europe,America and south Asia,supplying obsolete and hard-to-find components to meet their specific needs.

With the principle of "Quality Parts,Customers Priority,Honest Operation,and Considerate Service",our business mainly focus on the distribution of electronic components. Line cards we deal with include Microchip,ALPS,ROHM,Xilinx,Pulse,ON,Everlight and Freescale. Main products comprise IC,Modules,Potentiometer,IC Socket,Relay,Connector.Our parts cover such applications as commercial,industrial, and automotives areas.

We are looking forward to setting up business relationship with you and hope to provide you with the best service and solution. Let us make a better world for our industry!



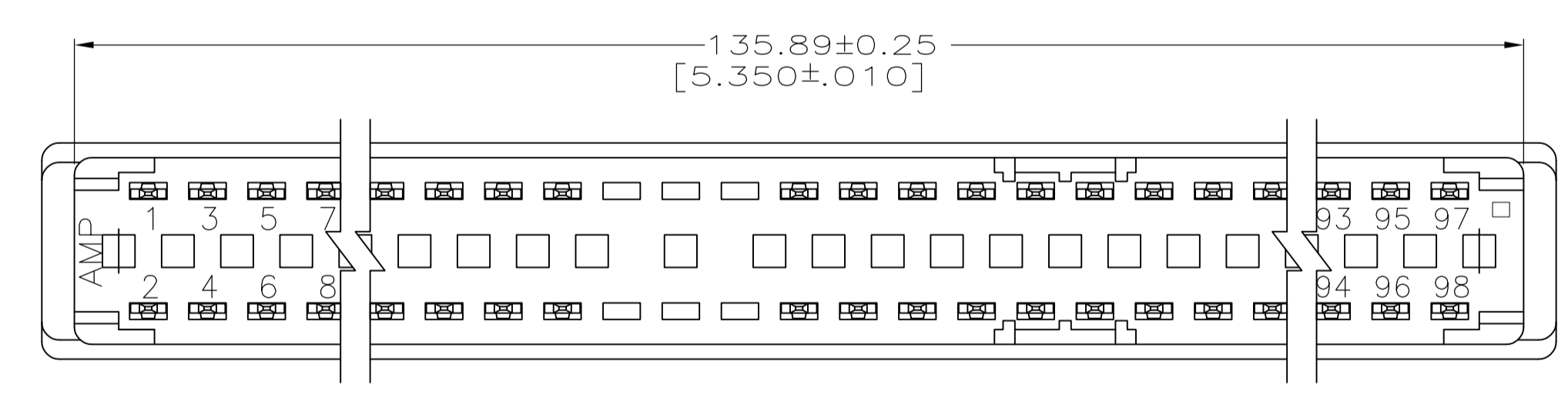
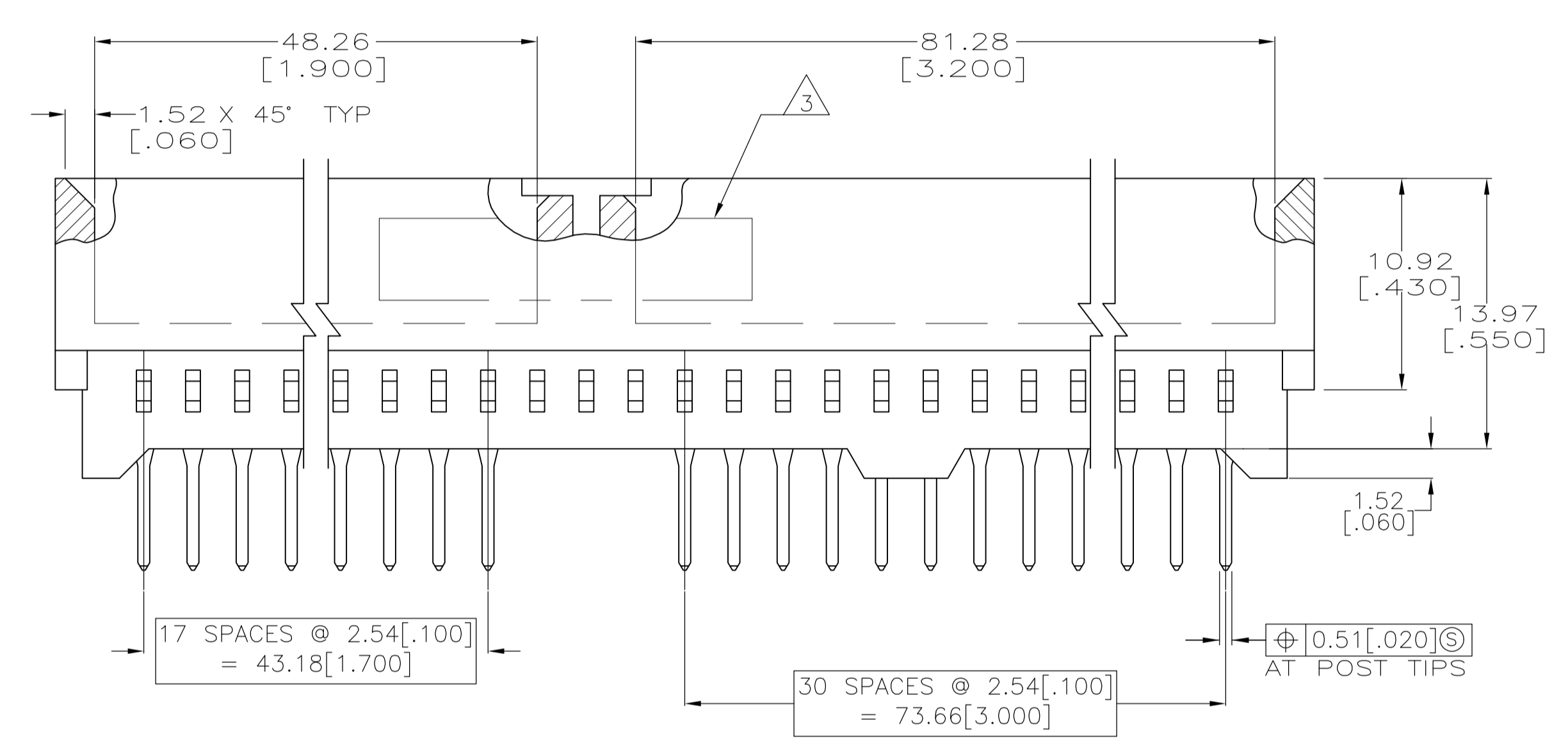
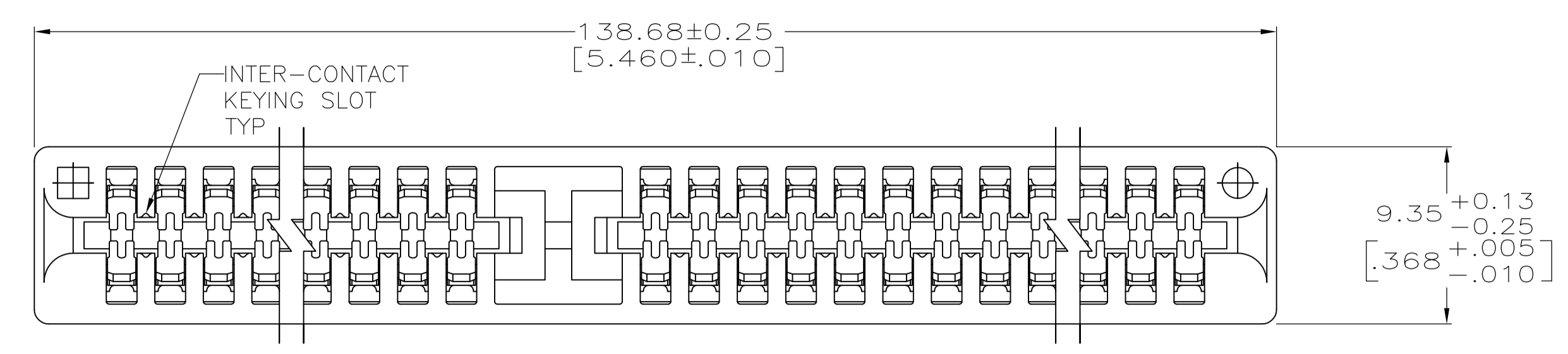
Contact us

Tel: +86-755-8981 8866 Fax: +86-755-8427 6832

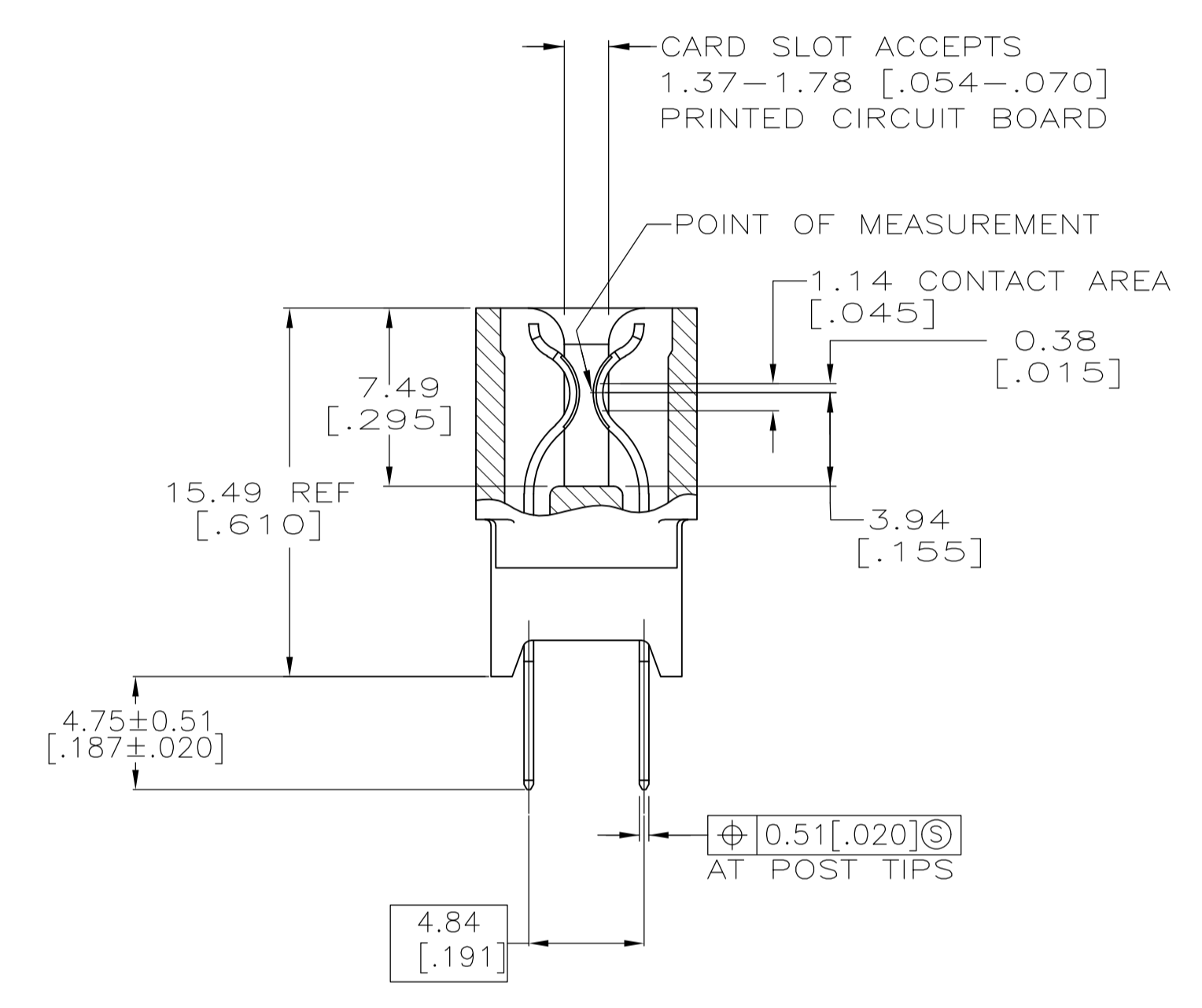
Email & Skype: info@chipsmall.com Web: www.chipsmall.com

Address: A1208, Overseas Decoration Building, #122 Zhenhua RD., Futian, Shenzhen, China





- MATERIAL:
 HOUSING: GLASS FILLED POLYESTER; COLOR: BLACK.
 CONTACT: PHOS BRONZE
- FINISH:
 0.00076 [.000030] MIN GOLD PLATE IN CONTACT AREA,
 0.00254 [.000100] MIN MATTE TIN ON SOLDER POSTS, ALL
 OVER 0.00127 [.000050] MIN NICKEL
- AMP LOGO, TE PART NUMBER, DATE CODE AND CSA LOGO INK
 STAMPED WHITE (HOT STAMPED OR LAZER PRINTED) IN THE APPROXIMATE
 AREA SHOWN, EITHER SIDE PERMISSABLE, WHEN HOUSING SIZE PERMITS
- RECOMMENDED PCB FINISHED HOLE DIAMETER = 1.08±0.08 [.040±.003]



OBsolete 5650616-2
 PART NUMBER

49 5650616-1
 NO OF POSN PART NUMBER

THIS DRAWING IS A CONTROLLED DOCUMENT.		DWN AWF/L.A.MAYER 29FEB2008 CHK A.W.FRANTUM 29FEB2008		Tyco Electronics Corporation Harrisburg, PA 17105-3608	
DIMENSIONS: mm [INCHES]		TOLERANCES UNLESS OTHERWISE SPECIFIED: 0. PLC ± - 1. PLC ± - 2. PLC ± 0.13 [.005] 3. PLC ± - 4. PLC ANGLES ± - °		NAME S. FLICKINGER 29FEB2008 PRODUCT SPEC 108-9039 APPLICATION SPEC 114-13018	
MATERIAL SEE NOTE 1		FINISH SEE NOTE 2		SIZE A1 WEIGHT - CUSTOMER DRAWING	
				SCALE 4:1 SHEET 1 OF 1 REV B	