



Chipsmall Limited consists of a professional team with an average of over 10 year of expertise in the distribution of electronic components. Based in Hongkong, we have already established firm and mutual-benefit business relationships with customers from,Europe,America and south Asia,supplying obsolete and hard-to-find components to meet their specific needs.

With the principle of “Quality Parts,Customers Priority,Honest Operation,and Considerate Service”,our business mainly focus on the distribution of electronic components. Line cards we deal with include Microchip,ALPS,ROHM,Xilinx,Pulse,ON,Everlight and Freescale. Main products comprise IC,Modules,Potentiometer,IC Socket,Relay,Connector.Our parts cover such applications as commercial,industrial, and automotives areas.

We are looking forward to setting up business relationship with you and hope to provide you with the best service and solution. Let us make a better world for our industry!



Contact us

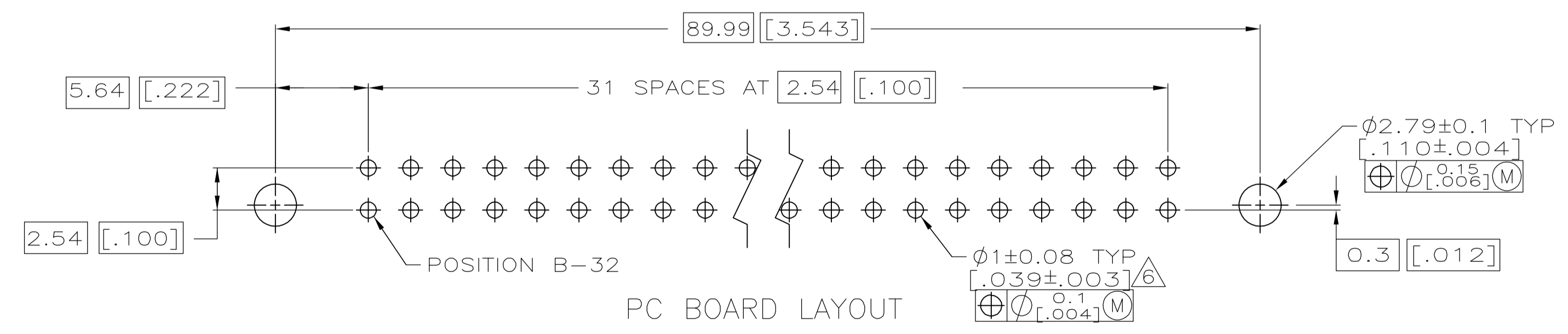
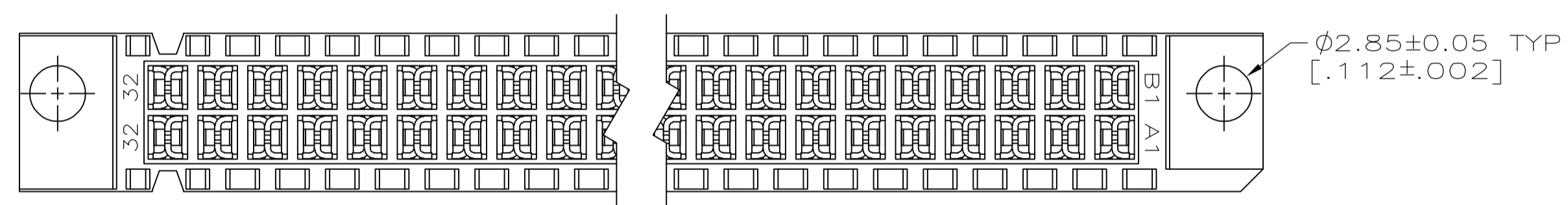
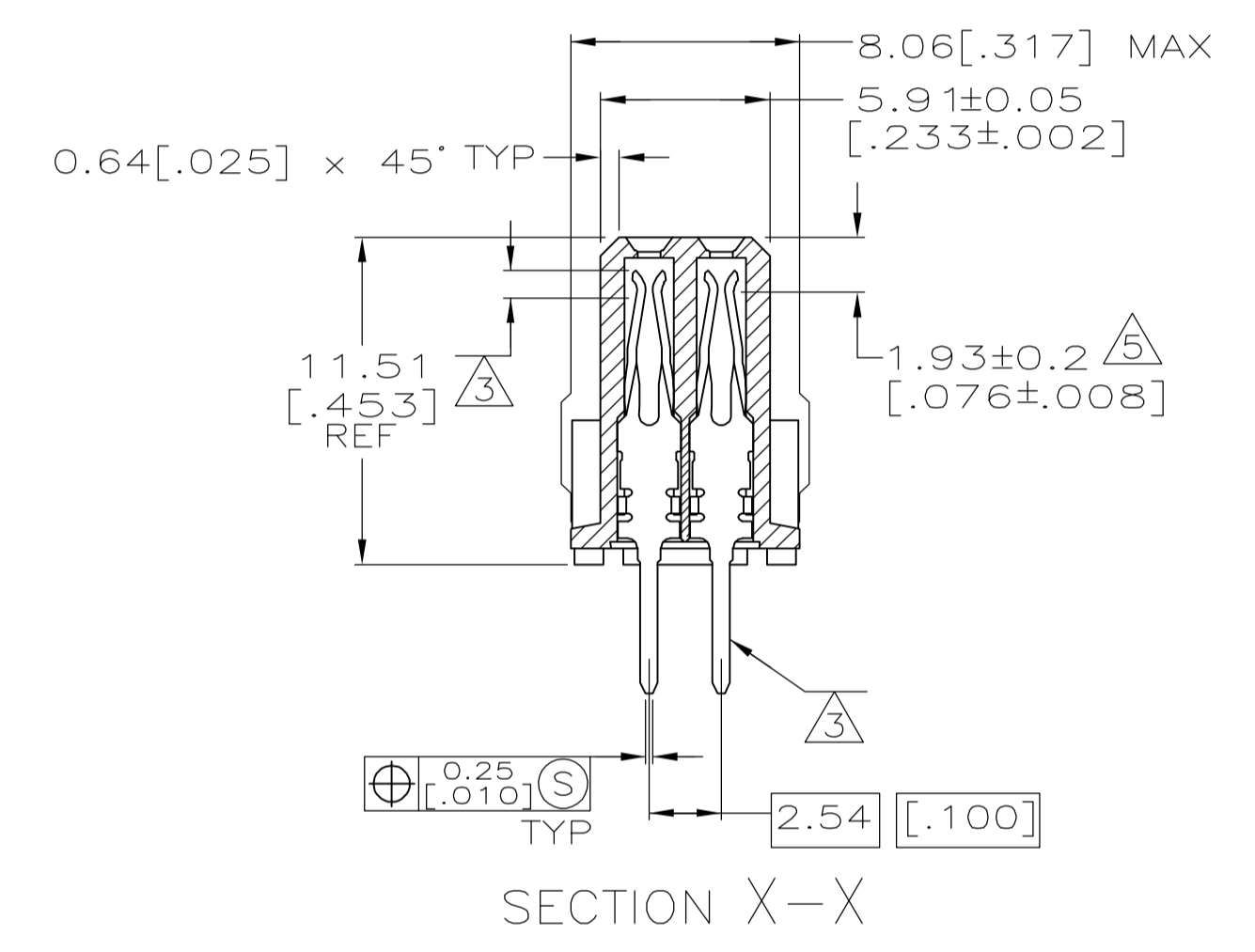
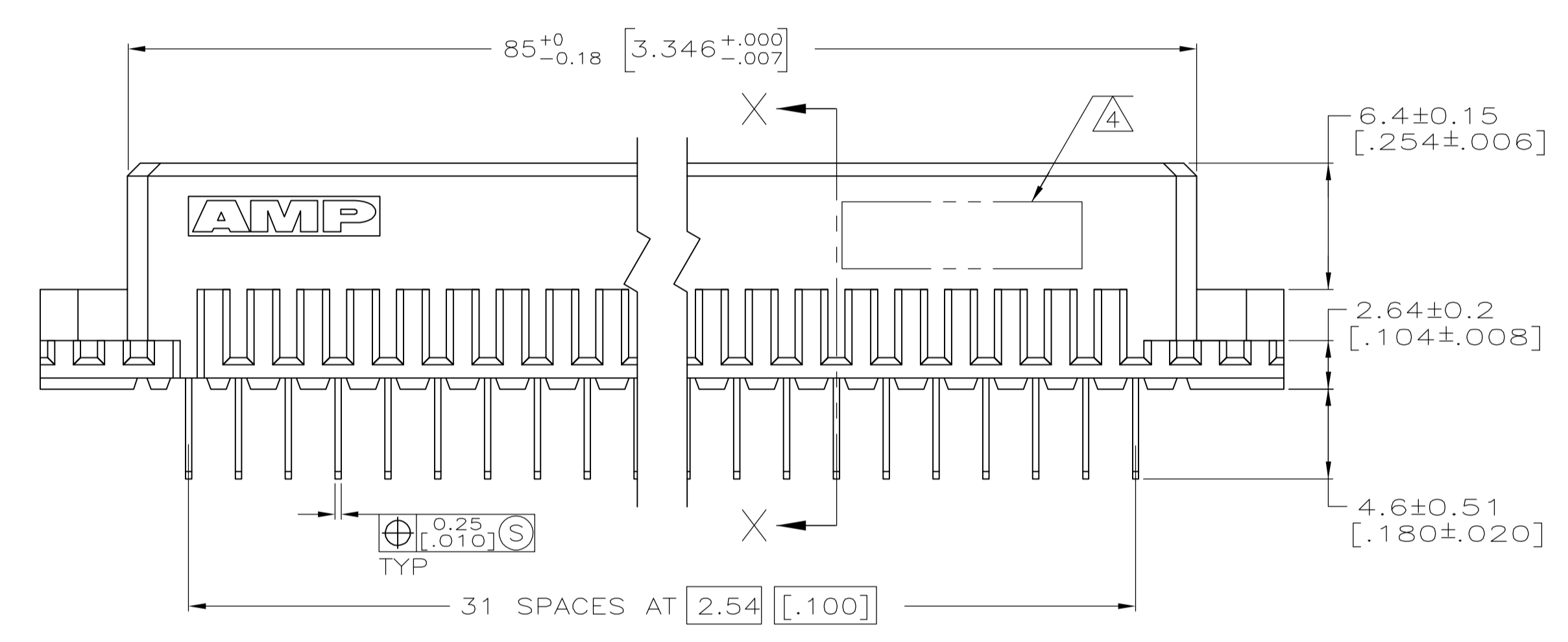
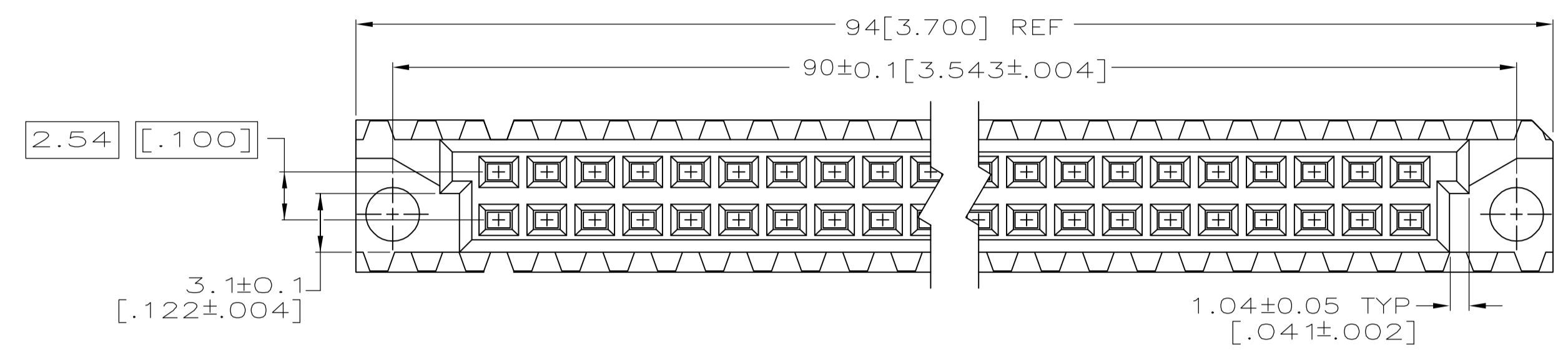
Tel: +86-755-8981 8866 Fax: +86-755-8427 6832

Email & Skype: info@chipsmall.com Web: www.chipsmall.com

Address: A1208, Overseas Decoration Building, #122 Zhenhua RD., Futian, Shenzhen, China



- ① HOUSING MATERIAL: GLASS-FILLED POLYMER.
- ② CONTACT MATERIAL: COPPER ALLOY.
- ③ CONTACT FINISH: DIN 41612 CLASS 2 IN CONTACT AREA. TIN PLATE ON POSTS.
- ④ PART NUMBER, DATE CODE IDENTIFICATION, CSA LOGO IN THIS APPROXIMATE AREA, ON REVERSE SIDE.
- ⑤ CONTACT POINT.
- ⑥ RECOMMENDED HOLE SIZE FOR MANUAL APPLICATION OF CONNECTOR ONTO PC BOARD.



1 THRU 32	X	X	64	5650861-5
1 THRU 32	X	X	64	5650861-4
POSITIONS LOADED	B	A	NO. OF LOADED POSITION	ASSY PART NUMBER
	ROWS LOADED			

THIS DRAWING IS A CONTROLLED DOCUMENT.		DWG J. POLIGNONE	03JUN05	Tyco Electronics Corporation Harrisburg, Pa 17105-3608
DIMENSIONS: mm [INCHES]		CHK A. SHARPE	03JUN05	
TOLERANCES UNLESS OTHERWISE SPECIFIED:		APVD A. SHARPE	03JUN05	NAME ASSEMBLY, RECEPTACLE, EUROCARD, TYPE B, LEAD-FREE, 64 POSITION, 4.57[.180] SOLDER POSTS
0 PLC ± -	1 PLC ± -	APPLICATION SPEC	SIZE A1	CAGE CODE 00779
2 PLC ± -	3 PLC ± 0.1[.005]	WEIGHT	SCALE 4:1	DRAWING NO. C=5650861
4 PLC ± -	ANGLES ± -	CUSTOMER DRAWING	SHEET 1 OF 1	REV 0