



Chipsmall Limited consists of a professional team with an average of over 10 year of expertise in the distribution of electronic components. Based in Hongkong, we have already established firm and mutual-benefit business relationships with customers from,Europe,America and south Asia,supplying obsolete and hard-to-find components to meet their specific needs.

With the principle of “Quality Parts,Customers Priority,Honest Operation,and Considerate Service”,our business mainly focus on the distribution of electronic components. Line cards we deal with include Microchip,ALPS,ROHM,Xilinx,Pulse,ON,Everlight and Freescale. Main products comprise IC,Modules,Potentiometer,IC Socket,Relay,Connector.Our parts cover such applications as commercial,industrial, and automotives areas.

We are looking forward to setting up business relationship with you and hope to provide you with the best service and solution. Let us make a better world for our industry!



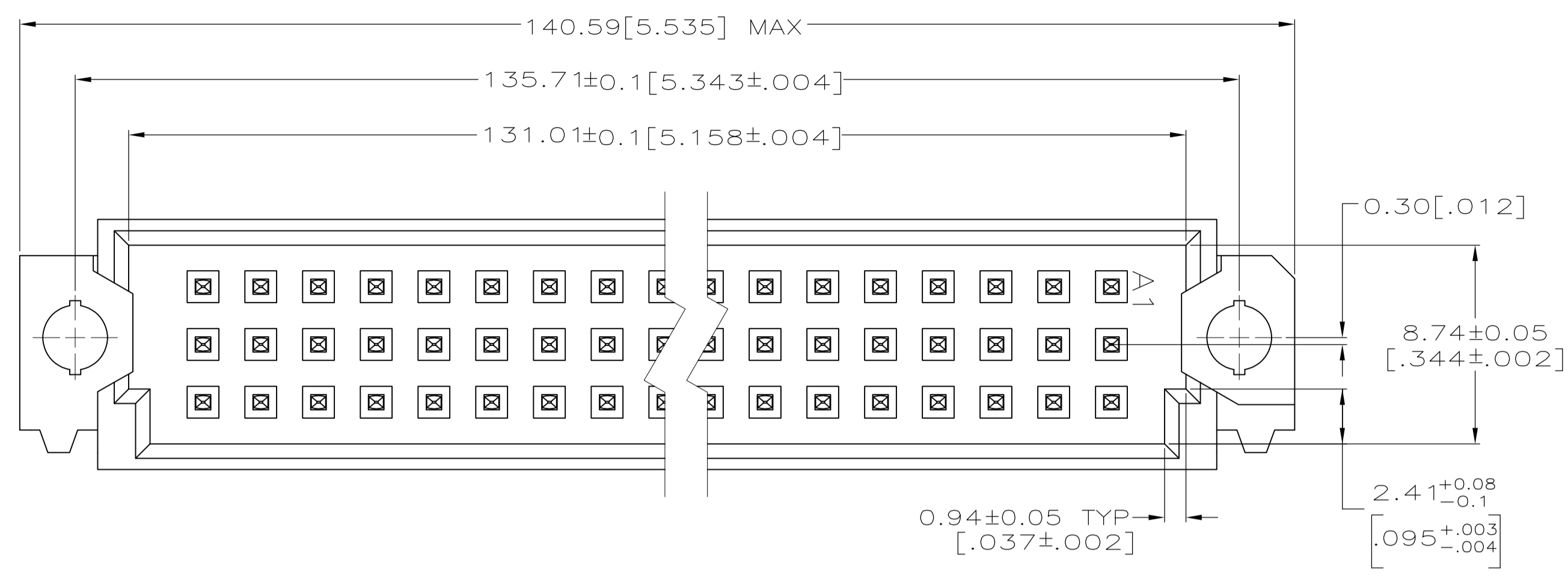
## Contact us

Tel: +86-755-8981 8866 Fax: +86-755-8427 6832

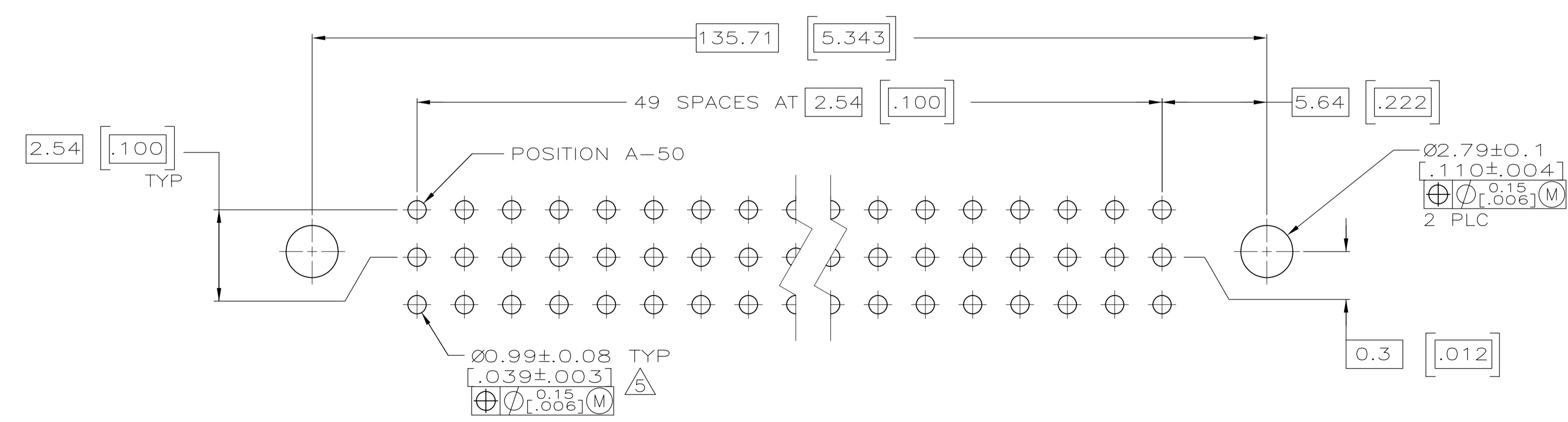
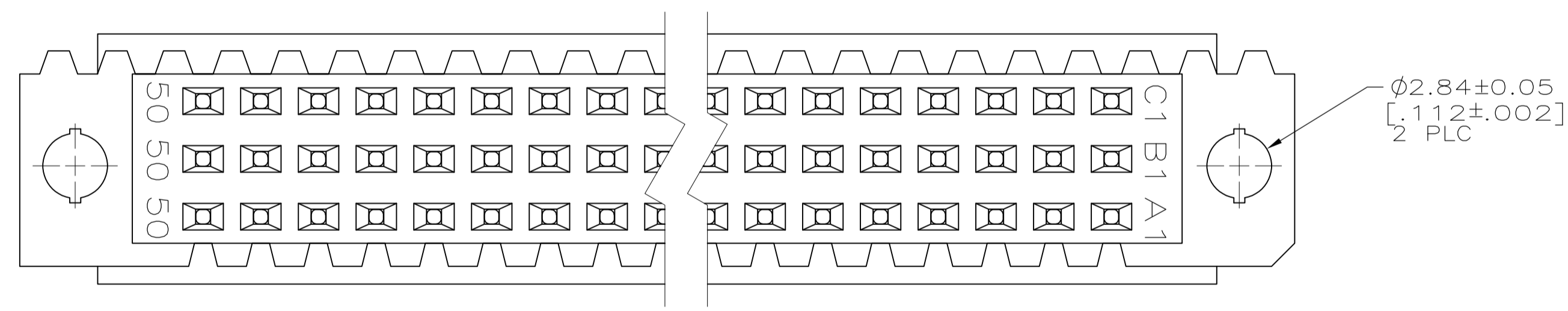
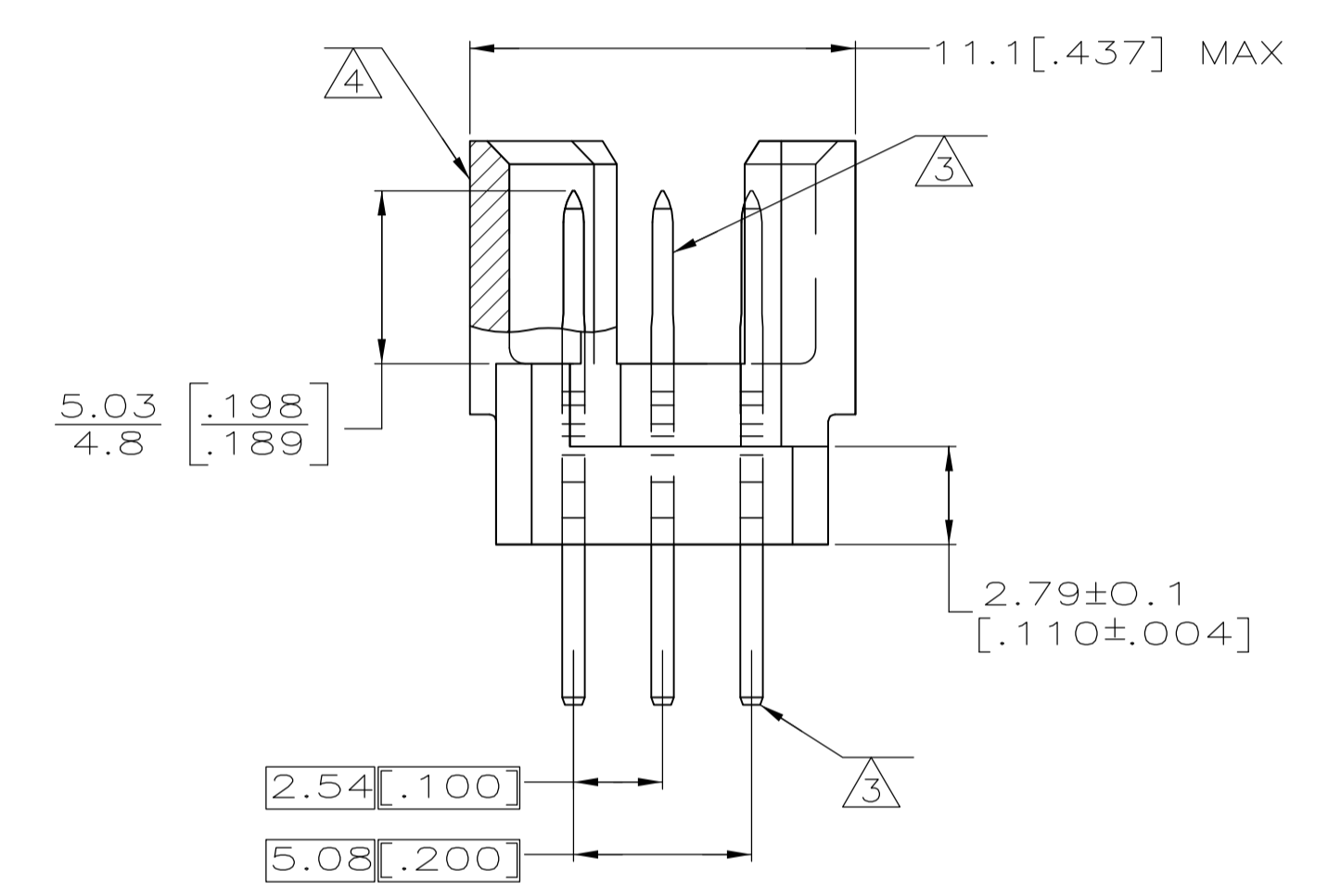
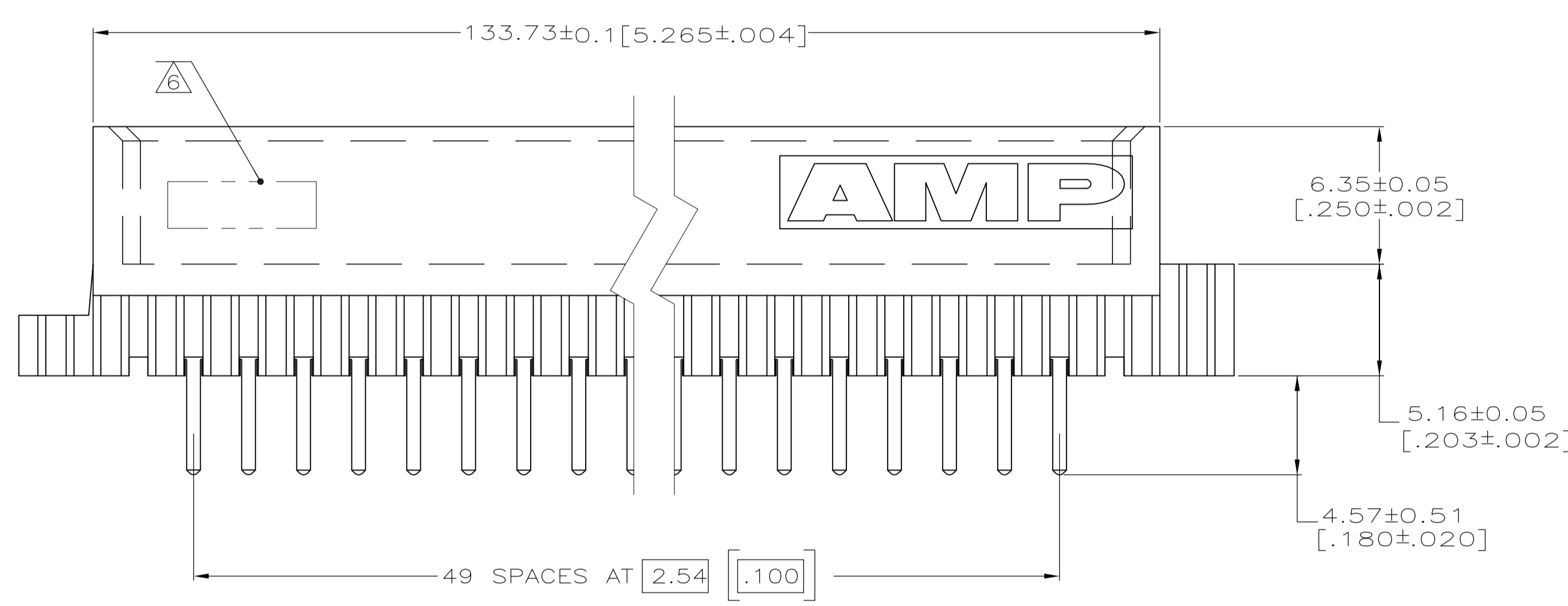
Email & Skype: info@chipsmall.com Web: www.chipsmall.com

Address: A1208, Overseas Decoration Building, #122 Zhenhua RD., Futian, Shenzhen, China





- ① HOUSING MATERIAL: GLASS-FILLED POLYMER
- ② POST MATERIAL: COPPER ALLOY.
- ③ POST FINISH: DIN 41612 CLASS 2 IN CONTACT AREA. TIN PLATE ON POSTS.
- ④ MARKING ON THIS SIDE.
- ⑤ RECOMMENDED HOLE SIZE FOR MANUAL APPLICATION OF CONNECTOR ONTO PC BOARD.
- ⑥ [PART NUMBER, DATE CODE] MARKED THIS APPROXIMATE AREA.



PC BOARD LAYOUT

1-50	X	X	X	150	5650911-5
POSITIONS LOADED	C	B	A	NO. OF LOADED POSITION	ASSY PART NUMBER

THIS DRAWING IS A CONTROLLED DOCUMENT.		DIN J. POLIGNONE CIRK A. SHARPE		Tyco Electronics Corporation Harrisburg, PA 17105-3608	
DIMENSIONS: mm [INCHES]		TOLERANCES UNLESS OTHERWISE SPECIFIED:		NAME: ASSEMBLY, PIN, EUROCARD, TYPE R, 150 POSITION, 4.57[.180] SOLDER POST	
0 PLC ± -		1 PLC ± -		APPLICATION SPEC	
2 PLC ± ± 0.13[.005]		3 PLC ± -		SIZE: A1	
4 PLC ± -		ANGLES ± -		CAGE CODE: 00779	
MATERIAL		FINISH		DRAWING NO: 5650911	
① ②		③		RESTRICTED TO: -	
CUSTOMER DRAWING		SCALE: 5:1		SHEET 1 OF 1 REV 01	