



Chipsmall Limited consists of a professional team with an average of over 10 year of expertise in the distribution of electronic components. Based in Hongkong, we have already established firm and mutual-benefit business relationships with customers from,Europe,America and south Asia,supplying obsolete and hard-to-find components to meet their specific needs.

With the principle of “Quality Parts,Customers Priority,Honest Operation,and Considerate Service”,our business mainly focus on the distribution of electronic components. Line cards we deal with include Microchip,ALPS,ROHM,Xilinx,Pulse,ON,Everlight and Freescale. Main products comprise IC,Modules,Potentiometer,IC Socket,Relay,Connector.Our parts cover such applications as commercial,industrial, and automotives areas.

We are looking forward to setting up business relationship with you and hope to provide you with the best service and solution. Let us make a better world for our industry!



## Contact us

Tel: +86-755-8981 8866 Fax: +86-755-8427 6832

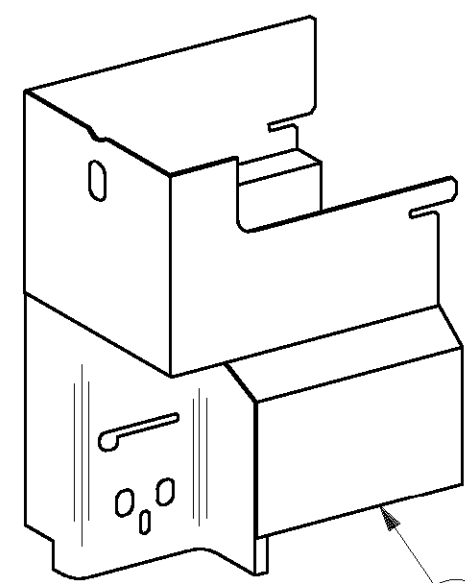
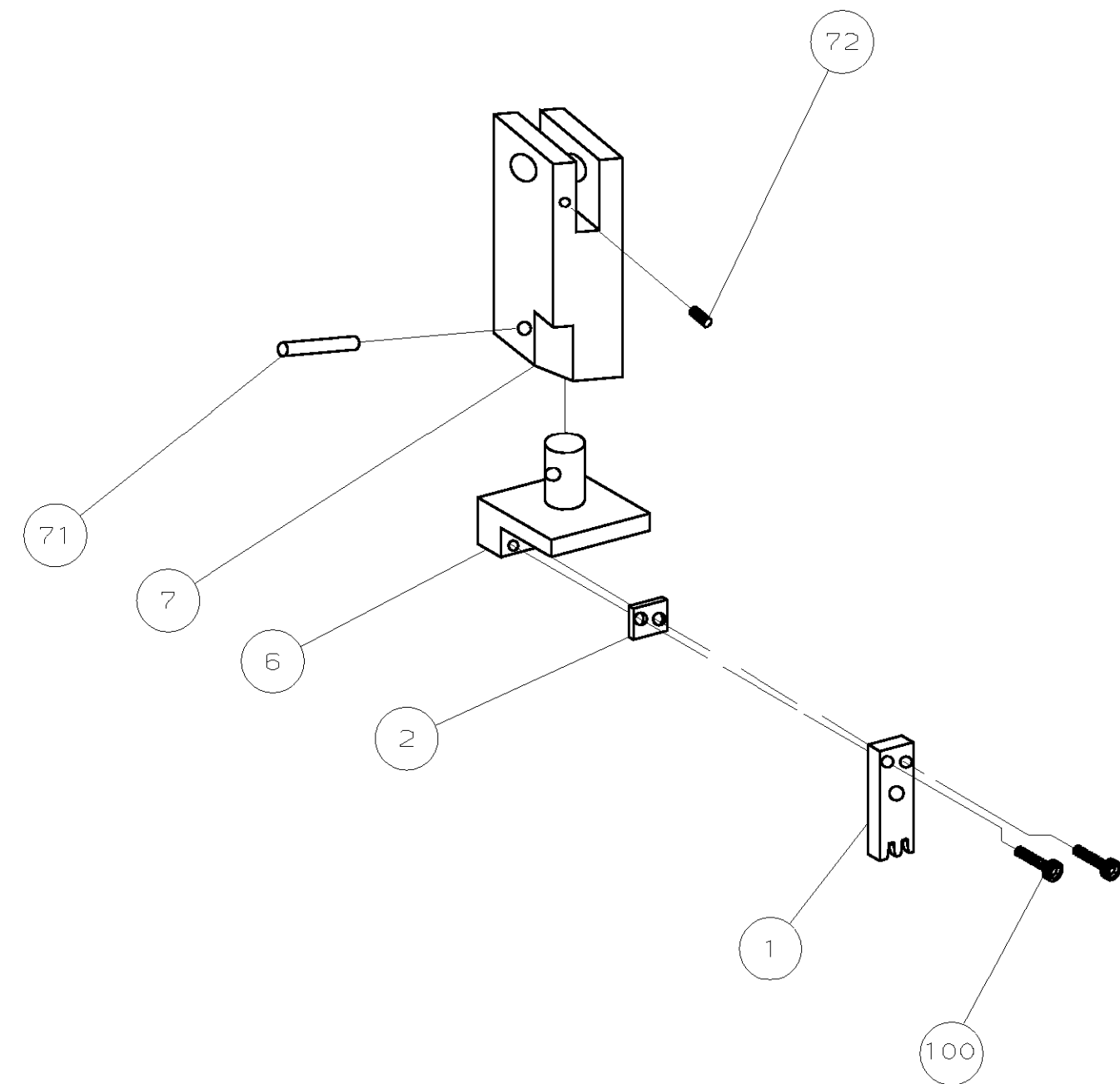
Email & Skype: info@chipsmall.com Web: www.chipsmall.com

Address: A1208, Overseas Decoration Building, #122 Zhenhua RD., Futian, Shenzhen, China



PART NUMBER	REV	FIRST USED
566380-1	C	1-471273-3

- 1 RECOMMENDED SPARE PARTS.
- 2 SPECIAL APPLICATOR TO CRIMP 2 MAGMATE TERMINALS IN A BOBBIN.



GUARD ASSY

TERMINAL NAME:		MAGMATE	
		63039	
TERM APPL SPEC 114-02047			

CRIMPING DATA			
-	CRIMP HEIGHT	WIRE SIZE	
-	.028	26 MAG	
-	-	-	
-	-	-	
-	-	-	
CRIMP WIRE	SIZE	TYPE	RANGE
-	.055	F	-
INSUL	-	-	-
FEED	APPL INST	SET UP GAGE	LAYOUT
-	40B	-	L1593
WIRE STRIP LENGTH -			

-	-	-	-	125	
-	-	-	-	124	
-	-	-	-	123	
-	-	-	-	122	
-	-	-	-	121	
-	-	-	-	120	
-	-	-	-	119	
-	-	-	-	118	
-	-	-	-	117	
-	-	-	-	116	
-	-	-	-	115	
1	-	A	21018-7	NUT, HEX 10-32	114
3	-	A	371178	BASE MOUNT WASHER	113
3	-	A	3-21015-1	SCR, HEX HD 3/8-16 X 1.00	112
-	-	-	-	-	111
-	-	-	-	-	110
-	-	-	-	-	109
-	-	-	-	-	108
-	-	-	-	-	107
-	-	-	-	-	106
1	-	A	23673-1	KNOB, FLUTED	105
1	-	A	1-815303-0	ROD, THREADED 10-32	104
-	-	-	-	-	103
1	-	A	2-21002-4	SCR, BHC 8-32 X .75	102
-	-	-	-	-	101
3	-	A	21001-6	SCR, SHC 1/4-20 X 1.00	100
-	-	-	-	-	99
1	-	A	2-23057-3	PLUNGER, BALL 8-32	98
1	-	A	21024-8	WASHER, LOCK #3/8	97
1	-	A	3-21001-6	SCR, SHC 3/8-16 X 1.25	96
2	-	A	1-21000-9	SCR, SHC 6-32 X .38	95
2	-	A	2-21000-7	SCR, SHC 8-32 X .50	94
1	-	A	2-21000-6	SCR, SHC 8-32 X .38	93
4	-	A	2-21000-9	SCR, SHC 8-32 X .75	92
3	-	A	3-21000-0	SCR, SHC 8-32 X .88	91
-	-	-	-	-	90
1	-	A	3-21008-0	SCR, SET SELF-LOC 6-32 X .32	89
2	-	A	21001-3	SCR, SHC 1/4-20 X .62	88
-	-	-	-	-	87
-	-	-	-	-	86
-	-	-	-	-	85
-	-	-	-	-	84
-	-	-	-	-	83
-	-	-	-	-	82
-	-	-	-	-	81
-	-	-	-	-	80
-	-	-	-	-	79
1	-	B	217940-1	GUARD ASSY	78
-	-	-	-	-	77
-	-	-	-	-	76
-	-	-	-	-	75
-	-	-	-	-	74
-	-	-	-	-	73
1	-	A	2-21549-3	SCR, SET SELF-LOC 1/4-20 X .50	72
1	-	A	6-21029-9	PIN, SLOTTED SPR .312 X 1.50	71

REV	U/M	DWG SIZE	PART NO	DESCRIPTION	ITEM NO
-1	X			REVISION OF EACH ASSY NO (WHEN BLANK, USE DWG REVISION)	

-	-	-	-	-	70
-	-	-	-	-	69
-	-	-	-	-	68
-	-	-	-	-	67
-	-	-	-	-	66
-	-	-	-	-	65
-	-	-	-	-	64
-	-	-	-	-	63
-	-	-	-	-	62
1	-	B	452373-1	PLATE I.D.	61
3	-	A	21017-6	SCR, RH DRIVE	60
-	-	-	-	-	59
-	-	-	-	-	58
-	-	-	-	-	57
-	-	-	-	-	56
-	-	-	-	-	55
-	-	-	-	-	54
-	-	-	-	-	53
-	-	-	-	-	52
-	-	-	-	-	51
-	-	-	-	-	50
-	-	-	-	-	49
1	-	C	570238	BASE MOUNT	48
1	-	B	465317-1	BASE PLATE	47
-	-	-	-	-	46
-	-	-	-	-	45
1	-	B	189432-1	ANVIL	44
-	-	-	-	-	43
1	-	C	356354-2	PLATE, RETAINING	42
-	-	-	-	-	41
1	-	C	224311-2	BASE BLOCK	40
-	-	-	-	-	39
-	-	-	-	-	38
1	-	B	356434-1	HOLDER, BOBBIN	37
-	-	-	-	-	36
-	-	-	-	-	35
-	-	-	-	-	34
-	-	-	-	-	33
1	-	C	356354-1	PLATE, RETAINING	32
-	-	-	-	-	31
-	-	-	-	-	30
-	-	-	-	-	29
-	-	-	-	-	28
1	-	A	356353-1	STRIPPER	27
1	-	B	189450-1	MOUNT, STRIPPER	26
-	-	-	-	-	25
-	-	-	-	-	24
-	-	-	-	-	23
-	-	-	-	-	22
-	-	-	-	-	21
-	-	-	-	-	20
-	-	-	-	-	19
-	-	-	-	-	18
-	-	-	-	-	17
-	-	-	-	-	16
-	-	-	-	-	15
-	-	-	-	-	14
-	-	-	-	-	13
-	-	-	-	-	12
-	-	-	-	-	11
-	-	-	-	-	10
-	-	-	-	-	9
-	-	-	-	-	8
1	-	B	471167	RAM	7
1	-	B	314894-1	TOOL HOLDER	6
-	-	-	-	-	5
-	-	-	-	-	4
-	-	-	-	-	3
1	-	B	314896-2	SPACER	2
1	-	C	5-565086-2	CRIMPER, WIRE	1

REV	U/M	DWG SIZE	PART NO	DESCRIPTION	ITEM NO
-1	X			REVISION OF EACH ASSY NO (WHEN BLANK, USE DWG REVISION)	

DIMENSIONS IN INCHES. DO NOT SCALE PRINT. TOLERANCES UNLESS OTHERWISE SPECIFIED:		MACH REF	
1	PLC DEC ±	1	STD APPL
2	PLC DEC ±	2	STD APPL
3	PLC DEC ±	3	STD APPL
4	PLC DEC ±	4	STD APPL
ANGLES ±		MACHINE REF	
SURF TEXTURE: ✓		STD APPL	
REMOVE BURRS, BREAK SHARP EDGES R.015 MAX		MACHINE REF	
SCALE 1:4	DWG NO 566380	SHEET 1 OF 1	REV C

LOC A  
DIST 4

THIS DRAWING IS A CONTROLLED DOCUMENT FOR THE COMPANY AND SHOULD BE KEPT IN THE COMPANY'S CONTROL. IT IS SUBJECT TO CHANGE AND THE CONTROLLING ENGINEERING ORGANIZATION SHOULD BE CONTACTED FOR THE LATEST REVISION.

THIS DRAWING IS UNCLASSIFIED. RELEASED FOR PUBLICATION 01DEC1999 BY AMP INCORPORATED. ALL RIGHTS RESERVED. COPYRIGHT 1999