

Chipsmall Limited consists of a professional team with an average of over 10 year of expertise in the distribution of electronic components. Based in Hongkong, we have already established firm and mutual-benefit business relationships with customers from,Europe,America and south Asia,supplying obsolete and hard-to-find components to meet their specific needs.

With the principle of “Quality Parts,Customers Priority,Honest Operation,and Considerate Service”,our business mainly focus on the distribution of electronic components. Line cards we deal with include Microchip,ALPS,ROHM,Xilinx,Pulse,ON,Everlight and Freescale. Main products comprise IC,Modules,Potentiometer,IC Socket,Relay,Connector.Our parts cover such applications as commercial,industrial, and automotives areas.

We are looking forward to setting up business relationship with you and hope to provide you with the best service and solution. Let us make a better world for our industry!



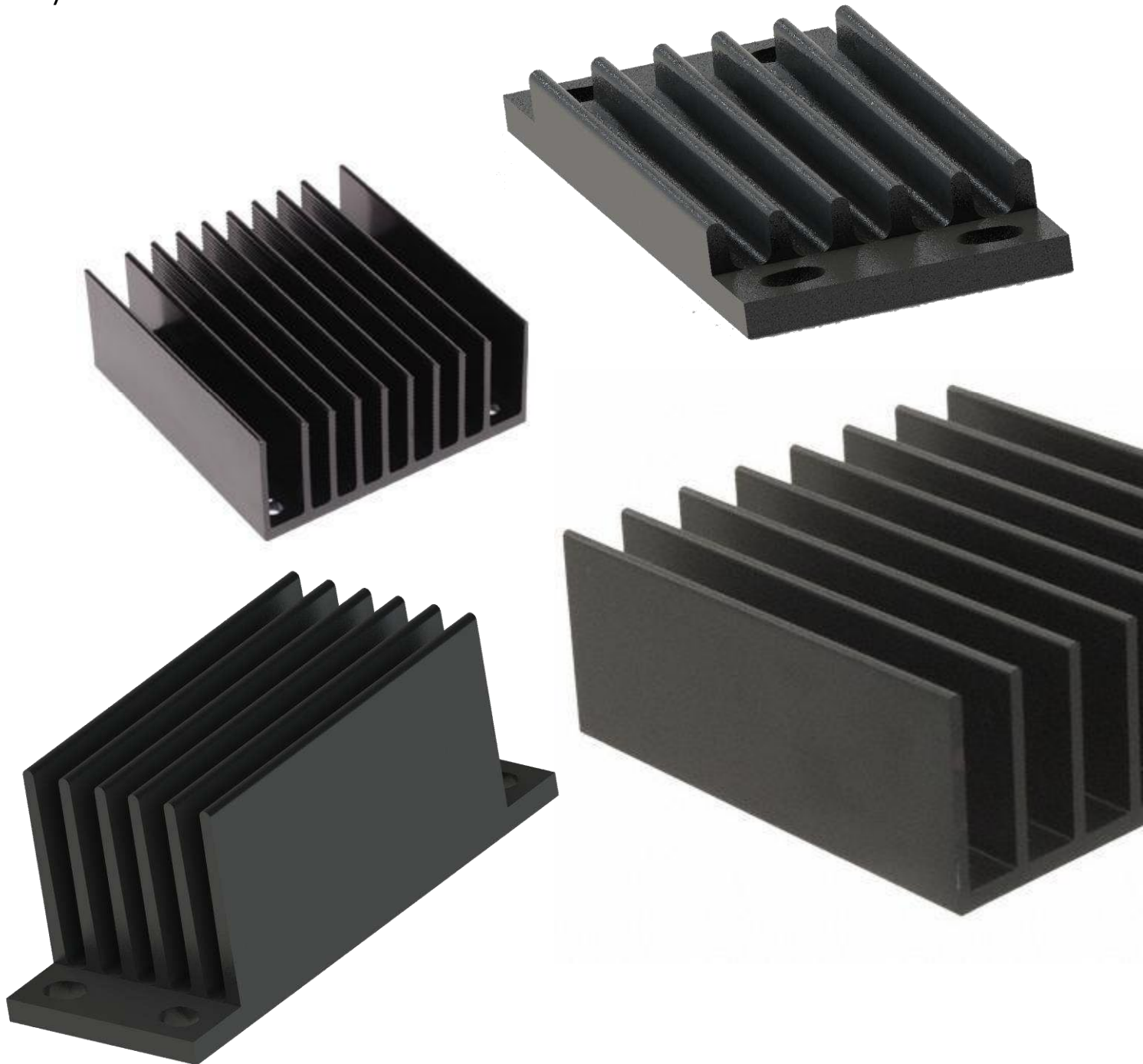
Contact us

Tel: +86-755-8981 8866 Fax: +86-755-8427 6832

Email & Skype: info@chipsmall.com Web: www.chipsmall.com

Address: A1208, Overseas Decoration Building, #122 Zhenhua RD., Futian, Shenzhen, China

Standard Heat Sink Solutions DC/DC Converters



Full-Brick DC/DC Heat Sinks



557, 558, & 559 Series

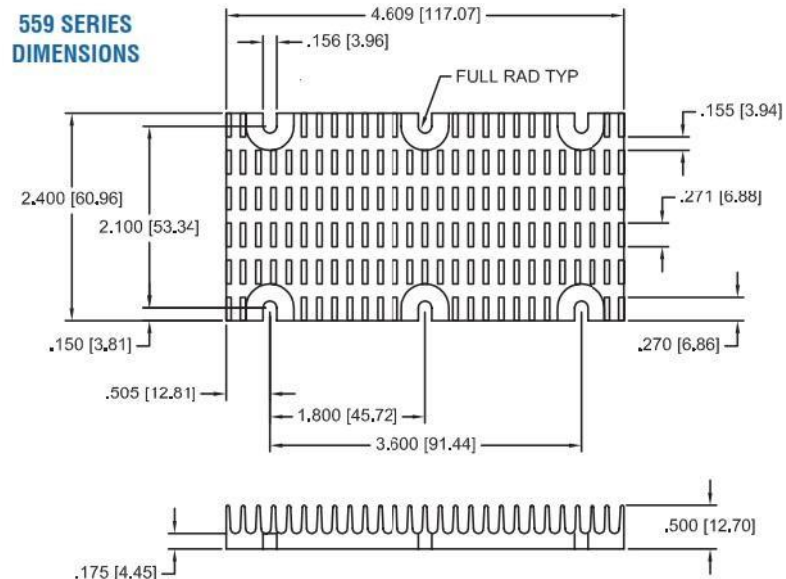
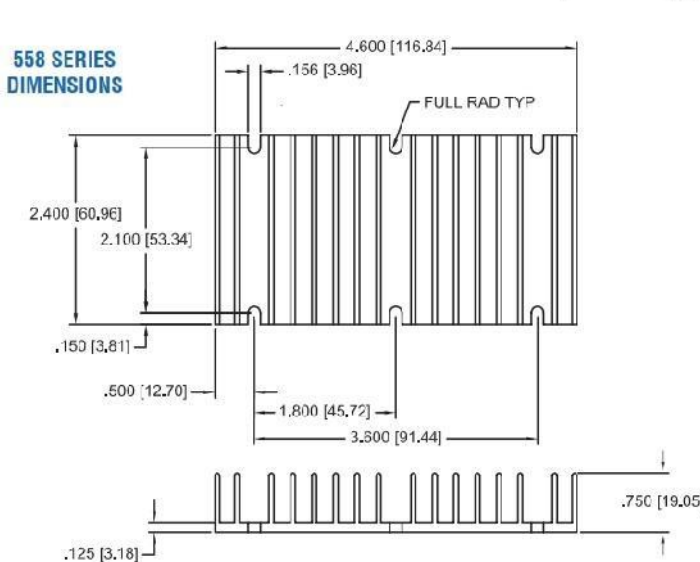
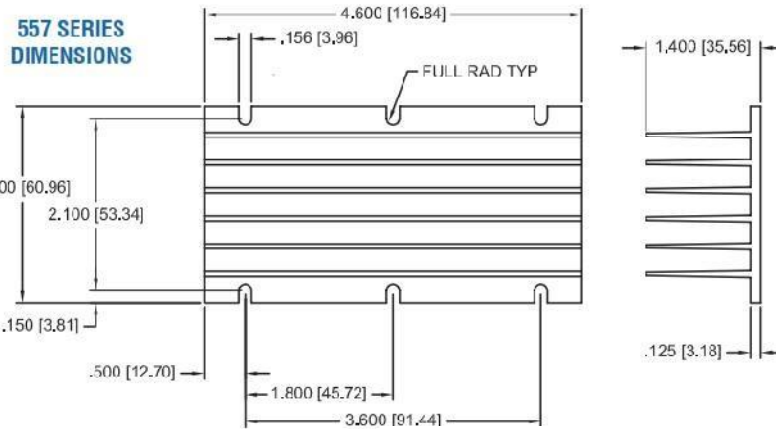
- Aluminum extruded fin construction keeps DC/DC converter modules cool in both forced and natural convection applications.
- Three fin heights, two flow direction options.
- Black anodize finish standard.
- Integral thermal interface pad option eliminates need to order and install pad separately.
- Ordering a single part number with the hardware kit option provides everything necessary to keep your converter cool.



Full Brick 557, 558 & 559 Series	
Manufacturer	Recommended Series
Artesyn	AIF
Artesyn	AGF
CUI	VFB
Ericsson	PKY
TDK	PAF
TDK	iFB

Standard P/N	Footprint Dimensions in. (mm)	Height in. (mm)	Fin Orientation	Number of Fins	Forced Convection Thermal Resistance at 300 ft/min (C/W)	Natural Convection Power Dissipation (Watts) 40°C Rise Heat Sink to Ambient
557-140AB	4.60 (116.8) x 2.40 (61.0)	1.40 (35.6)	Horizontal	6	1.3	14
558-75AB	2.40 (61.0) x 4.60 (116.8)	0.75 (19.1)	Vertical	16	1.8	12
559-50AB	2.40 (61.0) x 4.60 (116.8)	0.50 (12.7)	Vertical	27	2.2	10

Material: Aluminum, Black Anodized



Thermal Cooling Solutions from Smart to Finish

www.wakefield-vette.com

Half-Brick DC/DC Heat Sinks

517, 518 & 527 & 528 Series

- Standard mounting hole patterns mate with the majority of "half-brick" DC/DC converters on the market.
- Aluminum extruded fin construction keeps DC/DC converter modules cool in both forced and natural convection applications.
- Vertical and horizontal fin configurations available in a variety of fin heights.
- Black anodize finish standard.
- Integral thermal interface pad option eliminates need to order and install pad separately.
- Ordering a single part number with the hardware kit option provides everything necessary to keep your converter cool.



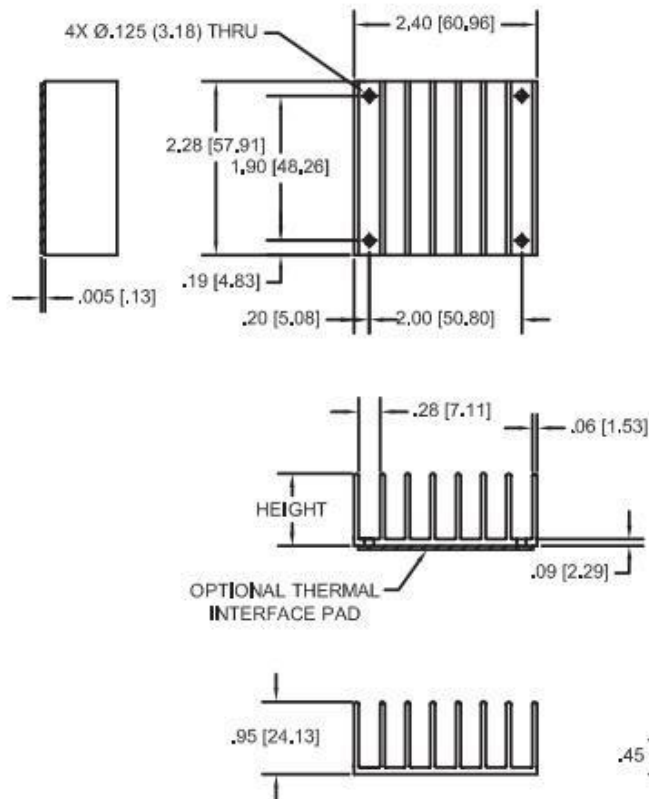
Half Brick 517-518/ 527-528 Series

Manufacturer	Recommended Series
Artesyn	AIH
Artesyn	AGH
Artesyn	AVE
Artesyn	RF
CUI	VHB
CUI	VHE
Ericsson	PKJ
muRata	PAH
muRata	MEE
power-one	HH
power-one	HBA
TDK	PAH
TDK	iHG
TDK	iHI

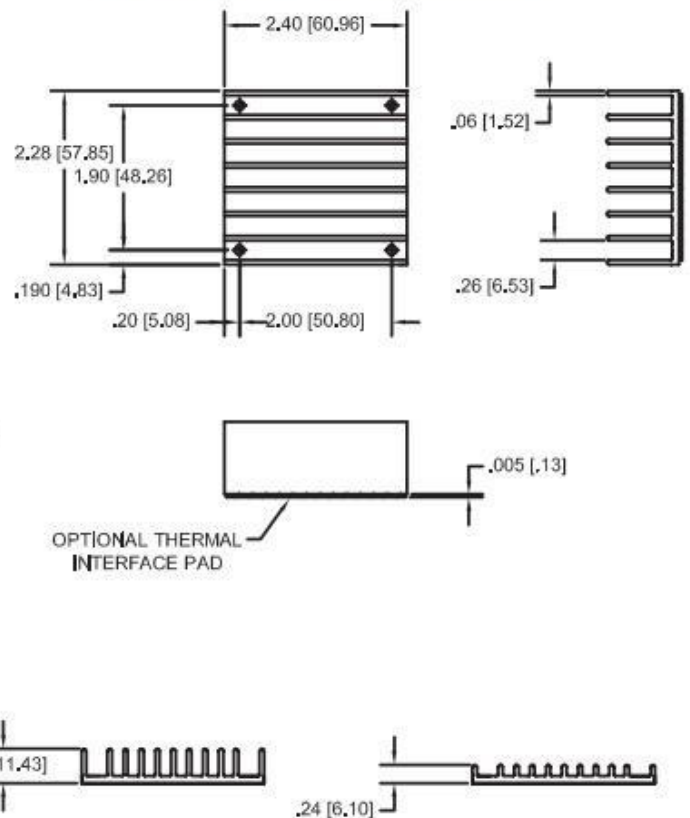
Standard P/N	Footprint Dimensions in. (mm)	Height in. (mm)	Fin Orientation	Number of Fins	THERMAL PERFORMANCE	
					Natural Convection Power Dissipation (Watts) 60°C Rise Heat Sink to Ambient	Forced Convection Thermal Resistance at 300 ft/min (C/W)
517-95AB	2.28 (57.9) x 2.40 (61.0)	0.95 (24.1)	Horizontal	8	11W	2.1
527-45AB	2.28 (57.9) x 2.40 (61.0)	0.45 (11.4)	Horizontal	11	7W	2.3
527-24AB	2.28 (57.9) x 2.40 (61.0)	0.24 (6.1)	Horizontal	11	5W	4.2
518-95AB	2.40 (61.0) x 2.28 (57.9)	0.95 (24.1)	Vertical	8	11W	2.2
528-45AB	2.40 (61.0) x 2.28 (57.9)	0.45 (11.4)	Vertical	11	7W	2.1
528-24AB	2.40 (61.0) x 2.28 (57.9)	0.24 (6.1)	Vertical	11	5W	3.5

Material: Aluminum, Black Anodized

517/527 SERIES DIMENSIONS



518/528 SERIES DIMENSIONS



Thermal Cooling Solutions from Smart to Finish

Quarter-Brick DC/DC Heat Sinks



537 & 547 Series

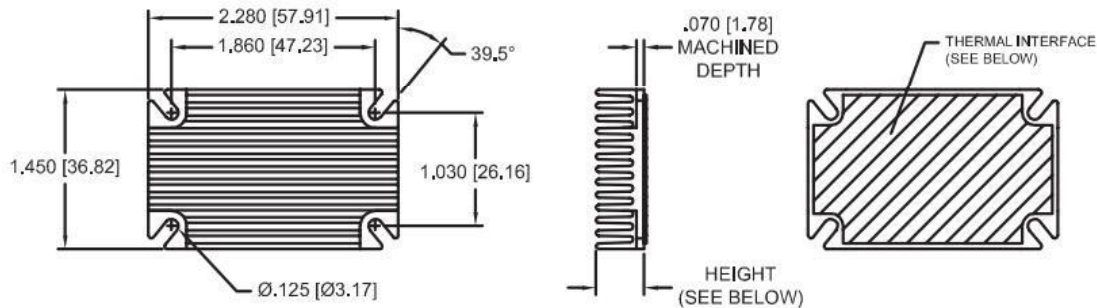
- Mounting slots accommodate two hole patterns: 1.86" x 1.03" and 2.00" x 1.20", fitting the vast majority of quarter brick converters on the market.
- Designed for optimum use in forced convection applications.
- Vertical and horizontal fin configurations available in a variety of fin heights.
- Black anodize finish standard.
- Integral thermal interface pad option eliminates need to order and install pad separately.
- Ordering a single part number with the hardware kit option provides everything necessary to keep your converter cool.



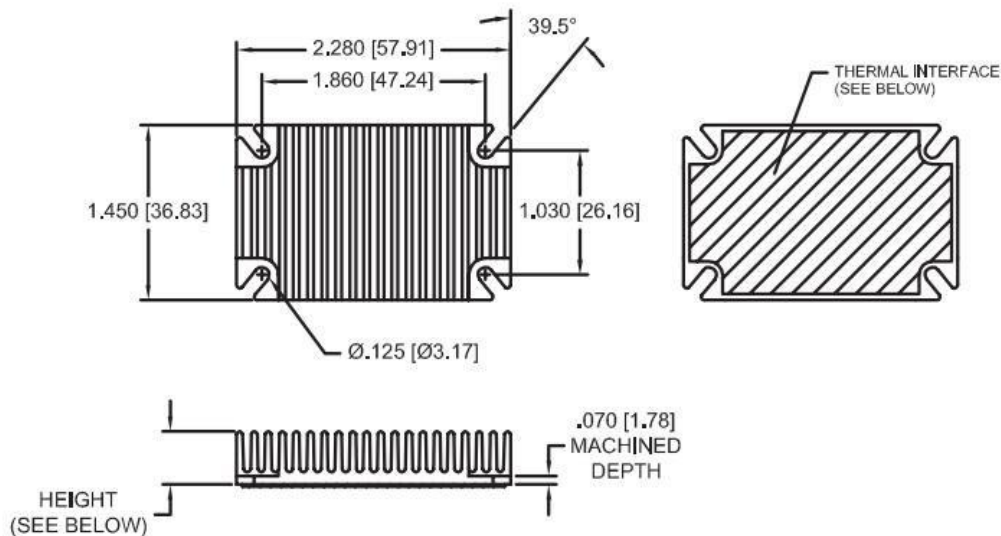
Quarter Brick 537/ 547 Series	
Manufacturer	Recommended Series
Artesyn	LQS
Artesyn	AIQ
Artesyn	AVO
Artesyn	AGQ
CUI	VQE
Ericsson	PKM
Ericsson	BMR
muRata	UVQ
muRata	UQQ
muRata	HPQ
muRata	UWQ
muRata	RBQ
power-one	UIS
power-one	UIQ
power-one	Q
TDK	PAQ
TDK	PH-A
TDK	iQE
TDK	iQL
TDK	iQG
TDK	iQB

Standard P/N	Footprint Dimensions in. (mm)	Height in. (mm)	Fin Orientation	Number of Fins	Forced Convection Thermal Resistance at 300 ft/min (C/W)
537-95AB	2.28 (57.9) x 1.45 (36.8)	0.95 (24.1)	Horizontal	8	2.1
537-45AB	2.28 (57.9) x 1.45 (36.8)	0.45 (11.4)	Horizontal	13	2.3
537-24AB	2.28 (57.9) x 1.45 (36.8)	0.24 (6.1)	Horizontal	14	4.2
547-95AB	1.45 (36.8) x 2.28 (57.9)	0.95 (24.1)	Vertical	11	2.2
547-45AB	1.45 (36.8) x 2.28 (57.9)	0.45 (11.4)	Vertical	20	2.1
547-24AB	1.45 (36.8) x 2.28 (57.9)	0.24 (6.1)	Vertical	22	3.5

Material: Aluminum, Black Anodized



547 SERIES DIMENSIONS

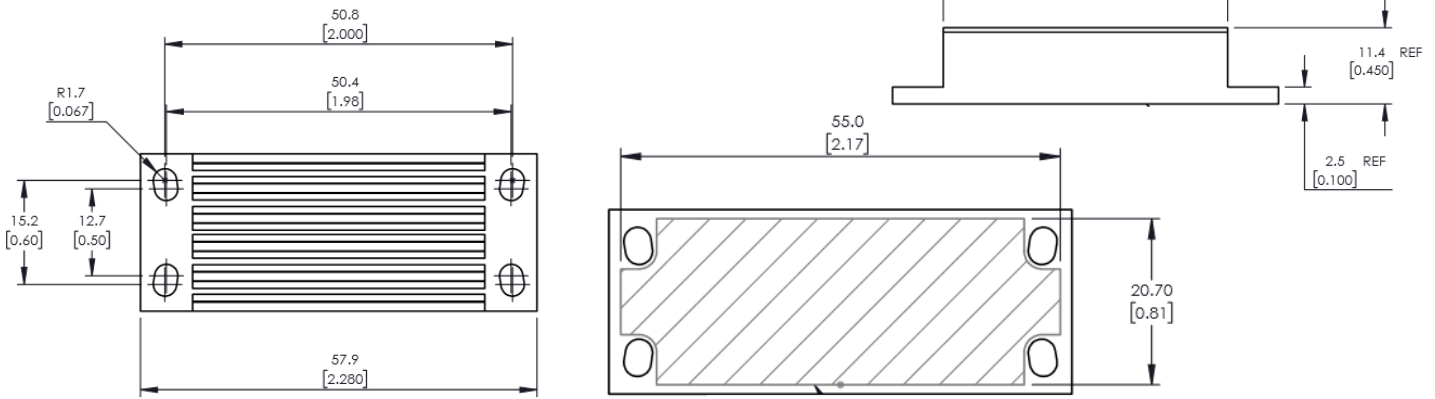


Thermal Cooling Solutions from Smart to Finish

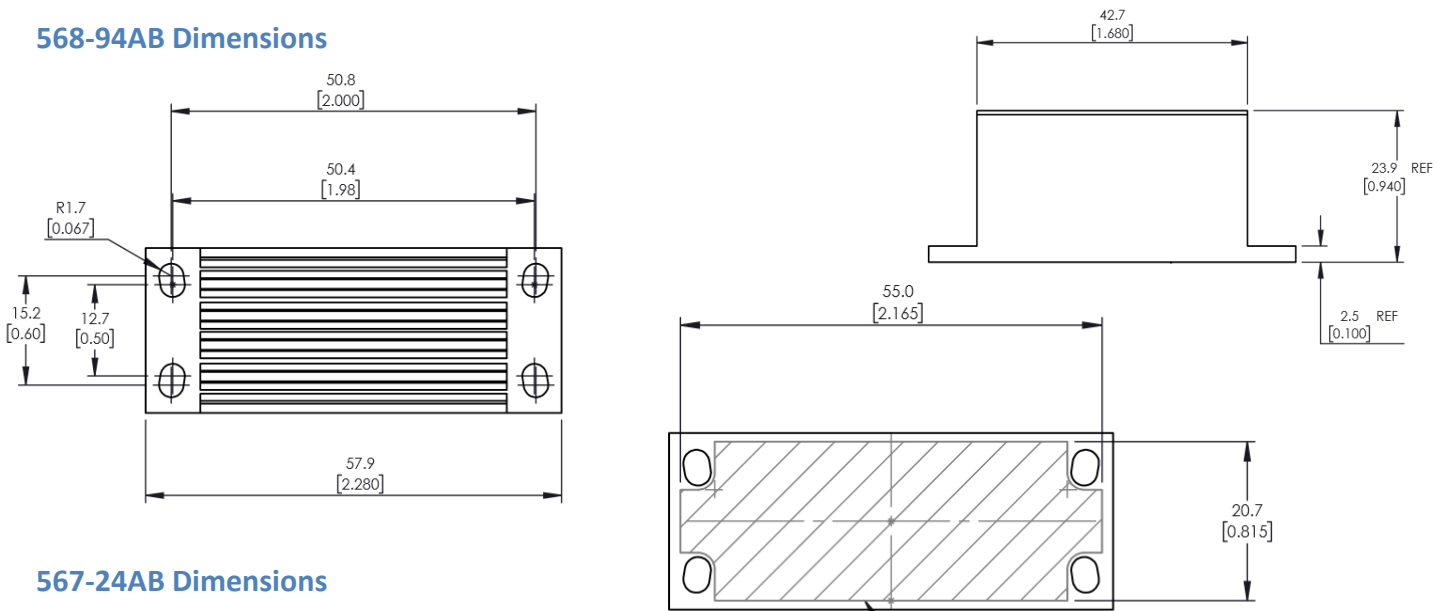
www.wakefield-vette.com

WKV Part Number	Length inches (mm)	Width inches (mm)	Fin Height inches (mm)	Number of Fins	Thermal Resistance [°C/W] @ 300 LFM
567-24AB	2.17 (55)	.81 (20.7)	.241 (6.1)	6	7.2
567-45AB	2.17 (55)	.81 (20.7)	.45 (11.4)	6	4.3
567-94AB	2.28 (57.9)	2.165 (55)	.94 (23.9)	6	2.2

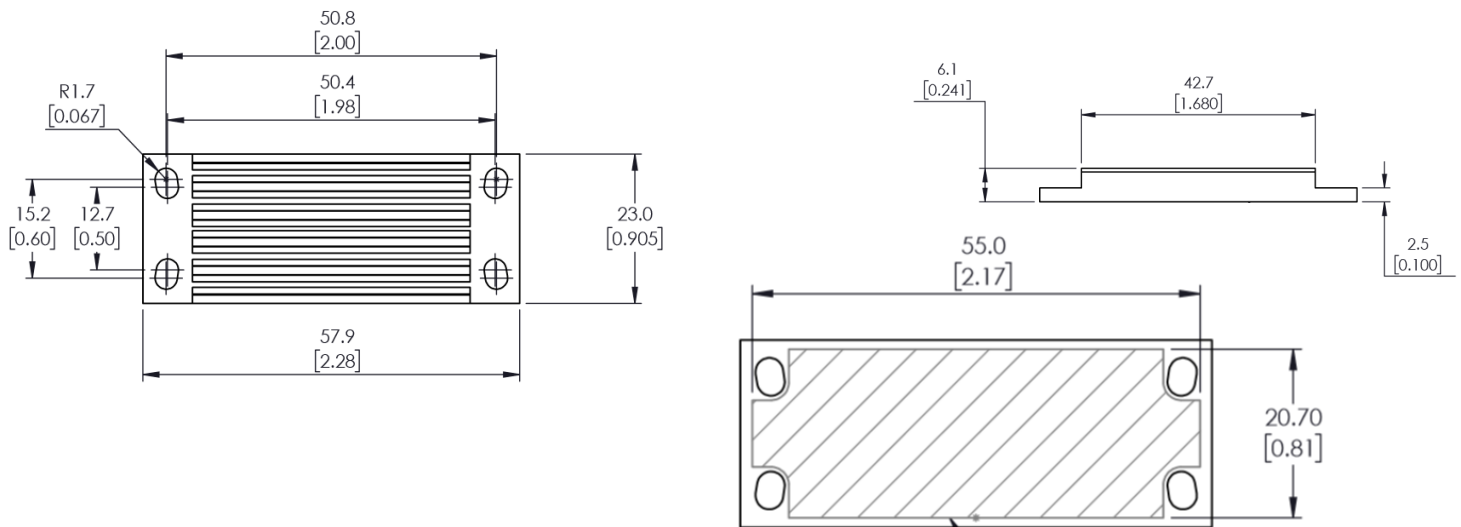
567-45AB Dimensions



568-94AB Dimensions



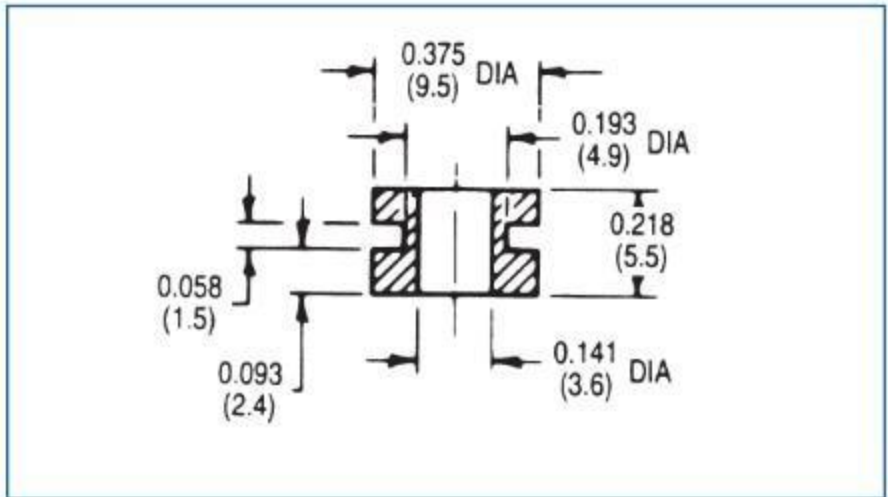
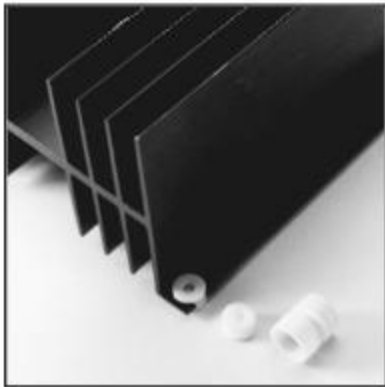
567-24AB Dimensions



100 SERIES Teflon Mounting Insulators

Standard P/N	Description	For Use with Series	Mounting Hardware	Material	Hipot Rating (VAC)	Weight lbs. (grams)
103	Spool-shaped insulator	300, 400, 600, 111, 113	#6-32 screw	Teflon	1500	0.00012 (0.05)
107	Spool-shaped insulator	300, 400, 600, 111, 113	#6-32 screw, nut	Teflon	5000	0.0034 (1.54)

103 SERIES



107 SERIES

