



Chipsmall Limited consists of a professional team with an average of over 10 year of expertise in the distribution of electronic components. Based in Hongkong, we have already established firm and mutual-benefit business relationships with customers from,Europe,America and south Asia,supplying obsolete and hard-to-find components to meet their specific needs.

With the principle of “Quality Parts,Customers Priority,Honest Operation,and Considerate Service”,our business mainly focus on the distribution of electronic components. Line cards we deal with include Microchip,ALPS,ROHM,Xilinx,Pulse,ON,Everlight and Freescale. Main products comprise IC,Modules,Potentiometer,IC Socket,Relay,Connector.Our parts cover such applications as commercial,industrial, and automotives areas.

We are looking forward to setting up business relationship with you and hope to provide you with the best service and solution. Let us make a better world for our industry!



## Contact us

Tel: +86-755-8981 8866 Fax: +86-755-8427 6832

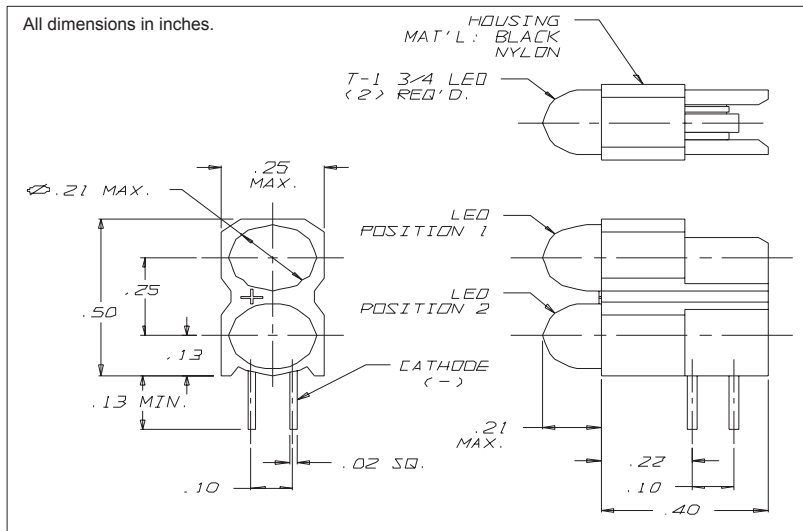
Email & Skype: info@chipsmall.com Web: www.chipsmall.com

Address: A1208, Overseas Decoration Building, #122 Zhenhua RD., Futian, Shenzhen, China



## 5670 Series T-1 3/4 Right Angle 2 High LED Assembly

### Description and Features



#### Features:

- Dual block mounting allows 2 LEDs in same board area.
- Single block mounting-height and spacing alignment, saves assembly cost.
- Super Brite LEDs, high light output, diffused lens.
- Low current, only 2 mA needed.
- Built-in resistor chip operates off 5 volt supply without external resistor.
- Standoffs prevent flux entrapment.

Housing: Black Nylon, UL94V-O

Alternate LEDs are also available in this package as a standard variation.

Refer to "Mounting Hole Pattern 4.pdf"

## Electro-Optical Characteristics and Ratings

Part Number	Emitted Color	Typical Intensity (mcd)	Rated Current (mA)	Continuous Forward Current Max. (mA)	Forward Voltage		Reverse Breakdown Voltage Min.(V)	Peak Wavelength (nm)	Peak Forward Current @ 1ms-300pps (A)
					Typ. (V)	Max. (V)			
5670H1;1	Red/Red	6.3	10	35	60	3.0	5	650	1.0
5670H3;3	Amber/Amber	10.0	10	35	60	3.0	5	608	1.0
5670H5;5	Green/Green	10.0	10	35	60	3.0	5	563	.09
5670H7;7	Yellow/Yellow	6.3	10	35	60	3.0	5	585	1.0

LED Color	LED Code	Typical Intensity (mcd)	Rated Current (mA)	Forward Current Max. (mA)	Forward Voltage		Reverse Breakdown Voltage Min. (V)	Peak Wavelength (nm)
					Typ. (V)	Max. (V)		
Red	1LC	2.3	2.0	7	1.8	2.2	5	635
Green	5LC	2.3	2.0	7	1.8	2.2	5	565
Yellow	7LC	2.1	2.0	7	1.9	2.7	5	583
Red	1-5V	8.0	10.0	15	5.0	7.5	5	635
Amber	3-5V	8.0	10.0	15	5.0	7.5	5	583
Green	5-5V	8.0	12.0	15	5.0	7.5	5	565
Red	1	6.3	10.0	60	2.0	3.0	5	650
Amber	3	10	10.0	60	2.0	3.0	5	608
Green	5	10	10.0	60	2.2	3.0	5	563
Yellow	7	6.3	10.0	60	2.1	3.0	5	585