



Chipsmall Limited consists of a professional team with an average of over 10 year of expertise in the distribution of electronic components. Based in Hongkong, we have already established firm and mutual-benefit business relationships with customers from,Europe,America and south Asia,supplying obsolete and hard-to-find components to meet their specific needs.

With the principle of “Quality Parts,Customers Priority,Honest Operation,and Considerate Service”,our business mainly focus on the distribution of electronic components. Line cards we deal with include Microchip,ALPS,ROHM,Xilinx,Pulse,ON,Everlight and Freescale. Main products comprise IC,Modules,Potentiometer,IC Socket,Relay,Connector.Our parts cover such applications as commercial,industrial, and automotives areas.

We are looking forward to setting up business relationship with you and hope to provide you with the best service and solution. Let us make a better world for our industry!



Contact us

Tel: +86-755-8981 8866 Fax: +86-755-8427 6832

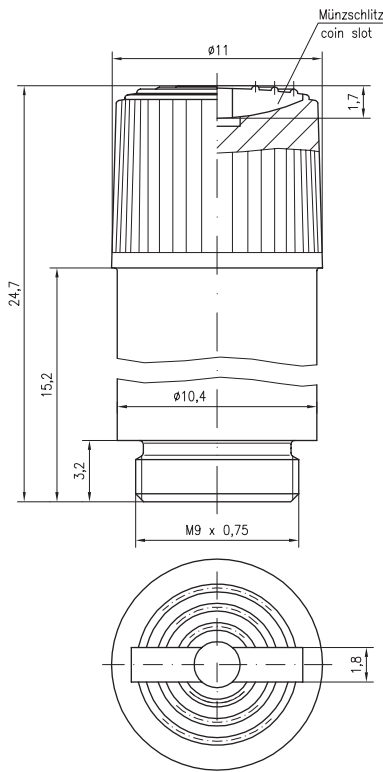
Email & Skype: info@chipsmall.com Web: www.chipsmall.com

Address: A1208, Overseas Decoration Building, #122 Zhenhua RD., Futian, Shenzhen, China



Cap / No. 568

for 6.3 x 32 mm Fuses



Specifications

Mounting

Screw thread in bus bar

Protection Class & Category

IP 40 (IEC 60529)

Materials

Cap: Thermoplastic (Polyamide PA 6.6), UL 94 V-0, black
 Metal Parts: Copper alloy, corrosion protected, nickel-plated

Electrical Data (23 °C)

Rated Voltage: 250 V
 Rated Current: 6.3 A

Operating Temperature

-25 °C to 70 °C (consider de-rating)

Stock Conditions

10 °C to 60 °C

Contact Resistance

≤ 5 mΩ

Unit weight

4,3 g (568) / 3,8 g (569)

Order Information

Packaging

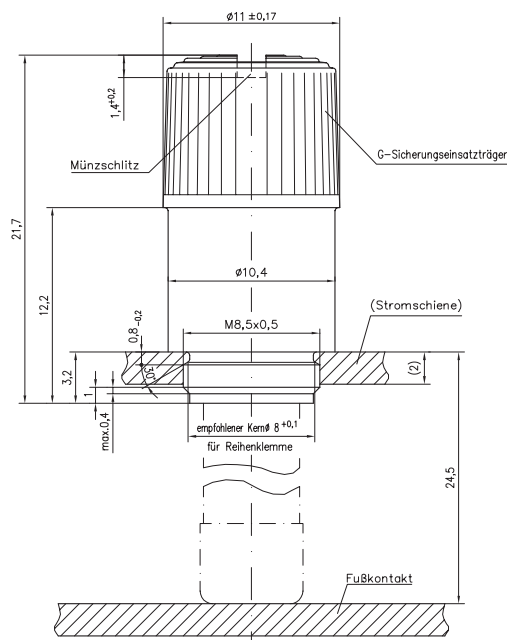
Bulk (1,000 pcs.)

Order Numbers

Cap, 6.3 x 32 mm No. 568 0000 001
 Cap, 6.3 x 32 mm No. 569 0000 001

Cap / No. 569

for 6.3 x 32 mm Fuses



Specifications are subject to change without notice

Note: 1.00 means the number one with two decimal places. 1,000 means the number one thousand.