



Chipsmall Limited consists of a professional team with an average of over 10 year of expertise in the distribution of electronic components. Based in Hongkong, we have already established firm and mutual-benefit business relationships with customers from,Europe,America and south Asia,supplying obsolete and hard-to-find components to meet their specific needs.

With the principle of “Quality Parts,Customers Priority,Honest Operation,and Considerate Service”,our business mainly focus on the distribution of electronic components. Line cards we deal with include Microchip,ALPS,ROHM,Xilinx,Pulse,ON,Everlight and Freescale. Main products comprise IC,Modules,Potentiometer,IC Socket,Relay,Connector.Our parts cover such applications as commercial,industrial, and automotives areas.

We are looking forward to setting up business relationship with you and hope to provide you with the best service and solution. Let us make a better world for our industry!



Contact us

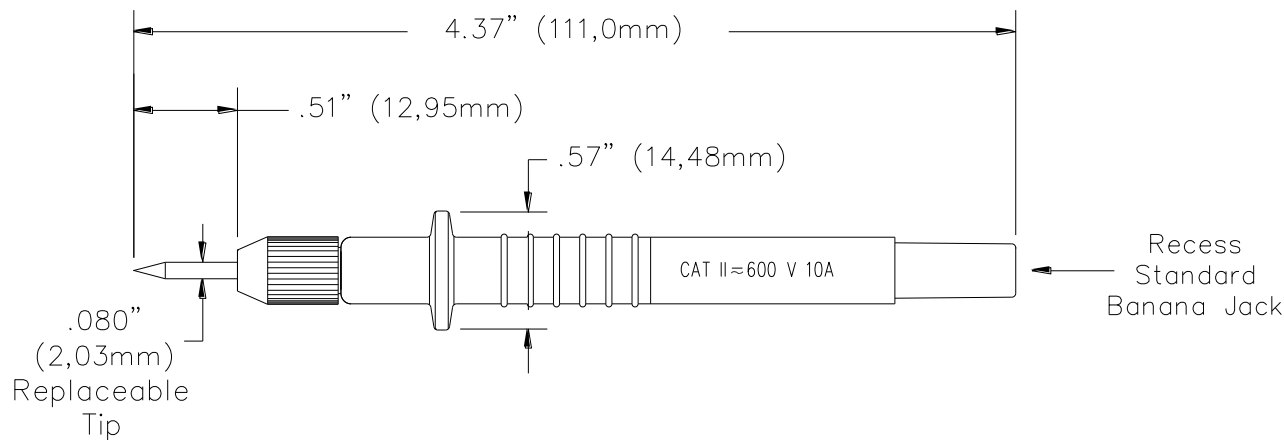
Tel: +86-755-8981 8866 Fax: +86-755-8427 6832

Email & Skype: info@chipsmall.com Web: www.chipsmall.com

Address: A1208, Overseas Decoration Building, #122 Zhenhua RD., Futian, Shenzhen, China



Model 5689A
Replaceable Tip Test Probe with Banana Jack



FEATURES:

- Modular Test Probe
- Replaceable tip
- Comes with two Stainless-Steel Sharp Point Tips: Model 4172

MATERIALS:

Replaceable Tip Probe: Stainless Steel
Tip O.D.: 0.080"
Body: Nylon

RATINGS:

Operating Voltage: 600 Vrms per IEC 61010-031, Category II.
Operating Current: 10 Amperes

ORDERING INFORMATION:

Model 5689A

Replaceable Tips:

- Model **5133**: SMD Microtip, Stainless-Steel Sharp Point
Model **6364**: Set of replaceable tips
- 5688: Standard
 - 4174: Stainless-Steel Sharp Point
 - 5133: SMD Microtip, Stainless-Steel Sharp Point
 - 4988: Needle Stainless-Steel Sharp Point

Modular Test Leads:

- Model 5907A: Right-Angle Banana Plug to Straight Banana Plug
Model 5908A: Straight Banana Plug to Straight Banana Plug
Model 5909A: Right-Angle Banana Plug to Right-Angle Banana Plug



USA: Sales: 800-490-2361
Technical Support: technicalsupport@pomonatest.com
Fax: 425-446-5844

Europe: 31-(0) 40 2675 150 **International:** 425-446-5500
Where to Buy: www.pomonaelectronics.com

All dimensions are in inches. Tolerances (except noted): .xx = ±.02" (.51 mm), .xxx = ±.005" (.127 mm). All specifications are to the latest revisions. Specifications are subject to change without notice. Registered trademarks are the property of their respective companies.