



Chipsmall Limited consists of a professional team with an average of over 10 year of expertise in the distribution of electronic components. Based in Hongkong, we have already established firm and mutual-benefit business relationships with customers from,Europe,America and south Asia,supplying obsolete and hard-to-find components to meet their specific needs.

With the principle of “Quality Parts,Customers Priority,Honest Operation,and Considerate Service”,our business mainly focus on the distribution of electronic components. Line cards we deal with include Microchip,ALPS,ROHM,Xilinx,Pulse,ON,Everlight and Freescale. Main products comprise IC,Modules,Potentiometer,IC Socket,Relay,Connector.Our parts cover such applications as commercial,industrial, and automotives areas.

We are looking forward to setting up business relationship with you and hope to provide you with the best service and solution. Let us make a better world for our industry!



Contact us

Tel: +86-755-8981 8866 Fax: +86-755-8427 6832

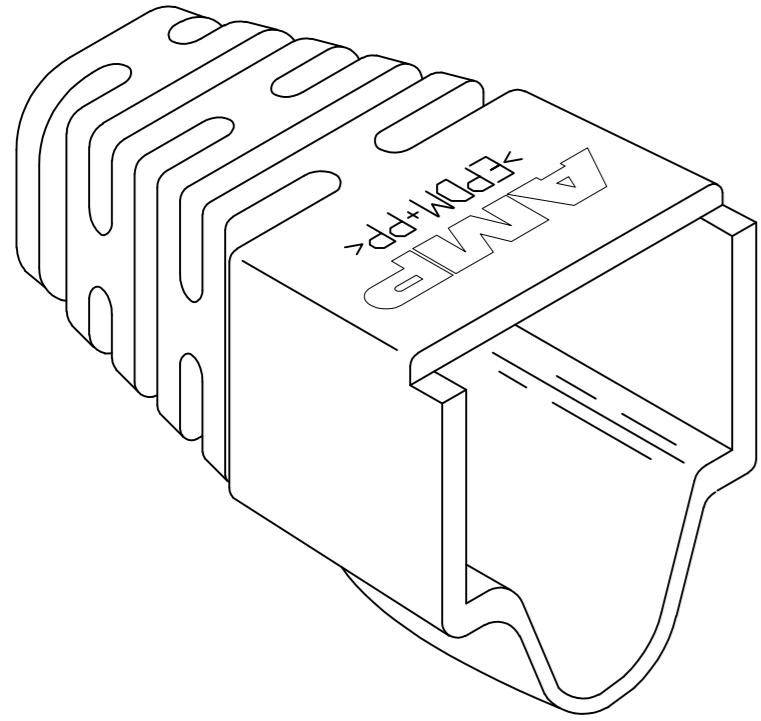
Email & Skype: info@chipsmall.com Web: www.chipsmall.com

Address: A1208, Overseas Decoration Building, #122 Zhenhua RD., Futian, Shenzhen, China

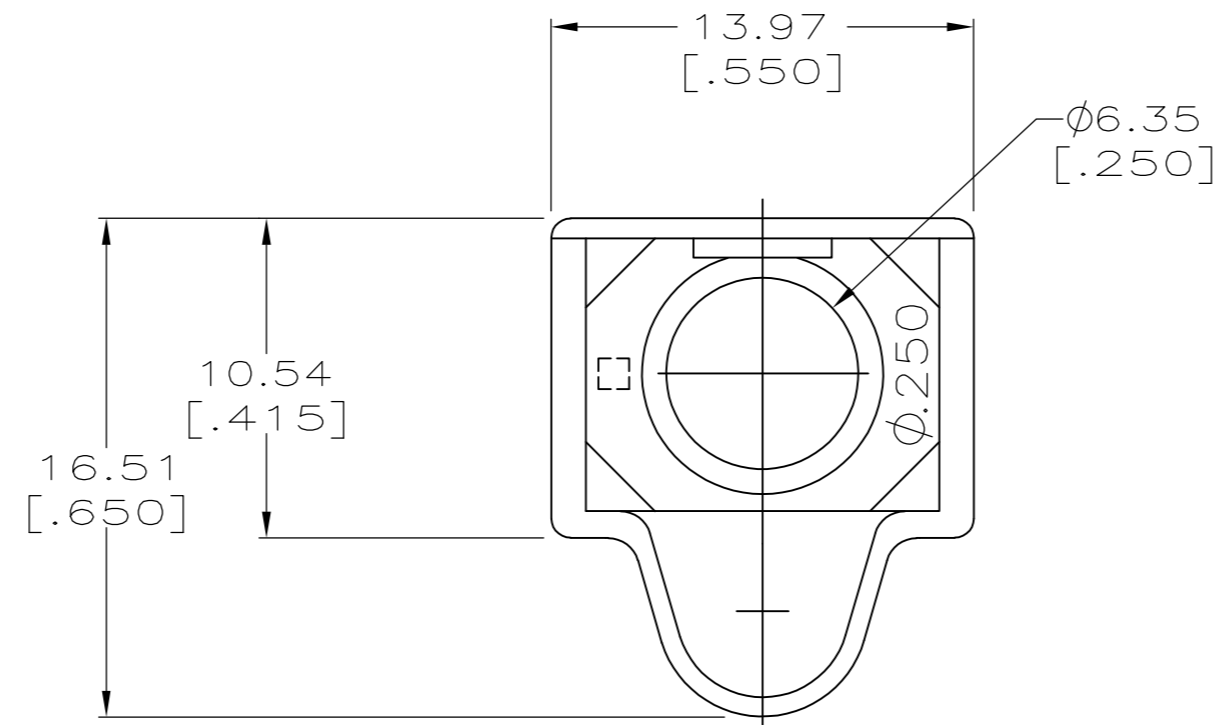
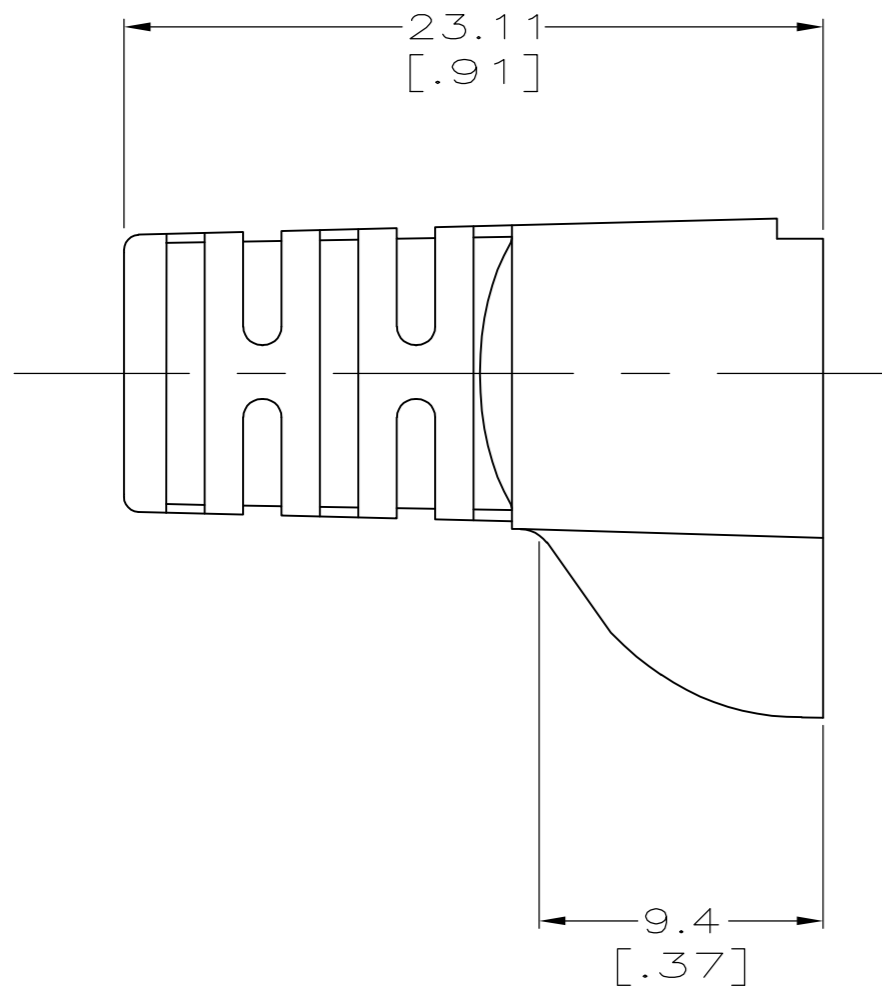


THIS DRAWING IS UNPUBLISHED. RELEASED FOR PUBLICATION
 © COPYRIGHT - By - ALL RIGHTS RESERVED.

LOC	DIST	REVISIONS					
		P	LTR	DESCRIPTION	DATE	DWN	APVD
AA	28	A1		REVISED PER ECO-11-005033	22MAR11	RK	HMR



- 1 MATERIAL: ELASTOMER POLYOLEFIN, SEE TABLE FOR COLOR.
- 2 DIMENSIONS ARE NOMINAL UNLESS OTHERWISE SPECIFIED.
- 3. BOOT DESIGNED TO FIT CABLE DIAMETER OF .250 NOMINAL, AMP SHIELDED MODULAR PLUGS AND EXTERNAL STRAIN RELIEF 558527-3.



NEMA GY	1-569877-0
VIOLET	569877-9
WHITE	569877-8
ORANGE	569877-7
YELLOW	569877-6
BLUE	569877-5
GREEN	569877-4
RED	569877-3
LT ALMOND	569877-2
BLACK	569877-1
COLOR	PART NUMBER

THIS DRAWING IS A CONTROLLED DOCUMENT.		DWN DL DRUMMOND 22 FEB 96	TE TE Connectivity			
DIMENSIONS: mm [INCHES]		CHK D. AHERON 07 MAR 96				
TOLERANCES UNLESS OTHERWISE SPECIFIED:		APVD B. ANTHONY 07 MAR 96	NAME BOOT, HOODED, Ø .250			
0 PLC ± -	1 2 3 4 PLC ± ± ± ± ANGLES ± -	PRODUCT SPEC	SIZE A2	CAGE CODE 00779	DRAWING NO C=569877	RESTRICTED TO -
MATERIAL		FINISH	APPLICATION SPEC	SCALE 4:1	SHEET 1 of 1	REV A1
MATERIAL		WEIGHT	CUSTOMER DRAWING			
MATERIAL		WEIGHT	CUSTOMER DRAWING			