



Chipsmall Limited consists of a professional team with an average of over 10 year of expertise in the distribution of electronic components. Based in Hongkong, we have already established firm and mutual-benefit business relationships with customers from,Europe,America and south Asia,supplying obsolete and hard-to-find components to meet their specific needs.

With the principle of “Quality Parts,Customers Priority,Honest Operation,and Considerate Service”,our business mainly focus on the distribution of electronic components. Line cards we deal with include Microchip,ALPS,ROHM,Xilinx,Pulse,ON,Everlight and Freescale. Main products comprise IC,Modules,Potentiometer,IC Socket,Relay,Connector.Our parts cover such applications as commercial,industrial, and automotives areas.

We are looking forward to setting up business relationship with you and hope to provide you with the best service and solution. Let us make a better world for our industry!



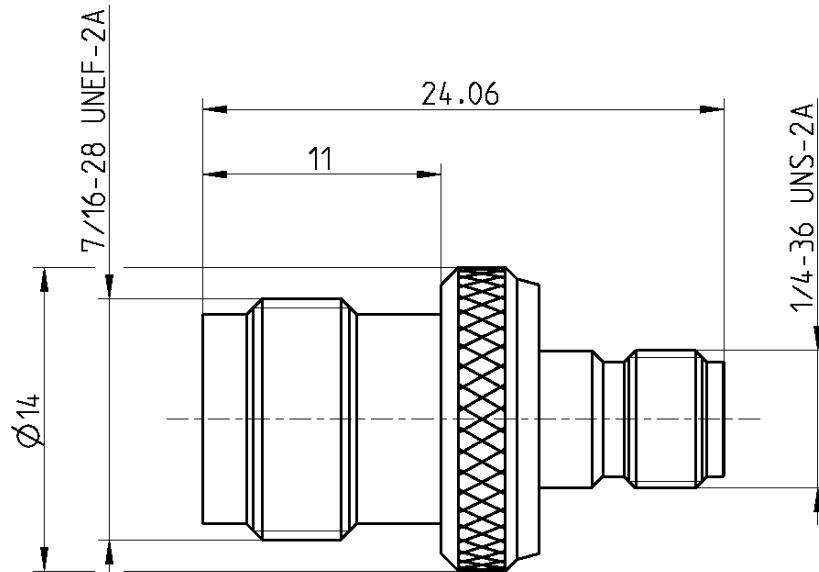
## Contact us

Tel: +86-755-8981 8866 Fax: +86-755-8427 6832

Email & Skype: info@chipsmall.com Web: www.chipsmall.com

Address: A1208, Overseas Decoration Building, #122 Zhenhua RD., Futian, Shenzhen, China





All dimensions are in mm; tolerances according to ISO 2768 m-H

**Interface**

|              |           |   |
|--------------|-----------|---|
| According to | TNC side: | IEC 60169-17, MIL-PRF-39012, DIN EN 122200      |
|              | SMA side: | IEC 60169-15; EN 122110; MIL-STD-348A, Fig. 310 |

**Documents**

N/A

**Material and plating**

**Connector parts**

- Center contact
- Outer contact TNC side
- Outer contact SMA side
- Dielectric

**Material**

- CuBe
- Brass
- CuBe or equiv.
- PTFE

**Plating**

- AuroDur®, gold plated
- Nickel, 2.5-5 µm
- AuroDur®, gold plated

Dieses Dokument ist urheberrechtlich geschützt • This document is protected by copyright • Rosenberger Hochfrequenztechnik GmbH & Co. KG

RF\_35/05.10/6.0

# Technical Data Sheet

# Rosenberger

TNC 50 Ω

ADAPTOR  
JACK – SMA JACK

**56K132-K00L5**

## Electrical data

|  |                        |                  |
|--|------------------------|------------------|
| Impedance                                      | 50 Ω                   |                  |
| Frequency                                      | DC to 10 GHz           |                  |
| Return loss                                    | ≥ 35 dB, DC to 2 GHz   |                  |
|  | ≥ 30 dB, 2 to 3 GHz    |                  |
|  | ≥ 25 dB, 3 to 4 GHz    |                  |
| Insertion loss                                 | ≤ 0.05 dB, DC to 4 GHz |                  |
| Insulation resistance                          | ≥ 5 GΩ                 |                  |
| Center contact resistance                      | ≤ 1.5 mΩ, TNC side;    | ≤ 3 mΩ, SMA side |
| Outer contact resistance                       | ≤ 1 mΩ, TNC side;      | ≤ 2 mΩ, SMA side |
| Test voltage (at sea level)                    | 1000 V rms             |                  |
| Working voltage (at sea level)                 | 480 V rms              |                  |
| Power handling (at 20 °C, sea level, VSWR 1.0) | ≤ 80 W @ 2 GHz         |                  |

## Mechanical data

|                                   |                      |                      |
|-----------------------------------|----------------------|----------------------|
| Mating cycles                     | TNC side<br>min. 500 | SMA side<br>min. 500 |
| Center contact captivation: axial | ≥ 27 N               |                      |
| Coupling test torque              | max. 1.7 Nm          | max. 1.7 Nm          |
| Recommended torque                | 0.46 Nm to 0.69 Nm   | 0.8 Nm to 1.1 Nm     |

## Environmental data

|                     |                                 |
|---------------------|---------------------------------|
| Temperature range   | -65°C to +165°C                 |
| Thermal shock       | MIL-STD-202, Meth. 107, Cond. B |
| Corrosion           | MIL-STD-202, Meth. 101, Cond. B |
| Vibration           | MIL-STD-202, Meth. 204, Cond. B |
| Shock               | MIL-STD-202, Meth. 213, Cond. G |
| Moisture resistance | MIL-STD-202, Meth. 106          |
| RoHS                | compliant                       |

## Tooling

N/A

## Suitable cables

N/A

## Weight

Weight 9.2 g/pce

While the information has been carefully compiled to the best of our knowledge, nothing is intended as representation or warranty on our part and no statement herein shall be construed as recommendation to infringe existing patents. In the effort to improve our products, we reserve the right to make changes judged to be necessary.

| Draft  | Date     | Approved          | Date     | Rev. | Engineering change number  | Name      | Date          |
|--|----------|-------------------|----------|------|--|-----------|---------------|
| Chr. Entsfellner   | 24/07/08 | Sa. Krautenbacher | 19.03.14 | e00  | 14-0352  | T. Krojer | 19.03.14      |
| Rosenberger Hochfrequenztechnik GmbH & Co. KG<br>P.O.Box 1260 D-84526 Tittmoning Germany<br>www.rosenberger.de |          |                   |          |      | Tel. : +49 8684 18-0<br>Fax : +49 8684 18-499<br>Email : info@rosenberger.de |           | Page<br>2 / 2 |