



Chipsmall Limited consists of a professional team with an average of over 10 year of expertise in the distribution of electronic components. Based in Hongkong, we have already established firm and mutual-benefit business relationships with customers from,Europe,America and south Asia,supplying obsolete and hard-to-find components to meet their specific needs.

With the principle of "Quality Parts,Customers Priority,Honest Operation,and Considerate Service",our business mainly focus on the distribution of electronic components. Line cards we deal with include Microchip,ALPS,ROHM,Xilinx,Pulse,ON,Everlight and Freescale. Main products comprise IC,Modules,Potentiometer,IC Socket,Relay,Connector.Our parts cover such applications as commercial,industrial, and automotives areas.

We are looking forward to setting up business relationship with you and hope to provide you with the best service and solution. Let us make a better world for our industry!



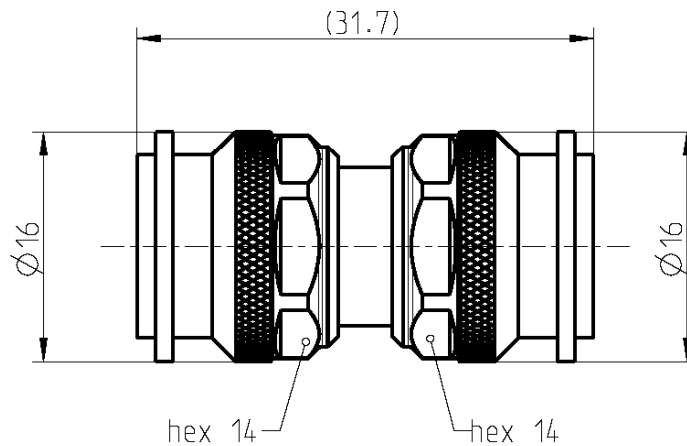
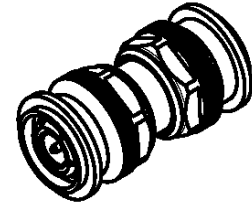
Contact us

Tel: +86-755-8981 8866 Fax: +86-755-8427 6832

Email & Skype: info@chipsmall.com Web: www.chipsmall.com

Address: A1208, Overseas Decoration Building, #122 Zhenhua RD., Futian, Shenzhen, China





All dimensions are in mm; tolerances according to ISO 2768 m-H

Interface

According to IEC 60169-17, MIL-PRF-39012, DIN EN 122200

Documents

N/A

Material and plating

Connector parts

Center contact
Outer contact
Body
Dielectric
Gasket

Material

Brass
Brass
Brass
PTFE
NeopreneCR 50C6

Plating

AuroDur®, gold plated
Flash white bronze over silver(e.g. Optargen®)
Flash white bronze over silver(e.g. Optargen®)

Dieses Dokument ist urheberrechtlich geschützt • This document is protected by copyright • Rosenberger Hochfrequenztechnik GmbH & Co. KG

RF_35/08.13/6.1

TNC 50 Ω ADAPTOR
PLUG - PLUG

56S101-S00N5

Electrical data

Impedance 50 Ω
 Frequency DC to 10 GHz
 Return loss ≥ 30 dB, DC to 1 GHz
 ≥ 28 dB, 1 to 2 GHz
 ≥ 18 dB, 2 to 4 GHz
 Insertion loss ≤ 0.05 x √ f [GHz] dB, DC to 4 GHz
 Insulation resistance ≥ 5 GΩ
 Center contact resistance ≤ 1.5 mΩ
 Outer contact resistance ≤ 1 mΩ
 Test voltage 1500 V rms
 Working voltage 500 V rms
 Power handling (at 20 °C, sea level, VSWR 1.0) ≤ 80 W @ 2 GHz

Mechanical data

Mating cycles ≥ 500
 Center contact captivation: axial ≥ 15 N
 Coupling test torque ≤ 1.7 Nm
 Recommended torque 0.46 Nm to 0.69 Nm

Environmental data

Temperature range -65 °C to +165 °C
 Thermal shock MIL-STD-202, Method 107, Condition B
 Corrosion MIL-STD-202, Method 101, Condition B
 Vibration MIL-STD-202, Method 204, Condition B
 Shock MIL-STD-202, Method 213, Condition G
 Moisture resistance MIL-STD-202, Method 106
 Degree of protection (mated pair) IEC 60529, IP63
 RoHS compliant

Tooling

N/A

Suitable cables

N/A

Weight

Weight 26.4 g/pce

While the information has been carefully compiled to the best of our knowledge, nothing is intended as representation or warranty on our part and no statement herein shall be construed as recommendation to infringe existing patents. In the effort to improve our products, we reserve the right to make changes judged to be necessary.

Draft	Date	Approved	Date	Rev.	Engineering change number	Name	Date
Inge Mühlauer	08.09.04	Sa. Krautenbacher	20.03.14	d00	14-0352	T. Krojer	20.03.14

Rosenberger Hochfrequenztechnik GmbH & Co. KG
 P.O.Box 1260 D-84526 Tittmoning Germany
 www.rosenberger.de

Tel. : +49 8684 18-0
 Fax : +49 8684 18-499
 Email : info@rosenberger.de

Page
2 / 2