



Chipsmall Limited consists of a professional team with an average of over 10 year of expertise in the distribution of electronic components. Based in Hongkong, we have already established firm and mutual-benefit business relationships with customers from,Europe,America and south Asia,supplying obsolete and hard-to-find components to meet their specific needs.

With the principle of “Quality Parts,Customers Priority,Honest Operation,and Considerate Service”,our business mainly focus on the distribution of electronic components. Line cards we deal with include Microchip,ALPS,ROHM,Xilinx,Pulse,ON,Everlight and Freescale. Main products comprise IC,Modules,Potentiometer,IC Socket,Relay,Connector.Our parts cover such applications as commercial,industrial, and automotives areas.

We are looking forward to setting up business relationship with you and hope to provide you with the best service and solution. Let us make a better world for our industry!



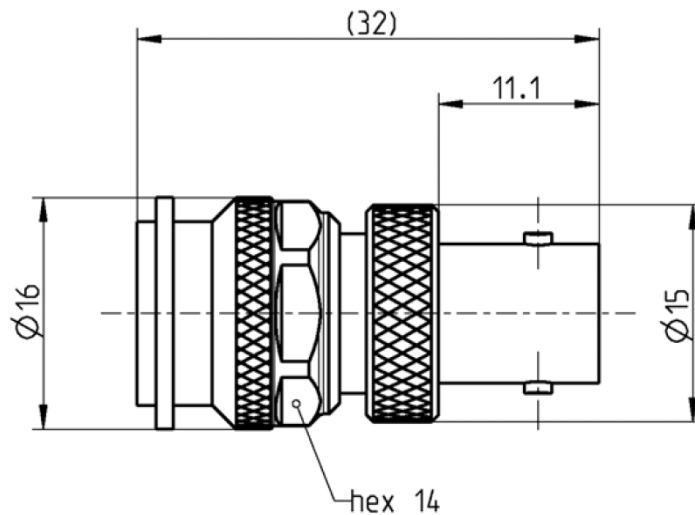
## Contact us

Tel: +86-755-8981 8866 Fax: +86-755-8427 6832

Email & Skype: info@chipsmall.com Web: www.chipsmall.com

Address: A1208, Overseas Decoration Building, #122 Zhenhua RD., Futian, Shenzhen, China





All dimensions are in mm; tolerances according to ISO 2768 m-H

**Interface**

According to	BNC side	IEC 61169-8, MIL-PRF-39012, CECC 22120
	TNC side	IEC 60169-17, MIL-PRF-39012, DIN EN 122200

**Documents**

N/A

**Material and plating**

**Connector parts**

- Center contact BNC and TNC side
- Outer contact BNC and TNC side
- Body
- Dielectric
- Gasket

**Material**

- CuBe
- Brass
- Brass
- PTFE
- NeopreneCR 50C6

**Plating**

- AuroDur®, gold plated
- Flash white bronze over silver(e.g. Optargen®)
- Flash white bronze over silver(e.g. Optargen®)

Dieses Dokument ist urheberrechtlich geschützt • This document is protected by copyright • Rosenberger Hochfrequenztechnik GmbH & Co. KG

RF\_35/08.13/6.1

ADAPTOR  
TNC 50Ω Plug - BNC 50Ω Jack

**56S151-K00N5**

**Electrical data**

Impedance 50 Ω  
 Frequency DC to 10 GHz  
 Return loss ≥ 35 dB @ DC to 1 GHz  
 ≥ 26 dB @ 1 GHz to 2 GHz  
 ≥ 18 dB @ 2 GHz to 4 GHz  
 Insertion loss ≤ 0.05 x √ f [GHz] dB, DC to 4 GHz  
 Insulation resistance ≥ 5 GΩ  
 Center contact resistance ≤ 1.5 mΩ BNC and TNC side  
 Outer contact resistance ≤ 1 mΩ BNC and TNC side  
 Test voltage (at sea level) 1500 V rms  
 Working voltage (at sea level) 500 V rms  
 Power handling (at 20 °C, sea level, VSWR 1.0) 80 W @ 2 GHz

**Mechanical data**

	BNC side	TNC side
Mating cycles	≥ 500	≥ 500
Center contact captivation: axial	≥ 15 N	≥ 15 N
Coupling test torque	N/A	≤ 1.7 Nm
Recommended torque	N/A	0.46 Nm to 0.69 Nm

**Environmental data**

Temperature range -65 °C to +165 °C  
 Thermal shock MIL-STD-202, Method 107, Condition B  
 Corrosion MIL-STD-202, Method 101, Condition B  
 Vibration MIL-STD-202, Method 204, Condition B  
 Shock MIL-STD-202, Method 213, Condition G  
 Moisture resistance MIL-STD-202, Method 106  
 RoHS compliant

**Tooling**

N/A

**Suitable cables**

N/A

**Weight**

Weight 22.6 g/pce

While the information has been carefully compiled to the best of our knowledge, nothing is intended as representation or warranty on our part and no statement herein shall be construed as recommendation to infringe existing patents. In the effort to improve our products, we reserve the right to make changes judged to be necessary.

Draft	Date	Approved	Date	Rev.	Engineering change number	Name	Date
Inge Mühlauer	10.08.04	Sa. Krautenbacher	20.03.14	f00	14-0352	T. Krojer	20.03.14
Rosenberger Hochfrequenztechnik GmbH & Co. KG P.O.Box 1260 D-84526 Tittmoning Germany www.rosenberger.de					Tel. : +49 8684 18-0 Fax : +49 8684 18-499 Email : info@rosenberger.de		Page 2 / 2