



Chipsmall Limited consists of a professional team with an average of over 10 year of expertise in the distribution of electronic components. Based in Hongkong, we have already established firm and mutual-benefit business relationships with customers from,Europe,America and south Asia,supplying obsolete and hard-to-find components to meet their specific needs.

With the principle of "Quality Parts,Customers Priority,Honest Operation,and Considerate Service",our business mainly focus on the distribution of electronic components. Line cards we deal with include Microchip,ALPS,ROHM,Xilinx,Pulse,ON,Everlight and Freescale. Main products comprise IC,Modules,Potentiometer,IC Socket,Relay,Connector.Our parts cover such applications as commercial,industrial, and automotives areas.

We are looking forward to setting up business relationship with you and hope to provide you with the best service and solution. Let us make a better world for our industry!



Contact us

Tel: +86-755-8981 8866 Fax: +86-755-8427 6832

Email & Skype: info@chipsmall.com Web: www.chipsmall.com

Address: A1208, Overseas Decoration Building, #122 Zhenhua RD., Futian, Shenzhen, China

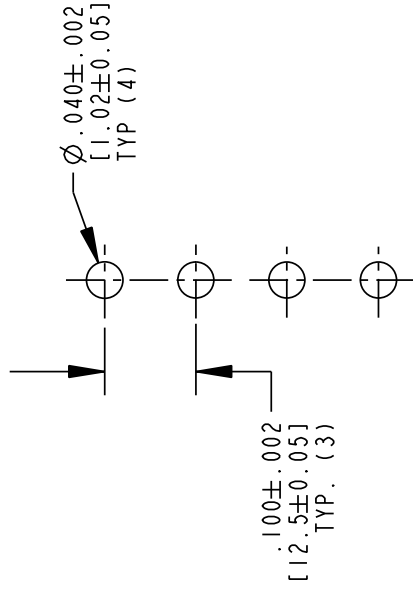
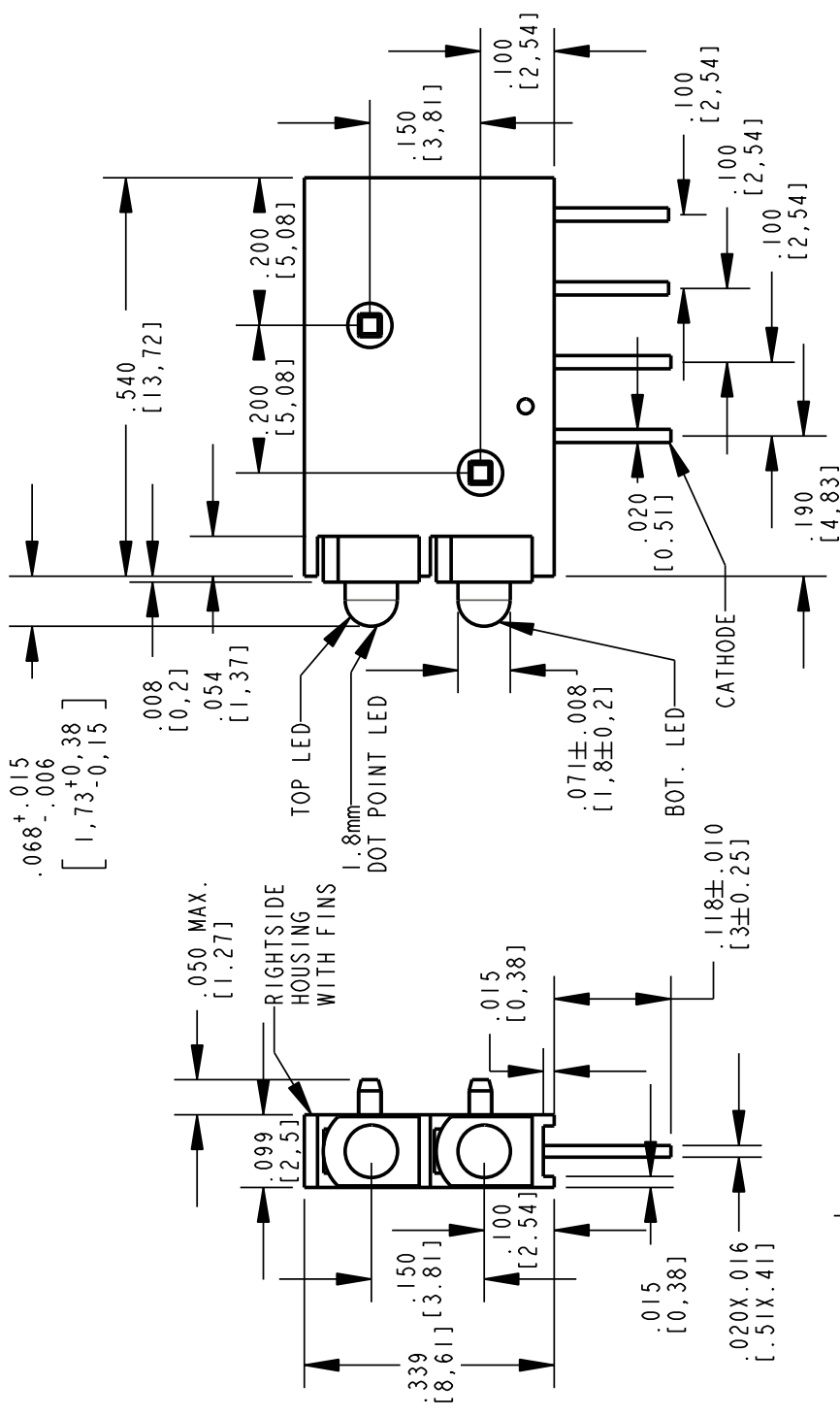
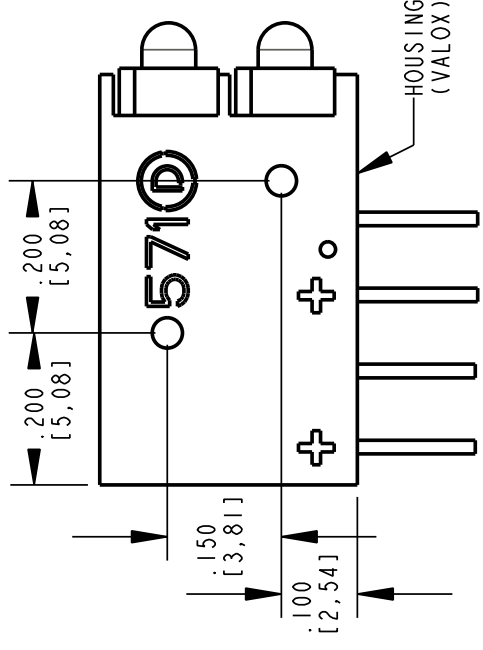


REV	ECN NO	REVISIONS	DRN	CKD	APP	DATE
A		NEW RELEASE	JLC			

ASSY. NO.	LED COLOR (DIFFUSED)	
	TOP POSITION	BOTTOM POSITION
571-0111-100F	RED	RED
571-0102-100F	BLANK	GREEN
571-0112-100F	RED	GREEN
571-0113-100F	RED	YELLOW
571-0120-100F	GREEN	BLANK
571-0122-100F	GREEN	GREEN
571-0123-100F	GREEN	YELLOW
571-0132-100F	YELLOW	GREEN
571-0133-100F	YELLOW	YELLOW

NOTES:

- LED LEAD DIMENSIONS ARE MEASURED AT HOUSING EXIT.
- PIN NUMBERS FOR REFERENCE ONLY. DESIGNATION NON-EXISTENT ON PARTS.
- PART NO. 571-01XX-100 WITH PINS (SEE CHART).



RECOMMENDED P.C.B. HOLE PATTERN



OPERATING CHARACTERISTICS AT 25°C AMBIENT

CHARACTERISTICS	COLOR	MIN	TYP	MAX	UNITS	TEST CONDITIONS
LUMINOUS INTENSITY	RED	8	15		mcd	I _F = 10 mA
	YELLOW	5	8			
	GREEN	5	10			
FORWARD VOLTAGE	RED	2.0	2.0	2.5	V	I _F = 20 mA
	YELLOW	2.1	2.1	2.5		
	GREEN	2.2	2.2	2.5		
DOMINANT WAVELENGTH	RED	625	625		nm	
	YELLOW	588	588			
	GREEN	568	568			
PEAK EMISSION WAVELENGTH	RED	627	627		nm	
	YELLOW	590	590			
	GREEN	565	565			
VIEWING ANGLE 2 θ 1/2	RED	70	70		Degree	
	YELLOW	70	70			
	GREEN	70	70			
CAPACITANCE	RED	15	15		pF	V _F = 0 V, f = 1 MHz
	YELLOW	20	20			
	GREEN	15	15			

	ABSOLUTE MAXIMUM RATING AT 25°C AMBIENT			UNITS
	RED	YELLOW	GREEN	
POWER DISSIPATION	105	105	105	mW
FORWARD CURRENT	30	30	25	mA
DERATING LINEAR FROM 25 °C	.40	.40	.33	mA/°C
REVERSE VOLTAGE	5			V
LEAD SOLDERING TEMPERATURE, 5 SEC., 1/16" FROM BODY	260			°C
OPERATING TEMPERATURE	-40 TO +85			°C
STORAGE TEMPERATURE	-40 TO +85			°C

THIS DRAWING AND THE CONTENTS HEREIN ARE CONFIDENTIAL AND THE SOLE PROPERTY OF DIALIGHT. REPRODUCTION OF THIS DRAWING OR CONSTRUCTION OF ANY PARTS WITHIN THIS DRAWING ARE FORBIDDEN WITHOUT THE WRITTEN CONSENT OF DIALIGHT.

SCALE: 4.000	DRAWING NUMBER	REV
ALL DIM'S IN: INCHES (MM)	C-17537	A
TOLERANCES: UNLESS OTHERWISE SPECIFIED	TITLE	1.8mm LED BI-LEVEL CBI
FRACTIONS: ±1/64	MATERIAL	RoHS COMPLIANT
DECIMALS (.XX): ±.01		
DECIMALS (.XXX): ±.005		
DECIMALS (.XXXX): ±.0005		
ANGLES: ±1°		
FINISH:		
FSCM 83330	SHEET 1 OF 1	FAMILY TABLE:
		Dialight 1501 ROUTE 34 SOUTH FARMINGDALE, NJ 07727