



Chipsmall Limited consists of a professional team with an average of over 10 year of expertise in the distribution of electronic components. Based in Hongkong, we have already established firm and mutual-benefit business relationships with customers from,Europe,America and south Asia,supplying obsolete and hard-to-find components to meet their specific needs.

With the principle of “Quality Parts,Customers Priority,Honest Operation,and Considerate Service”,our business mainly focus on the distribution of electronic components. Line cards we deal with include Microchip,ALPS,ROHM,Xilinx,Pulse,ON,Everlight and Freescale. Main products comprise IC,Modules,Potentiometer,IC Socket,Relay,Connector.Our parts cover such applications as commercial,industrial, and automotives areas.

We are looking forward to setting up business relationship with you and hope to provide you with the best service and solution. Let us make a better world for our industry!



Contact us

Tel: +86-755-8981 8866 Fax: +86-755-8427 6832

Email & Skype: info@chipsmall.com Web: www.chipsmall.com

Address: A1208, Overseas Decoration Building, #122 Zhenhua RD., Futian, Shenzhen, China



PRODUCT NUMBER

57102-XXX-XXXXLXLF

PLATING
 S = 0.38µm GOLD/GXT ON CONTACT AREA
 2µm MIN MATTE TIN ON TAIL
 G = 0.76µm GOLD/GXT ON CONTACT AREA
 2µm MIN MATTE TIN ON TAIL
 F = GOLD FLASH ON CONTACT AREA
 2µm MIN MATTE TIN ON TAIL

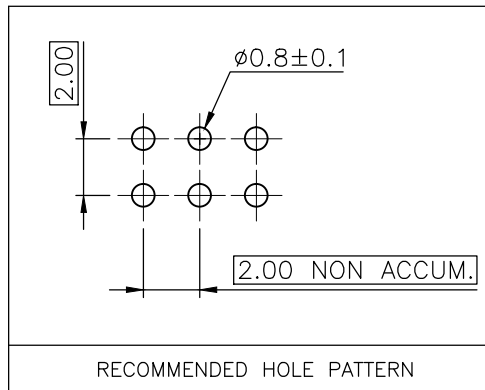
RoHS COMPATIBLE SEE NOTE 7
 POLARIZATION, SEE NOTE 6
 PACKAGING, SEE NOTE 5
 NB OF POSITIONS PER ROW: 02 TO 25 POS

PIN STYLE	POST LENGTH	TAIL LENGTH	OAL
02	2.00	2.50	6.00
04	2.00	3.00	6.50
06	4.00	2.50	8.00
08	4.00	3.00	8.50
10	6.00	3.00	10.50
12	5.71	4.37	11.58

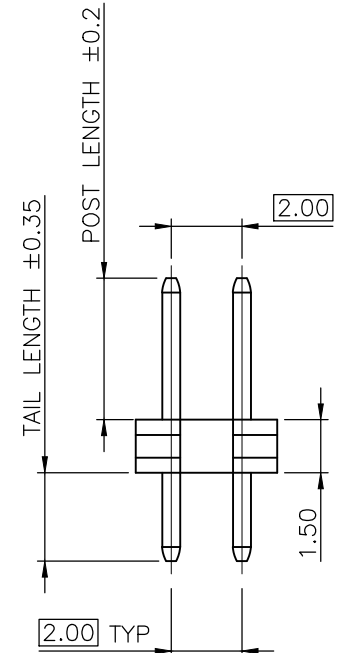
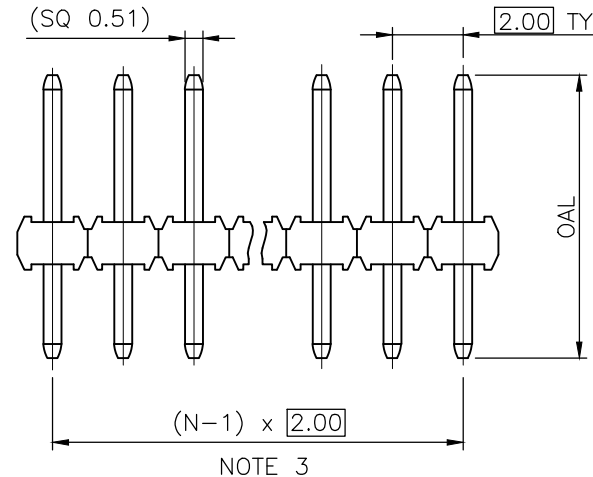
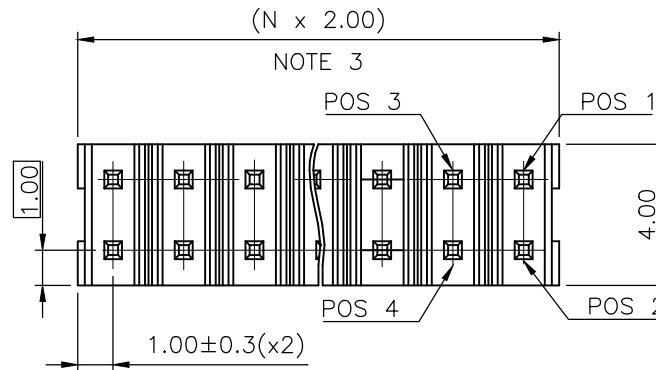
1.27µm MIN NICKEL UNDERPLATING

NOTES:

- MATERIAL HOUSING: HIGH TEMP. THERMOPLASTIC
UL 94V-0, COLOR BLACK
- MATERIAL TERMINAL: COPPER ALLOY
- TO DETERMINE DIMENSIONS:
N = NUMBER OF POSITIONS PER ROW
- 7N MIN. PIN RETENTION IN EITHER DIRECTION.
- PACKAGING:
 = STANDARD PACKAGING IN POLYBAGS
 - = PACKAGING POLYBAGS WHEN POLARIZATION FEATURE APPLICABLE
 U = TUBE AVAILABLE FROM 03 TO 25 POS PER ROW
- FOR POLARIZATION, SPECIFIED PIN
 EXAMPLE : 03 = OMIT PIN POSITION 3, SEE TOP VIEW
 OMIT FROM PRODUCT NUMBER IF THIS FEATURE IS NOT APPLICABLE
- RoHS COMPATIBLE PRODUCT SPECIFICATIONS
 - PLATING:
 - "LF" MEANS THE PRODUCT IS LEAD-FREE,
 2µm MINIMUM MATTE TIN OVER 1.27µm
 MINIMUM NICKEL UNDERPLATE.
 - MANUFACTURING PROCESS COMPATIBILITY
 - THE HOUSING WILL WITHSTAND EXPOSURE TO
 260°C ±5°C SOLDER BATH TEMPERATURE FOR
 5 SECONDS IN A WAVE SOLDER APPLICATION
 WITH A 1.6mm MIN THICK CIRCUIT BOARD.
 - COMPATIBLE TO REFLOW PROCESS 260°C MAX
 FOR 30 SECONDES
 - LABELLING:
 - MEETS PACKAGING SPECS AS PER GS-14-920
 - LEGAL STATEMENT : SEE GS-47-0004



TOP VIEW



mat'l. code		surface ISO 1302		tolerance ISO 406 ISO 101		projection mm		product family MINITEK	
ltr	ecn no	dr	date	tolerances unless otherwise specified		mm		title UNSH HEADER	
L	F12-0062	LMU	12.05.25	angles	linear	.X ±0.3	2.00 mm VERTICAL TMT		
M	B-19190	LMU	14.10.24			.XX ±0.13	scale 1:1		
N	B-19797	AMA	14.12.16			.XXX ±0.05	dwg no 57102 sheet 1 of 1 size A3		
P	B-19988	LMU	15.01.13	dr	L.MULIN	04.05.06	type CUSTOMER Drawing		
J	F08-0145	ELA	17.04.08	chr	engr J.COMPAGNON	04.11.25	FCJ		
K	F11-0026	JCO	11.05.12	appd	JM.C	04.11.25			
sheet index	revision sheet								