



Chipsmall Limited consists of a professional team with an average of over 10 year of expertise in the distribution of electronic components. Based in Hongkong, we have already established firm and mutual-benefit business relationships with customers from,Europe,America and south Asia,supplying obsolete and hard-to-find components to meet their specific needs.

With the principle of "Quality Parts,Customers Priority,Honest Operation,and Considerate Service",our business mainly focus on the distribution of electronic components. Line cards we deal with include Microchip,ALPS,ROHM,Xilinx,Pulse,ON,Everlight and Freescale. Main products comprise IC,Modules,Potentiometer,IC Socket,Relay,Connector.Our parts cover such applications as commercial,industrial, and automotives areas.

We are looking forward to setting up business relationship with you and hope to provide you with the best service and solution. Let us make a better world for our industry!



Contact us

Tel: +86-755-8981 8866 Fax: +86-755-8427 6832

Email & Skype: info@chipsmall.com Web: www.chipsmall.com

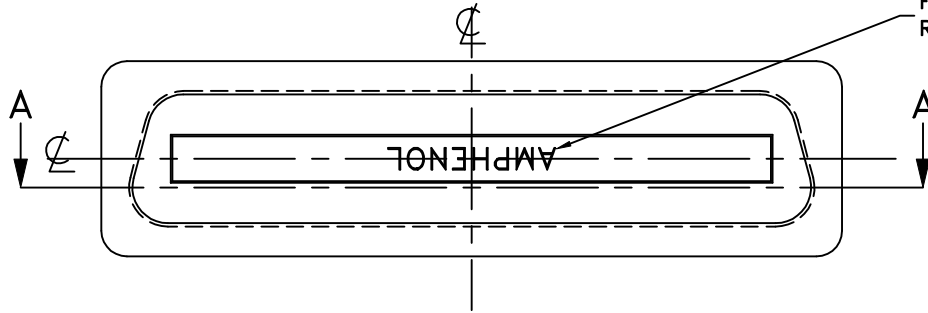
Address: A1208, Overseas Decoration Building, #122 Zhenhua RD., Futian, Shenzhen, China



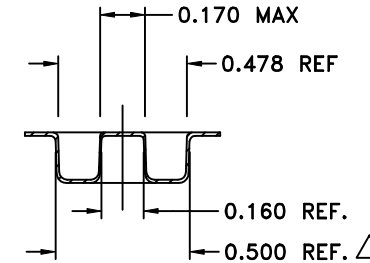
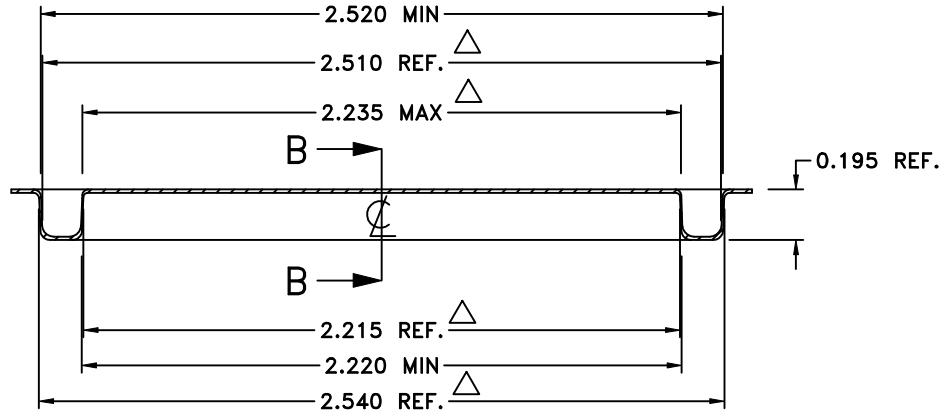
This document is the property of Amphenol Corporation and is delivered on the express condition that it is not to be disclosed, reproduced or used, in whole or in part, for manufacture or sale by anyone other than Amphenol Corporation without its prior consent, & that no right is granted to disclose or to use any information in this document.

REVISIONS				
SYM	ECN	DESCRIPTION	DATE	APPROVED
A	HK	RELEASE FOR CUSTOMER	03/04/02	Y.M.LEE

FORMED, 3/32 HIGH CHAR'S
RAISED 0.004/0.010

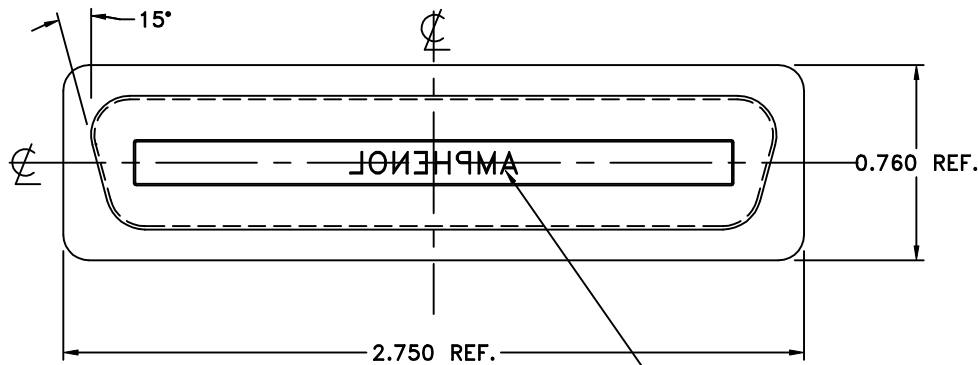


CUSTOMER INFORMATION DRAWING



SECTION VIEW B-B

SECTION VIEW A-A



FORMED, 3/32 HIGH CHAR'S
RECESSED 0.004/0.010

NOTES :

1. MATERIAL : PVC 0.0157" THICK.
2. DIMS. MARKED Δ TO BE SYMMETRICAL AROUND RESPECTIVE ϕ WITHIN 0.005 T.I.R.
3. PARTS TO BE CHECKED FOR PROPER; FORM , FIT AND FUNCTION USING 57 OR 157 SERIES "50" SIZE RECEPTACLE CONN. AND PLUG CONNECTOR, (SNUG FIT REQUIRED, LOOSE FIT IS NOT ACCEPTABLE).
4. MATERIAL IS CLEAR OR TRANSPARENCE.
5. PART TO BE FREE OF MAT'L VOIDS.
6. PACKAGING: BULK PACK INTO A CLEAR PLASTIC BAG.

ITEM NO	PART OR IDENTIFICATION NO	NOMENCLATURE OR DESCRIPTION	QTY REQ'D
PARTS LIST			
UNLESS OTHERWISE SPECIFIED TOLERANCES		APPROVAL	DATE
U.S. METRIC		DRAWN Y.M. LEE	03/04/02
.X +/-		CHECKED Y.M. LEE	03/04/02
.XX +/-		CHECKED	
.XXX +/-			
FRACTIONS +/-			
ANGLES +/-			
FOR MATERIALS AND FINISHES SEE NOTES		DRAWING FILE :	
REMOVE SHARP EDGES		ANGLE OF PROJECTION	
DIMENSIONS			
U.S. INCHES			
(METRIC) (MM)			
Amphenol Amphenol East Asia Limited Manufacturing Operation			
TITLE UNIVERSAL DUST COVER FOR 57 & 157 SERIES 50 SIZE PLUG OR RECEPTACLE CONNECTORS			
SIZE	DRAWING NO.	REV.	
A3	C57-1763P	A	
SCALE	NONE	SHEET 1 OF 1	