



Chipsmall Limited consists of a professional team with an average of over 10 year of expertise in the distribution of electronic components. Based in Hongkong, we have already established firm and mutual-benefit business relationships with customers from,Europe,America and south Asia,supplying obsolete and hard-to-find components to meet their specific needs.

With the principle of “Quality Parts,Customers Priority,Honest Operation,and Considerate Service”,our business mainly focus on the distribution of electronic components. Line cards we deal with include Microchip,ALPS,ROHM,Xilinx,Pulse,ON,Everlight and Freescale. Main products comprise IC,Modules,Potentiometer,IC Socket,Relay,Connector.Our parts cover such applications as commercial,industrial, and automotives areas.

We are looking forward to setting up business relationship with you and hope to provide you with the best service and solution. Let us make a better world for our industry!



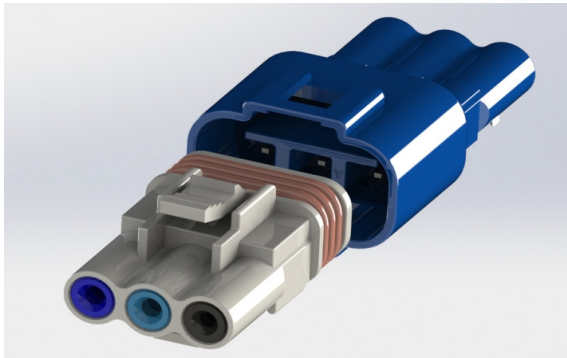
## Contact us

Tel: +86-755-8981 8866 Fax: +86-755-8427 6832

Email & Skype: info@chipsmall.com Web: www.chipsmall.com

Address: A1208, Overseas Decoration Building, #122 Zhenhua RD., Futian, Shenzhen, China





- 5.8mm Pitch, Rated Current: 10A max
- Fully Waterproof with Double Latch Solution
- Available in Wire-to-Wire and Wire-to-Board Options
- Seals preassembled into housing; no external sealing required available in 1, 2, or 3 Positions
- True Crimp and Poke Solution
- Internal Polarization to Prevent Mismatching
- Available with wire already installed
- Wide range of wire sizes available
- Waterproof Grade IP67 Certified



### Specifications:

No. of Positions	1, 2, 3P
Pitch	5.8mm
Rated Voltage	300V
Rated Current	10A max
Withstanding Voltage	1700V AC (rms)
Contact Resistance	10 mΩ max
Insulation Resistance	1000 MΩ min./DC500V
Temperature Range	-40°C to +105°C
PCB Thickness	1.6mm

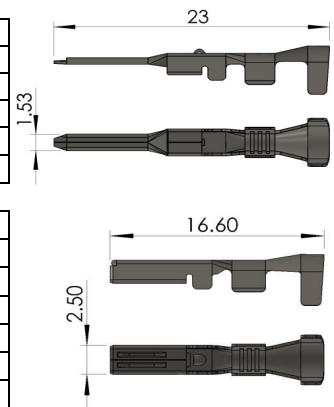
### Materials:

Crimp & Poke	Housing	PBT, UL 94V-0
	Contact	Ph. Brz. or Brass
PCB Header	Housing	PBT with Glass, UL 94V-0
	Contact	Brass
Contact Plating		Tin Plating
Wire & Housing Seals		Silicone Rubber

### Crimp Contact:

Male Contact (Pin)			
Part No (Material)	AWG#	Ins. Dia.	Pcs/Reel
570-290-751 (Brass)	14	Max. Ø3.1	4,000
570-291-731 (Ph. Brz.)	20-16	Max. Ø3.1	4,000
570-290-731 (Brass)	20-16	Max. Ø3.1	4,000
570-290-711 (Brass)	22-20	Max. Ø2.7	4,000

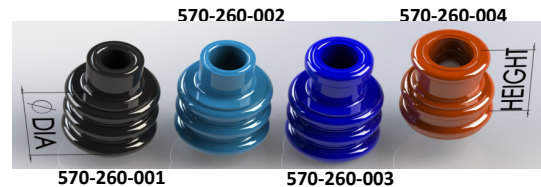
Female Contact (Socket)			
Part No (Material)	AWG#	Ins. Dia.	Pcs/Reel
570-290-761 (Brass)	14	Max. Ø3.1	4,000
570-291-741 (Ph. Brz.)	20-16	Max. Ø3.1	4,000
570-290-741 (Brass)	20-16	Max. Ø3.1	4,000
570-291-721 (Ph. Brz.)	22-20	Max. Ø2.7	4,000
570-290-721 (Brass)	22-20	Max. Ø2.7	4,000



\*\*Crimp Contacts are also available in strips of 40pcs.  
Contact EDAC for more information.  
\*\*Housing seals are already pre-assembled in the connector.

### Wire Seal:

Part No.	Wire O.D.	Color	AWG#	Ø Dia.	Height
570-260-001	Ø1.7~Ø2.1	Black	22	Ø 5.0	6.0
570-260-002	Ø2.1~Ø2.7	Light Blue	22-20	Ø 5.0	6.0
570-260-003	Ø2.1~Ø2.7	Blue	22-20	Ø 5.0	6.7
570-260-004	Ø2.7~Ø3.1	Brown	20-14	Ø 4.9	5.0



### Ordering Guide:

**572-002-000-100**

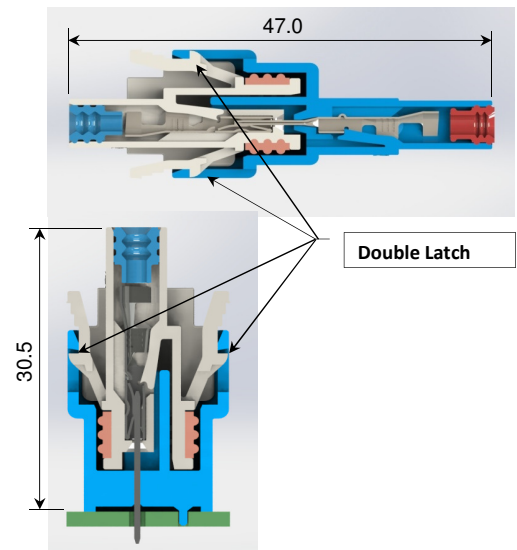
SERIES: \_\_\_\_\_  
572, WIRE TO WIRE  
WIRE TO BOARD

NO. OF CONTACTS: \_\_\_\_\_  
001 - 1 CONTACT  
002 - 2 CONTACTS  
003 - 3 CONTACTS

CONTACT CODE: \_\_\_\_\_  
000 - NO CONTACTS (ONLY FOR CRIMP CONTACTS)  
420 - BOARD MOUNT CONTACTS

STYLE: \_\_\_\_\_  
101 - WHITE MALE HOUSING (ONLY FOR BOARD MOUNT CONTACTS)  
301 - BLUE MALE HOUSING (ONLY FOR BOARD MOUNT CONTACTS)  
100 - WHITE MALE HOUSING FOR CRIMP CONTACTS  
300 - BLUE MALE HOUSING FOR CRIMP CONTACTS  
200 - WHITE FEMALE HOUSING FOR CRIMP CONTACTS  
400 - BLUE FEMALE HOUSING FOR CRIMP CONTACTS

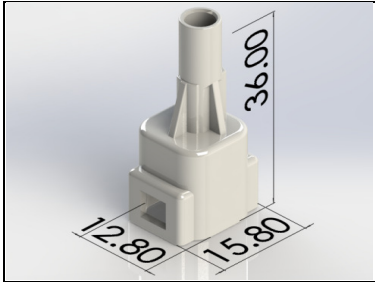
### Assembly Layout



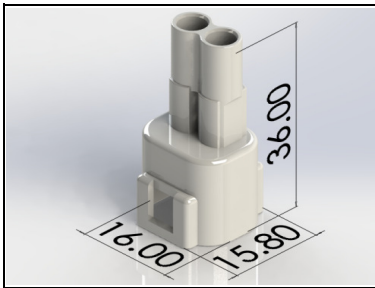
### Wire to Wire / Wire to Board 5.8mm Pitch

#### Male Housing:

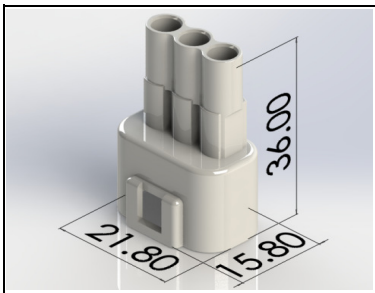
572-001-000-XXX



572-002-000-XXX

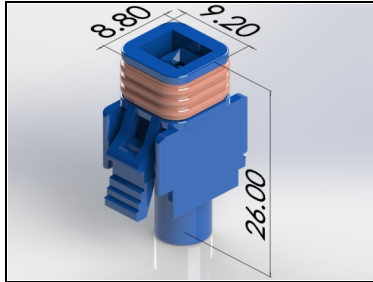


572-003-000-XXX

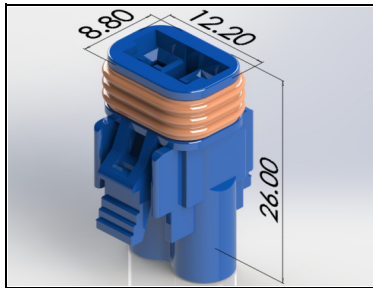


#### Female Housing:

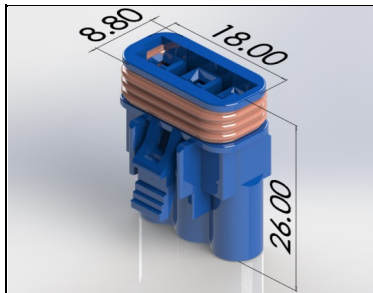
572-001-000-YYY



572-002-000-YYY

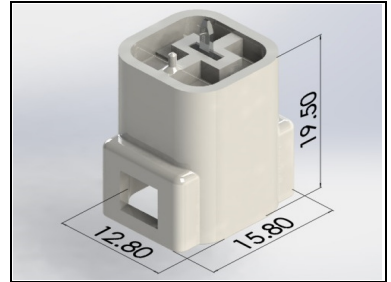


572-003-000-YYY

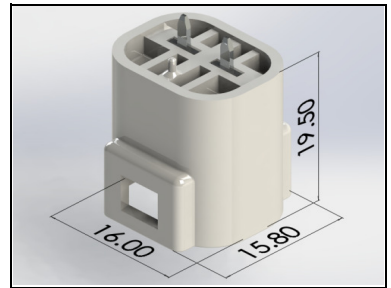


#### PCB Header

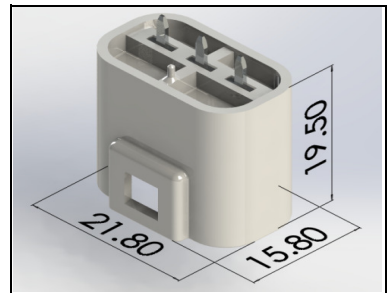
572-001-420-XXX



572-002-420-XXX



572-003-420-XXX



#### Male Housing:

Housing Color	XXX
White	100
Blue	300

#### Female Housing:

Housing Color	YYY
White	200
Blue	400

#### PCB Header

Housing Color	XXX
White	101
Blue	301