



Chipsmall Limited consists of a professional team with an average of over 10 year of expertise in the distribution of electronic components. Based in Hongkong, we have already established firm and mutual-benefit business relationships with customers from,Europe,America and south Asia,supplying obsolete and hard-to-find components to meet their specific needs.

With the principle of “Quality Parts,Customers Priority,Honest Operation,and Considerate Service”,our business mainly focus on the distribution of electronic components. Line cards we deal with include Microchip,ALPS,ROHM,Xilinx,Pulse,ON,Everlight and Freescale. Main products comprise IC,Modules,Potentiometer,IC Socket,Relay,Connector.Our parts cover such applications as commercial,industrial, and automotives areas.

We are looking forward to setting up business relationship with you and hope to provide you with the best service and solution. Let us make a better world for our industry!



Contact us

Tel: +86-755-8981 8866 Fax: +86-755-8427 6832

Email & Skype: info@chipsmall.com Web: www.chipsmall.com

Address: A1208, Overseas Decoration Building, #122 Zhenhua RD., Futian, Shenzhen, China



PRODUCT NUMBER
57202-XXX-XXXXXLF

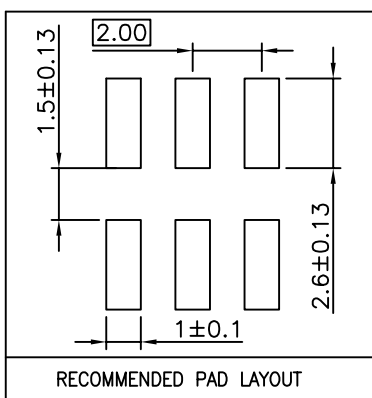
PLATING
S = 0.38µm GOLD/GXT ON CONTACT AREA
2µm MIN MATTE TIN ON TAIL
G = 0.76µm GOLD/GXT ON CONTACT AREA
2µm MIN MATTE TIN ON TAIL
F = GOLD FLASH ON CONTACT AREA
2µm MIN MATTE TIN ON TAIL
T = 2-6.0µm FULL MATTE TIN
1.27µm MIN NICKEL UNDERPLATING

RoHS COMPATIBLE
SEE NOTE 7
POLARIZATION, SEE NOTE 6
PACKAGING, SEE NOTE 5
NB OF POS PER ROW : 02 TO 25

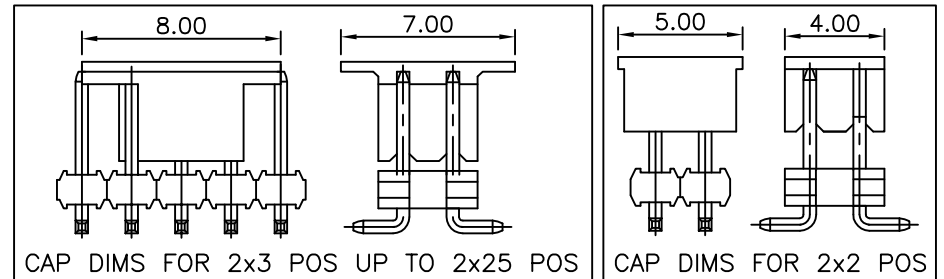
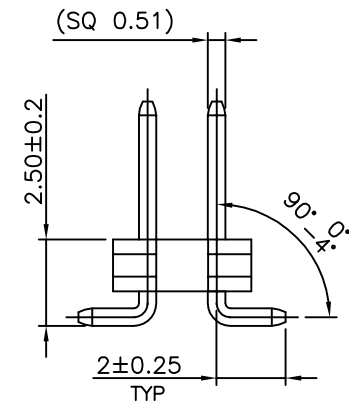
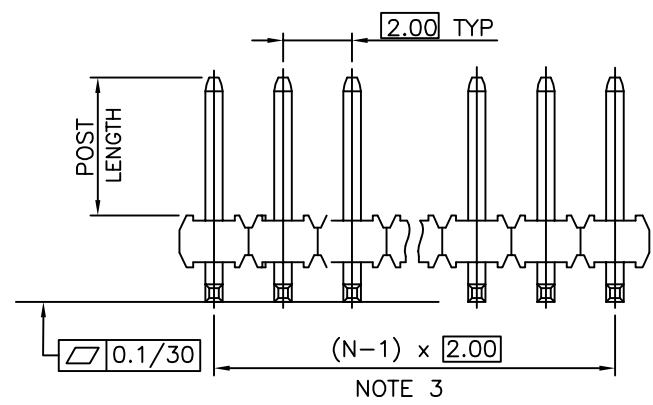
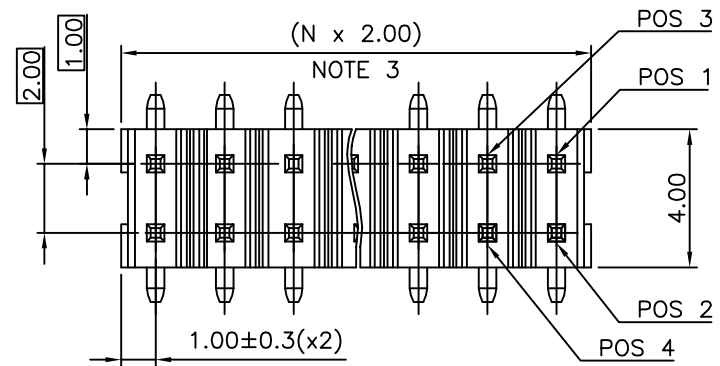
STYLE	POST LENGTH ±0.2
51	2.00
52	4.00
53	3.50
54	2.50

NOTES:

- MATERIAL HOUSING: HIGH TEMP. THERMOPLASTIC
UL 94V-0, COLOR BLACK
- MATERIAL TERMINAL: COPPER ALLOY
- TO DETERMINE DIMENSIONS:
N = NUMBER OF POSITIONS PER ROW.
- 7N MIN. PIN RETENTION IN EITHER DIRECTION.
- PACKAGING:
= STANDARD PACKAGING IN POLYBAGS
- = POLYBAGS PACKAGING WHEN POLARISATION FEATURE APPLICABLE.
U = TUBE AVAILABLE FROM 04 TO 25 POS PER ROW.
A = TAPE AND REEL WITH PICK UP CAP, AS AVAILABLE
K = TAPE AND REEL WITHOUT CAP, AS AVAILABLE.
- FOR POLARIZATION, SPECIFY POSITION NUMBER TO OMIT PIN.
EXAMPLE : 03 = OMIT PIN POSITION 3, SEE TOP VIEW.
OMIT FROM PRODUCT NUMBER IF THIS FEATURE IS NOT APPLICABLE.
- RoHS COMPATIBLE PRODUCT SPECIFICATIONS
 - PLATING:
- "LF" MEANS THE PRODUCT IS LEAD-FREE,
2µm MINIMUM MATTE TIN OVER 1.27µm
MINIMUM NICKEL UNDERPLATE.
 - MANUFACTURING PROCESS COMPATIBILITY
- THE HOUSING WILL WITHSTAND EXPOSURE TO
260°C PEAK TEMPERATURE FOR 30 SECONDES
IN A CONVECTION, INFRA-RED OR VAPOR
PHASE REFLOW OVEN.
 - LABELLING:
- MEETS PACKAGING SPECS AS PER GS-14-920
 - LEGAL STATEMENT : SEE GS-47-0004



TOP VIEW



mat'l. code		surface	tolerance	projection	product family
		ISO 1302	ISO 406 ISO 1101		MINITEK
ltr ecn no dr date		tolerances unless otherwise specified		title	
L	F09-0087	JCO	09.09.04	UNSH HEADER	
M	F11-0026	LMU	11.05.12	2.00 mm VERTICAL SMT	
N	B-19190	LMU	14.10.24	dwg no	
P	B-19797	AMA	14.12.16	sheet 1 of 1 size	
R	B-19988	LMU	15.01.13	57202	
S	B-20032	AMA	15.01.20	A3	
T	F-23051	AMA	16.01.15	type	
sheet index		revision		CUSTOMER Drawing	
		sheet			