



Chipsmall Limited consists of a professional team with an average of over 10 year of expertise in the distribution of electronic components. Based in Hongkong, we have already established firm and mutual-benefit business relationships with customers from,Europe,America and south Asia,supplying obsolete and hard-to-find components to meet their specific needs.

With the principle of “Quality Parts,Customers Priority,Honest Operation,and Considerate Service”,our business mainly focus on the distribution of electronic components. Line cards we deal with include Microchip,ALPS,ROHM,Xilinx,Pulse,ON,Everlight and Freescale. Main products comprise IC,Modules,Potentiometer,IC Socket,Relay,Connector.Our parts cover such applications as commercial,industrial, and automotives areas.

We are looking forward to setting up business relationship with you and hope to provide you with the best service and solution. Let us make a better world for our industry!



## Contact us

Tel: +86-755-8981 8866 Fax: +86-755-8427 6832

Email & Skype: info@chipsmall.com Web: www.chipsmall.com

Address: A1208, Overseas Decoration Building, #122 Zhenhua RD., Futian, Shenzhen, China



This document is the property of Amphenol Corporation and is delivered on the express condition that it is not to be disclosed, reproduced or used, in whole or in part, for manufacture or sale by anyone other than Amphenol Corporation without its prior consent, & that no right is granted to disclose or to use any information in this document.

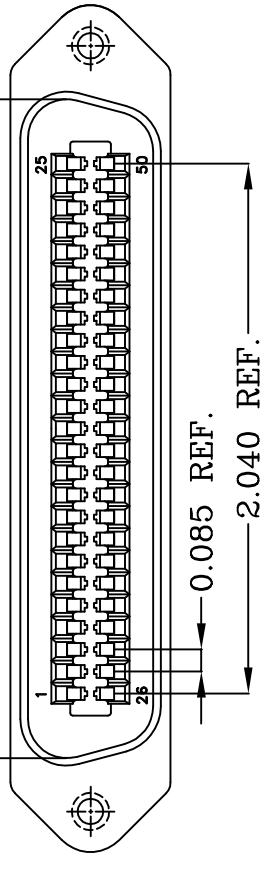
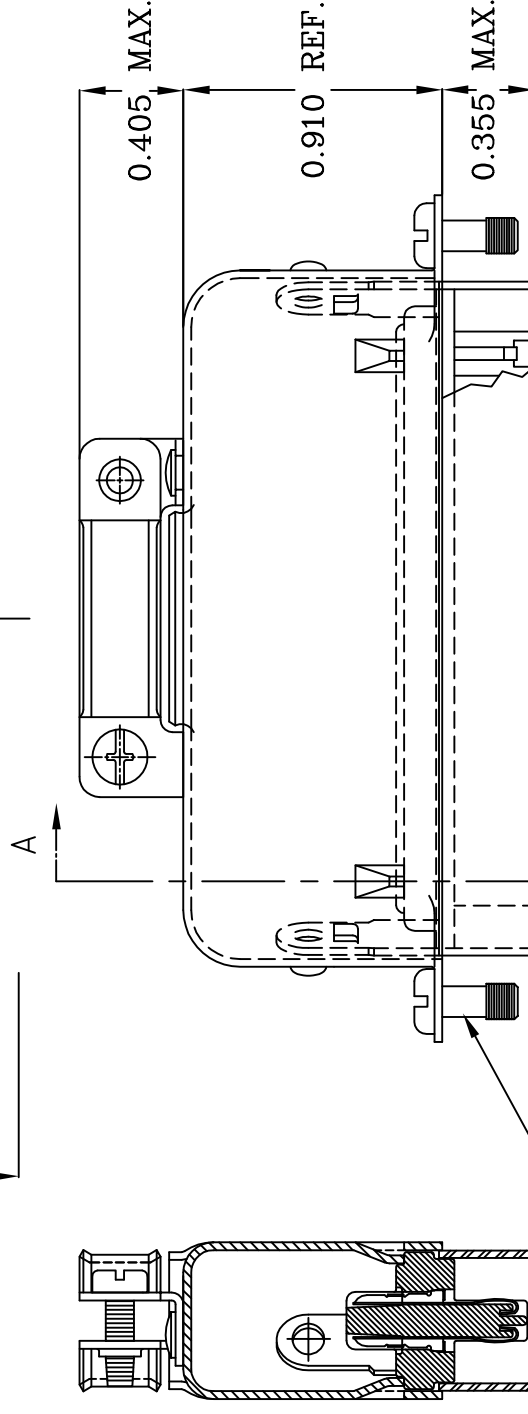
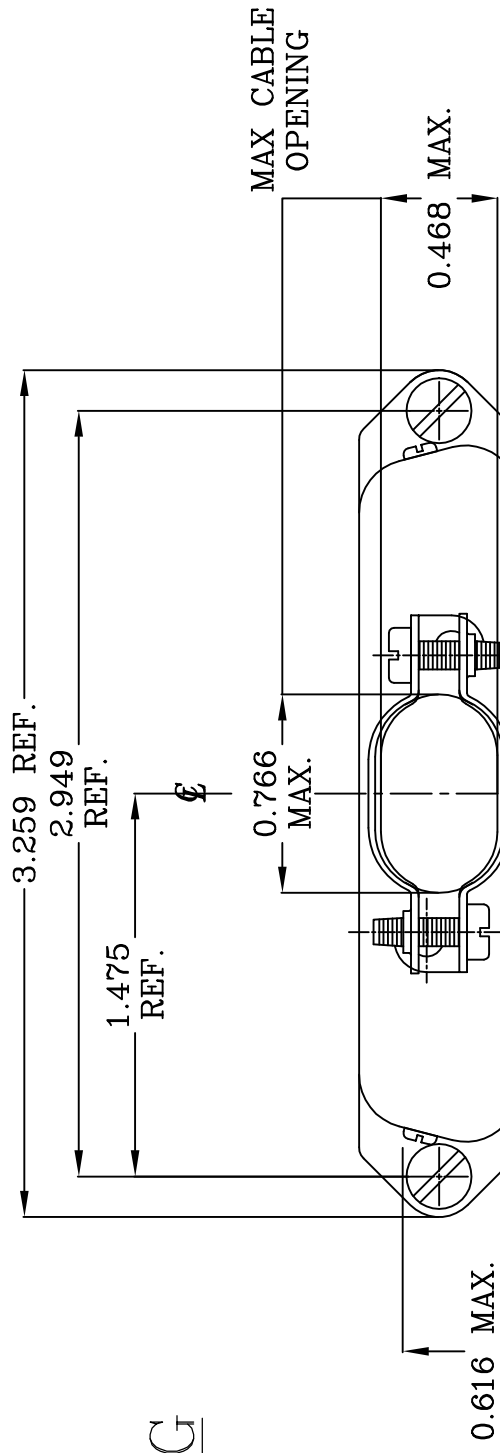
# CUSTOMER INFORMATION DRAWING

TABLE 1

CONNECTOR SIZES	AVERAGE MATING FORCE (POUNDS)
14	5
24	8
36	12
50	15
64	19

SPECIFICATIONS:

- 1) SOLDER CUP CONTACT: TO ACCOMMODATE 22-30 AWG SOLID AND 24-30 STRANDED CONNECTOR WIRES.
- 2) DIELECTRIC: DIALLY-PHTHALATE PER MIL-M-14F TYPE MDG UL-94V0
- 3) CONTACT MATERIAL: COPPER ALLOY
- 4) CONTACT: 20 MICRO-INCHES MIN. GOLD MATING AREA:  
3-5 MICRO-INCHES GOLD TERMINATION AREA: 50 MICRO-INCHES MIN. NICKEL UNDERPLATING ALL OVER
- 5) SHELL MATERIAL: ZINC PLATED STEEL WITH CLEAR CHROMATE COATING
- 6) CURRENT CAPACITY: 5 AMPS/CONTACT
- 7) VOLTAGE RATING: 700 VOLTS D.C. AT SEA LEVEL  
200 VOLTS D.C. AT 70,000 FEET
- 8) INSULATION RESISTANCE: >5000 M OHM
- 9) DIELECTRIC WITHSTANDING VOLTAGE: 1200 VAC (RMS) AT SEA LEVEL
- 10) CONNECTOR MATING FORCE: REFER TO TABLE 1.
- 11) CONTACT RETENTION FORCE: 2 LBS MAX.
- 12) DURABILITY: 250 CYCLES MIN.
- 13) VIBRATION: NO INTERRUPTIONS < 1u SEC.
- 14) OPERATING TEMPERATURE: -55°C TO +105°C (-67°F TO +221°F)



REVISIONS		DATE	APPROVED
SYM	ECN	ADD CHOP OF ROHS	IP
B	HK	4/14/06	IP

UNLESS OTHERWISE SPECIFIED TOLERANCES	APPROVAL	DATE
U.S. METRIC	DRAWN XS.GUO	4/14/06
.X +/- 0.020	CHECKED	
.XX +/- 0.010	CHECKED	
.XXX +/- 0.005		
FRACTIONS +/-		
ANGLES +/- 1°		
FOR MATERIALS AND FINISHES SEE NOTES	DRAWING FILE :	
	\DRAWING\57\C57335001.DWG	
	REMOVE SHARP EDGES	ANGLE OF PROJECTION
	DIMENSIONS	
	U.S. INCHES	
	(METRIC) (MM)	
Amphenol		
TITLE		
50 CONTACT CABLE MOUNTED ASSEMBLY WITH M3.5 SCREWS		
SIZE	DRAWING NO.	REV.
A3	C57-33500-1	B
SCALE	NONE	SHEET 1 OF 1