



Chipsmall Limited consists of a professional team with an average of over 10 year of expertise in the distribution of electronic components. Based in Hongkong, we have already established firm and mutual-benefit business relationships with customers from,Europe,America and south Asia,supplying obsolete and hard-to-find components to meet their specific needs.

With the principle of "Quality Parts,Customers Priority,Honest Operation,and Considerate Service",our business mainly focus on the distribution of electronic components. Line cards we deal with include Microchip,ALPS,ROHM,Xilinx,Pulse,ON,Everlight and Freescale. Main products comprise IC,Modules,Potentiometer,IC Socket,Relay,Connector.Our parts cover such applications as commercial,industrial, and automotives areas.

We are looking forward to setting up business relationship with you and hope to provide you with the best service and solution. Let us make a better world for our industry!



Contact us

Tel: +86-755-8981 8866 Fax: +86-755-8427 6832

Email & Skype: info@chipsmall.com Web: www.chipsmall.com

Address: A1208, Overseas Decoration Building, #122 Zhenhua RD., Futian, Shenzhen, China



Board Level Cooling – Slide On 5740



BOARD LEVEL COOLING - Slide On 5740

Slide On 5740 is a series of slide on board level heat sinks designed to cool TO-220, and TO-220-single gauge (0.020") devices. Representative Image Only

ORDERING INFORMATION

Part Number	Device Type
574402B03200G	TO-220, TO-220-single gauge
574502B00000G	TO-220
574502B03200G	TO-220
574502B03300G	TO-220
574502B03700G	TO-220
574602B00000G	TO-220
574602B03300G	TO-220
574602B03700G	TO-220
574902B00000G	TO-220, TO-220-single gauge
574902B03300G	TO-220, TO-220-single gauge
574902B03700G	TO-220, TO-220-single gauge
574902B04300G	TO-220, TO-220-single gauge
578902B03200G	TO-220, TO-220-single gauge



HEAT SINK DETAILS

Property	Details
Material	Aluminum
Finish	Black Anodize
Device Attachment Options	Spring Action Slide On
Thermal Interface Material	-

Property	Details
Heat Sink Width (mm)	21.84
Heat Sink Length (mm)	9.02
Heat Sink Mounting Direction	Horizontal, Vertical

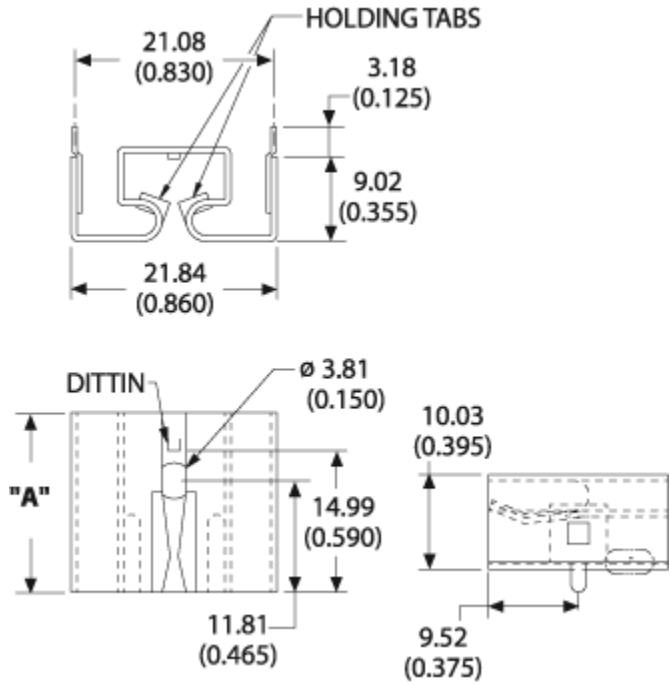
MECHANICAL & PERFORMANCE

Drawing dimensions are shown in mm, (in)

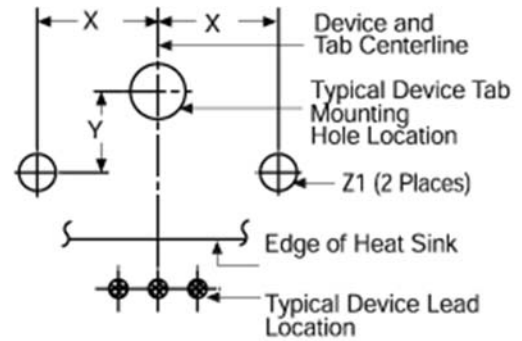
Part Number	Heat Sink Height	"X" Dim	"Y" Dim	"Z" Dim
574402B03200G	19.05	10.54 (0.415)	3.05 (0.120)	1.91 (0.075)
574502B00000G	19.05	-	-	-
574502B03200G	19.05	10.54 (0.415)	4.06 (0.160)	1.91 (0.075)
574502B03300G	19.05	10.54 (0.415)	4.06 (0.160)	1.91 (0.075)
574502B03700G	19.05	10.54 (0.415)	4.06 (0.160)	1.91 (0.075)
574602B00000G	17.53	-	-	-
574602B03300G	17.53	10.54 (0.415)	4.06 (0.160)	1.91 (0.075)
574602B03700G	17.53	10.54 (0.415)	4.06 (0.160)	1.63 (0.064)
574902B00000G	34.93	-	-	-
574902B03300G	34.93	10.54 (0.415)	3.05 (0.120)	1.91 (0.075)
574902B03700G	34.93	10.54 (0.415)	4.06 (0.160)	1.91 (0.075)
574902B04300G	34.93	10.54 (0.415)	4.06 (0.160)	1.63 (0.064)
578902B03200G	34.93	12.07 (0.475)	8.89 (0.350)	3.10 (0.122)

Board Level Cooling – Slide On 5740

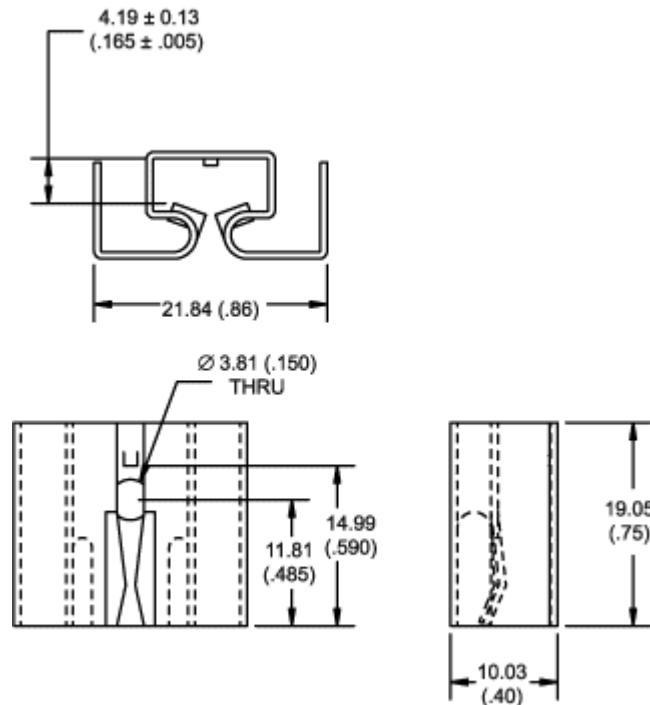
Part Number: 574402B03200G



Mounting Details:



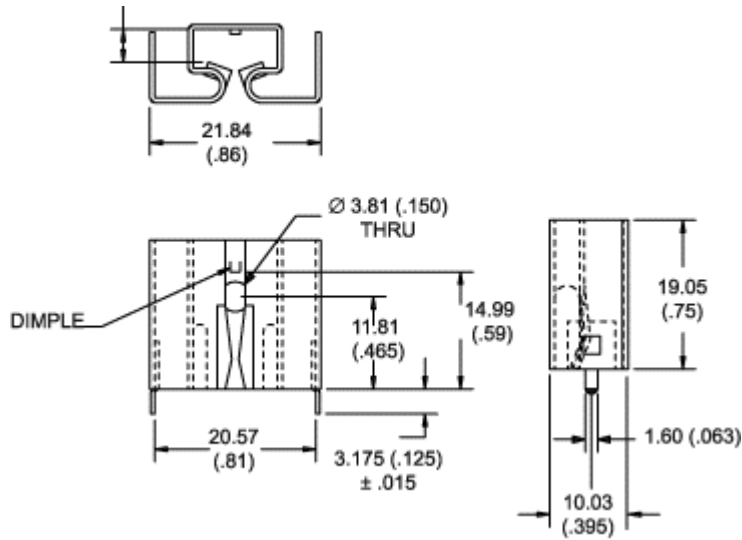
Part Number: 574502B00000G



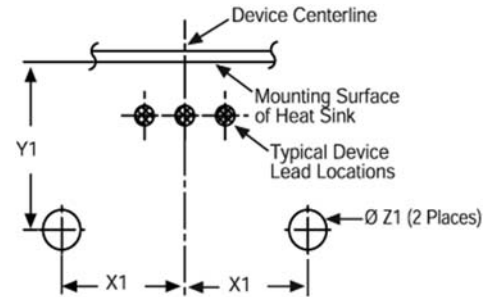
Board Level Cooling – Slide On 5740

4.19 (.165) ± .005

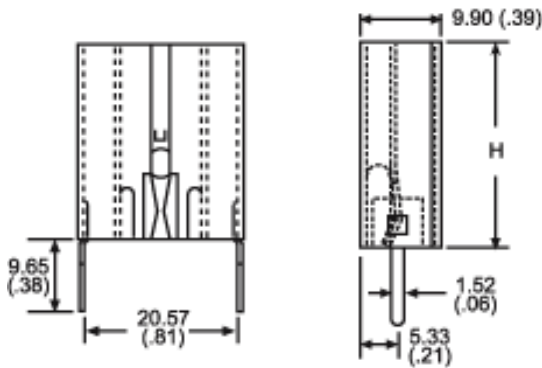
Part Number: 574502B03200G



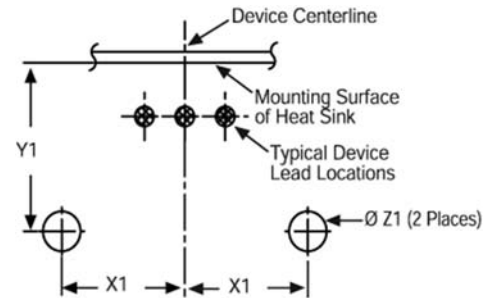
Mounting Details:



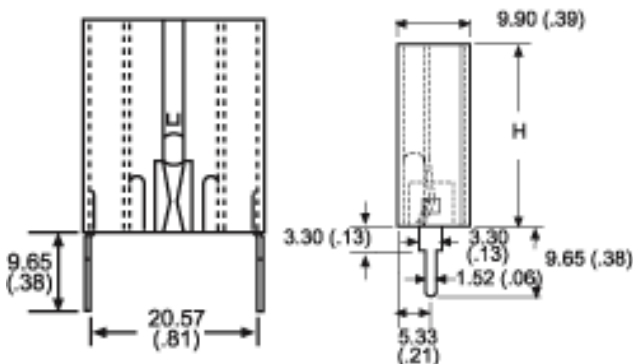
Part Number: 574502B03300G



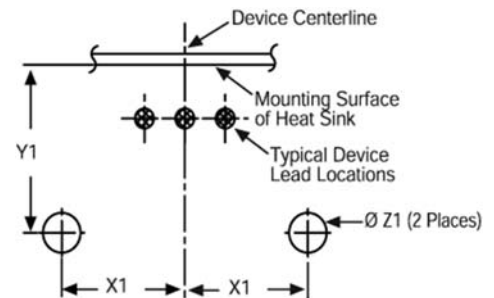
Mounting Details:



Part Number: 574502B03700G

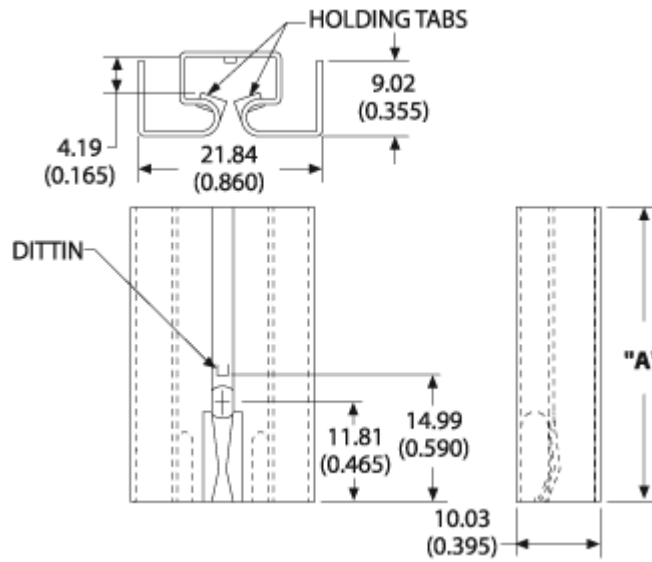


Mounting Details:

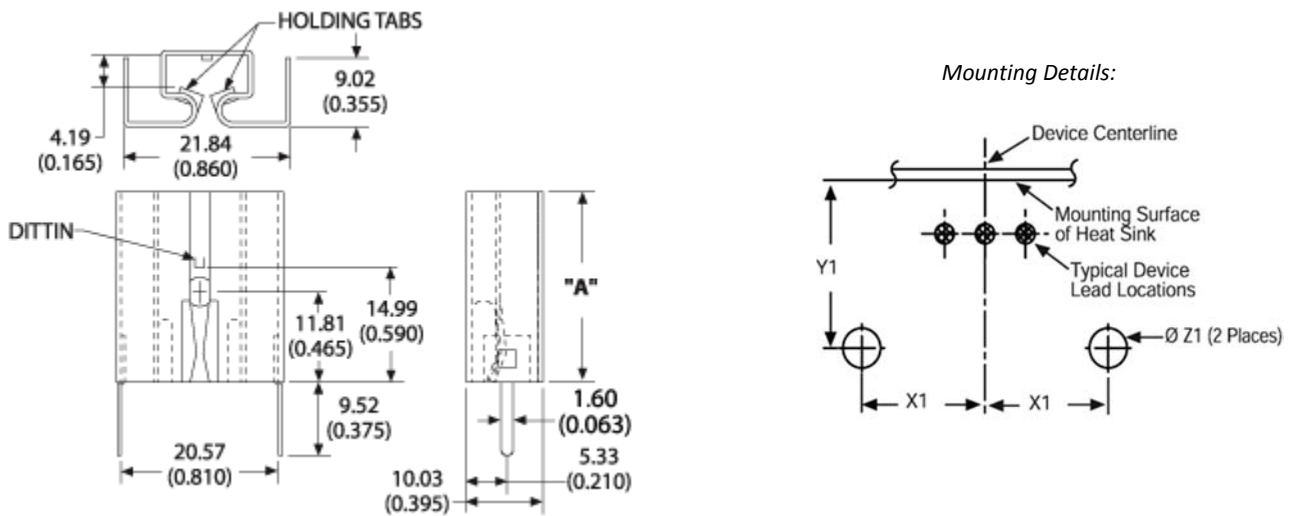


Board Level Cooling – Slide On 5740

Part Number: 574602B00000G

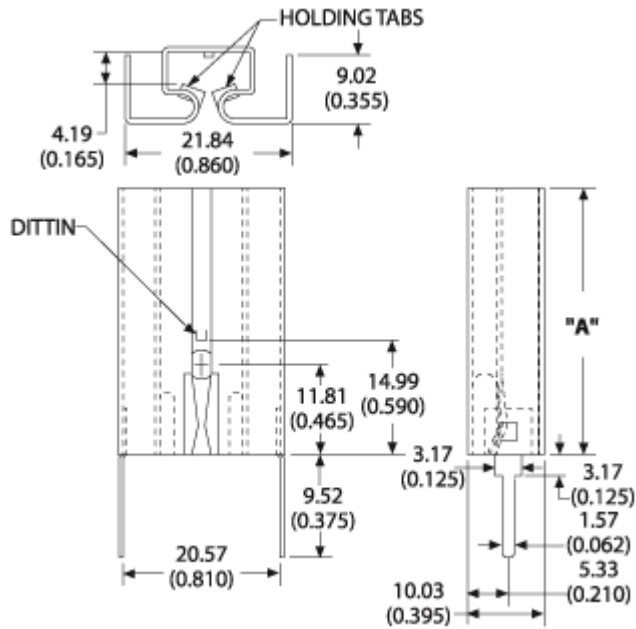


Part Number: 574602B03300G

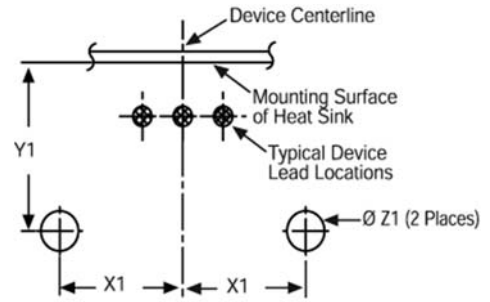


Board Level Cooling – Slide On 5740

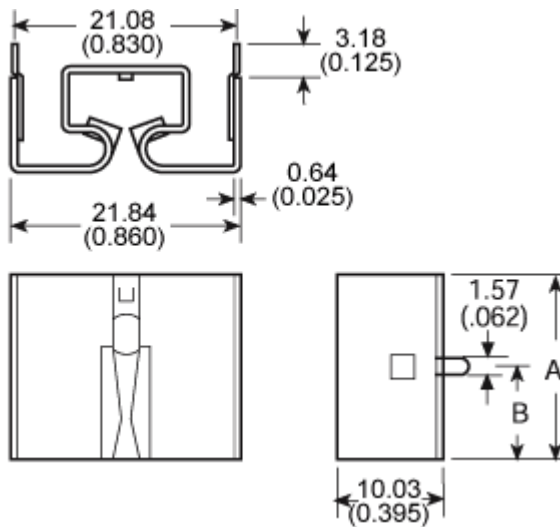
Part Number: 574602B03700G



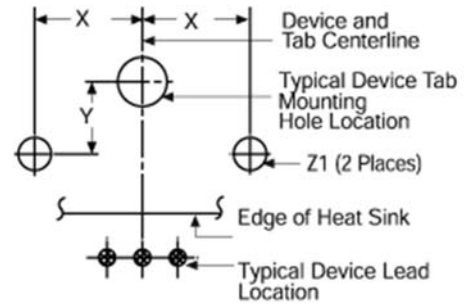
Mounting Details:



Part Number: 578902B03200G

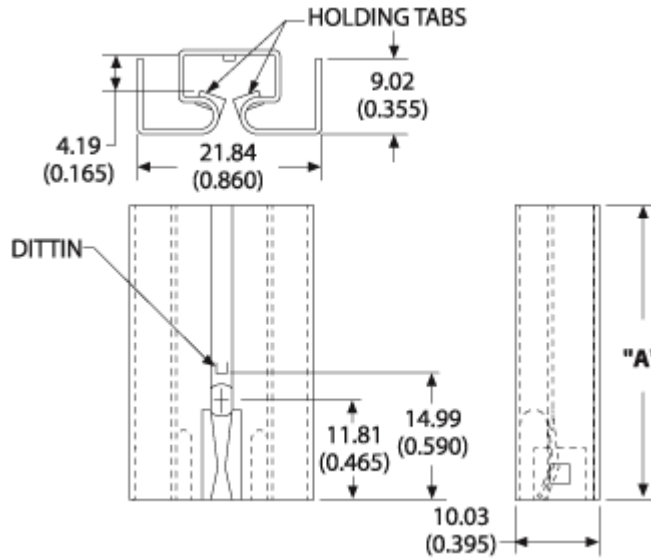


Mounting Details:

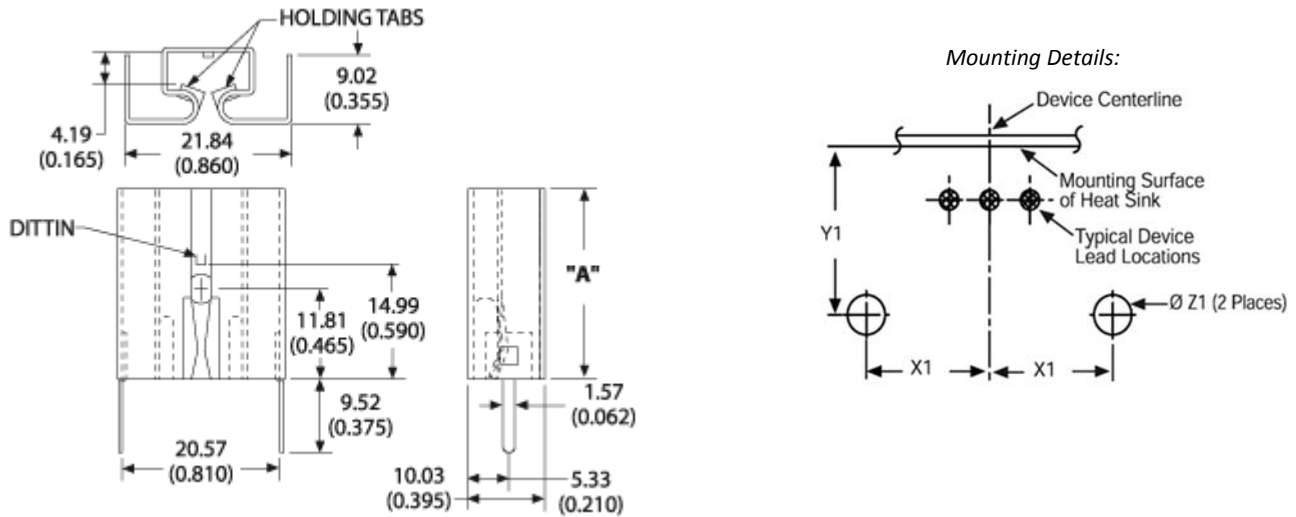


Board Level Cooling – Slide On 5740

Part Number: 574902B00000G

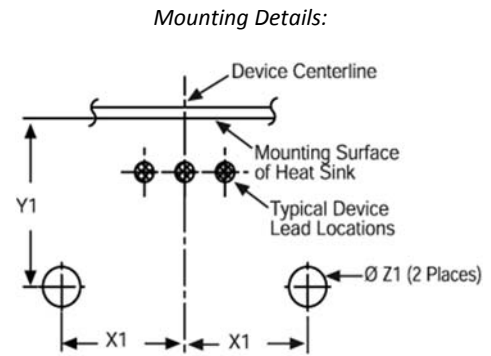
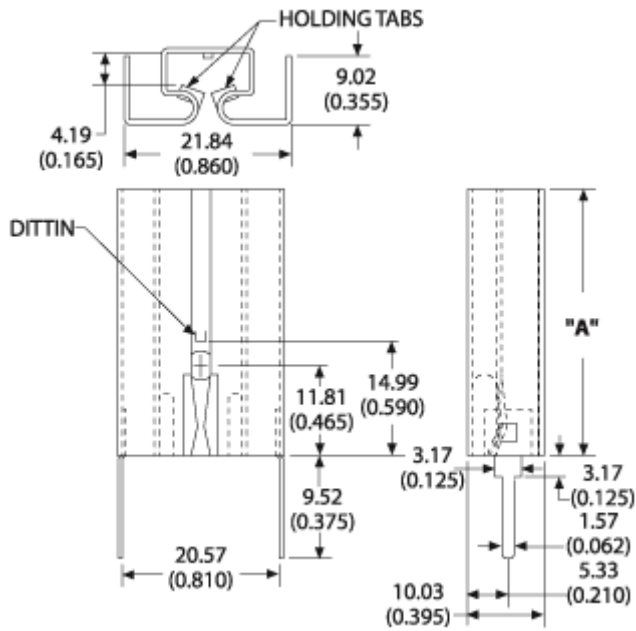


Part Number: 574902B03300G

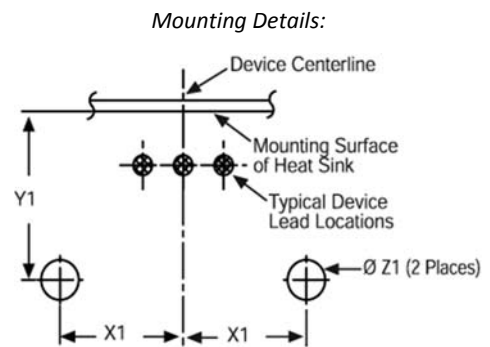
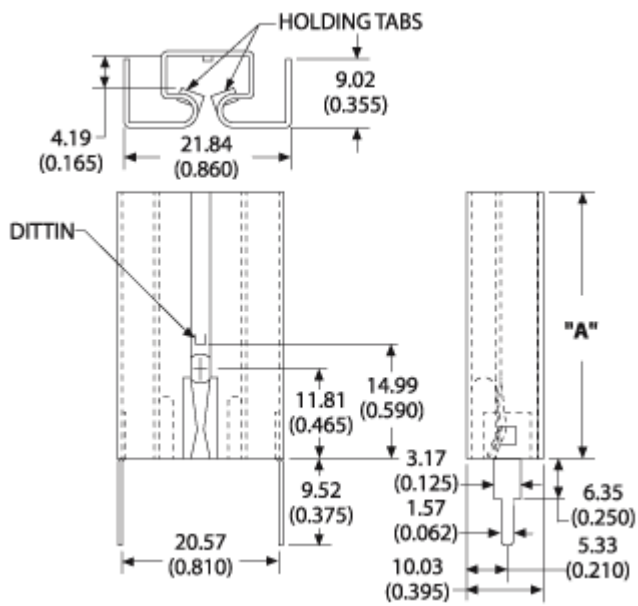


Board Level Cooling – Slide On 5740

Part Number: 574902B03700G



Part Number: 574902B04300G



Board Level Cooling – Slide On 5740

