



Chipsmall Limited consists of a professional team with an average of over 10 year of expertise in the distribution of electronic components. Based in Hongkong, we have already established firm and mutual-benefit business relationships with customers from,Europe,America and south Asia,supplying obsolete and hard-to-find components to meet their specific needs.

With the principle of "Quality Parts,Customers Priority,Honest Operation,and Considerate Service",our business mainly focus on the distribution of electronic components. Line cards we deal with include Microchip,ALPS,ROHM,Xilinx,Pulse,ON,Everlight and Freescale. Main products comprise IC,Modules,Potentiometer,IC Socket,Relay,Connector.Our parts cover such applications as commercial,industrial, and automotives areas.

We are looking forward to setting up business relationship with you and hope to provide you with the best service and solution. Let us make a better world for our industry!



## Contact us

Tel: +86-755-8981 8866 Fax: +86-755-8427 6832

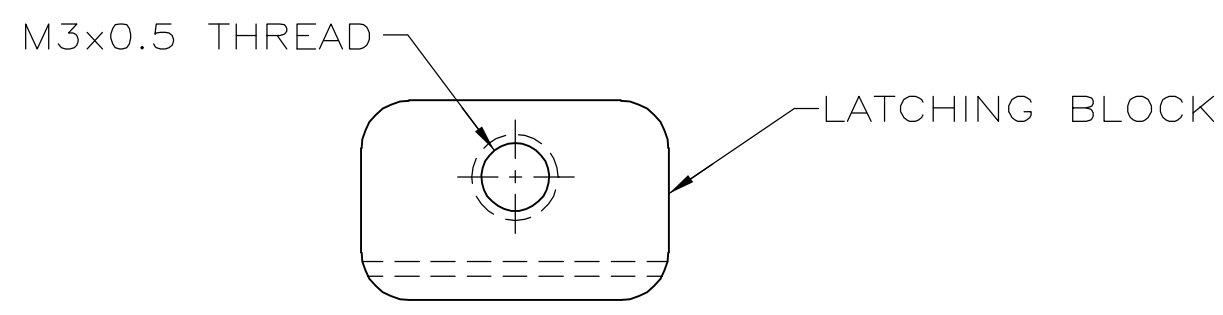
Email & Skype: info@chipsmall.com Web: www.chipsmall.com

Address: A1208, Overseas Decoration Building, #122 Zhenhua RD., Futian, Shenzhen, China

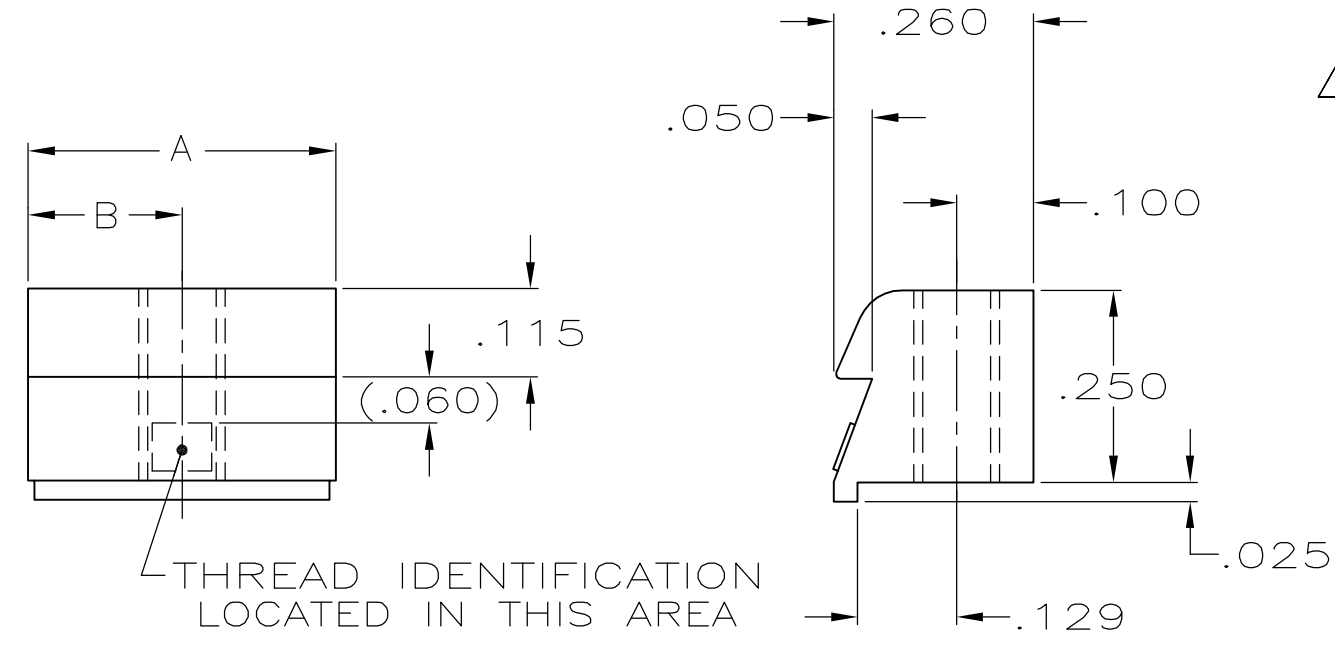


THIS DRAWING IS UNPUBLISHED. RELEASED FOR PUBLICATION  
 © COPYRIGHT 2006 BY TYCO ELECTRONICS CORPORATION. ALL RIGHTS RESERVED.

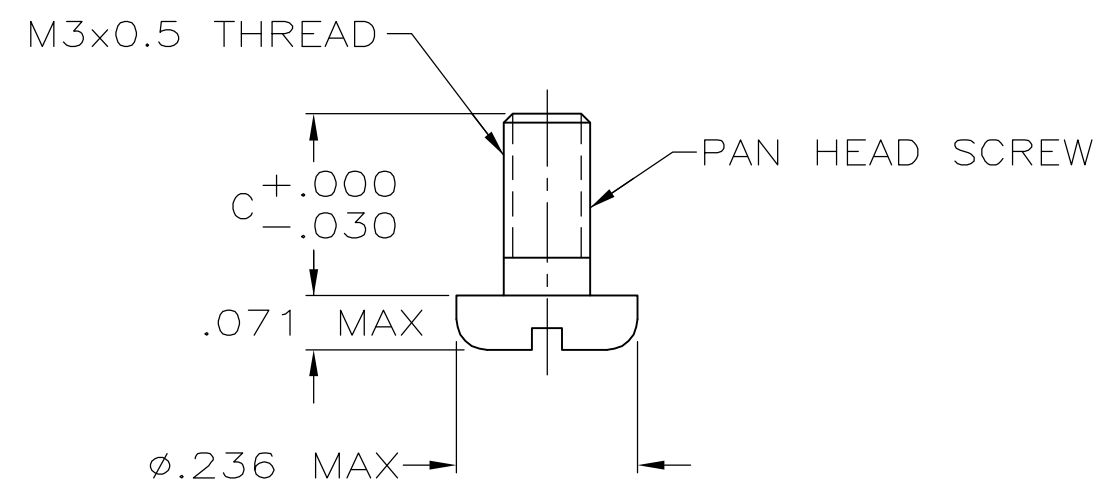
LOC	DIST	REVISIONS					
GP	00	P	LTR	DESCRIPTION	DATE	DWN	APVD
			A	REVISED PER EC 0S13-0389-05	09MAR06	JG	JG



1. PARTS PACKAGED UNASSEMBLED, 1 KIT PER BAG. EACH KIT CONTAINS 2 OF EACH COMPONENT.
2. LATCHING BLOCK: ZINC ALLOY. SCREW: COLD ROLLED STEEL.
3. SCREW: ZINC PLATED .000200-.000400 THICK, CLEAR CHROMATE COATING.



THREAD IDENTIFICATION LOCATED IN THIS AREA



.236	.200	.400	5745007-1
C	B	A	PART NUMBER

THIS DRAWING IS A CONTROLLED DOCUMENT.		DWN J.GERACE 01MAR06	Tyco Electronics Corporation Harrisburg, PA 17105-3608	
DIMENSIONS: INCHES		CHK C.ROHDE 01MAR06		
TOLERANCES UNLESS OTHERWISE SPECIFIED:		APVD M.WALMSLEY 01MAR06	NAME LATCHING BLOCK KIT, RS 449 TYPE, AMPLIMITE	
0 PLC ± - 1 PLC ± - 2 PLC ± - 3 PLC ± .010 4 PLC ± - ANGLES ± -		PRODUCT SPEC -	APPLICATION SPEC -	
MATERIAL		WEIGHT -	SIZE A3	CAGE CODE 00779
FINISH		DRAWING NO C=5745007		RESTRICTED TO -
		CUSTOMER DRAWING		SCALE 4:1
		SHEET 1 OF 1		REV A