



Chipsmall Limited consists of a professional team with an average of over 10 year of expertise in the distribution of electronic components. Based in Hongkong, we have already established firm and mutual-benefit business relationships with customers from,Europe,America and south Asia,supplying obsolete and hard-to-find components to meet their specific needs.

With the principle of "Quality Parts,Customers Priority,Honest Operation,and Considerate Service",our business mainly focus on the distribution of electronic components. Line cards we deal with include Microchip,ALPS,ROHM,Xilinx,Pulse,ON,Everlight and Freescale. Main products comprise IC,Modules,Potentiometer,IC Socket,Relay,Connector.Our parts cover such applications as commercial,industrial, and automotives areas.

We are looking forward to setting up business relationship with you and hope to provide you with the best service and solution. Let us make a better world for our industry!



Contact us

Tel: +86-755-8981 8866 Fax: +86-755-8427 6832

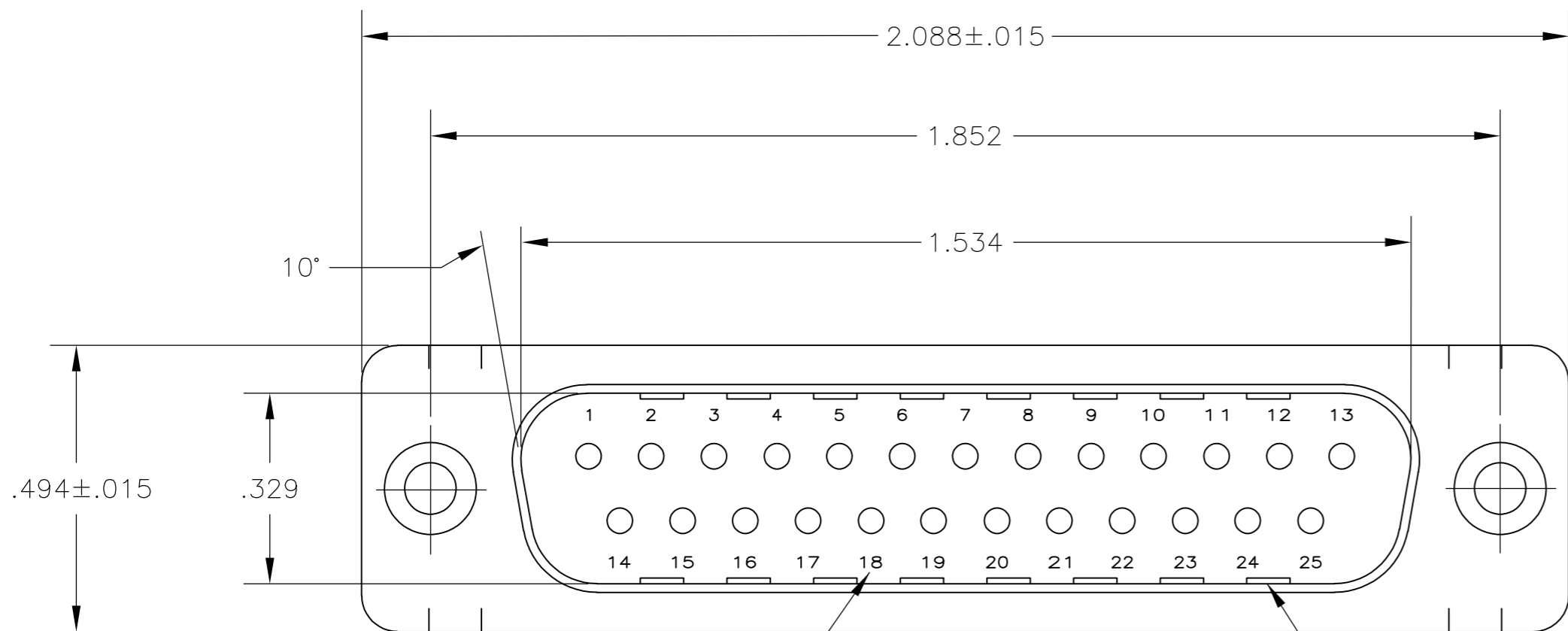
Email & Skype: info@chipsmall.com Web: www.chipsmall.com

Address: A1208, Overseas Decoration Building, #122 Zhenhua RD., Futian, Shenzhen, China



THIS DRAWING IS UNPUBLISHED. RELEASED FOR PUBLICATION
 © COPYRIGHT - By - ALL RIGHTS RESERVED.

LOC	DIST	REVISIONS					
GP	00	P	LTR	DESCRIPTION	DATE	DWN	APVD
		A		RELEASED PER ECO-11-002006	14APR2011	CJV	CWR



1. CONNECTOR ACCEPTS SIZE 20 DF PIN CONTACTS, RETENTION TINES ARE AN INTEGRAL PART OF INSERT.

2. MOLDED PARTS: FLAME RETARDANT 94V-0 RATED THERMOPLASTIC; COLOR: BLACK.

3. SHELLS & CLINCH NUTS: STEEL PER ASTM A109.

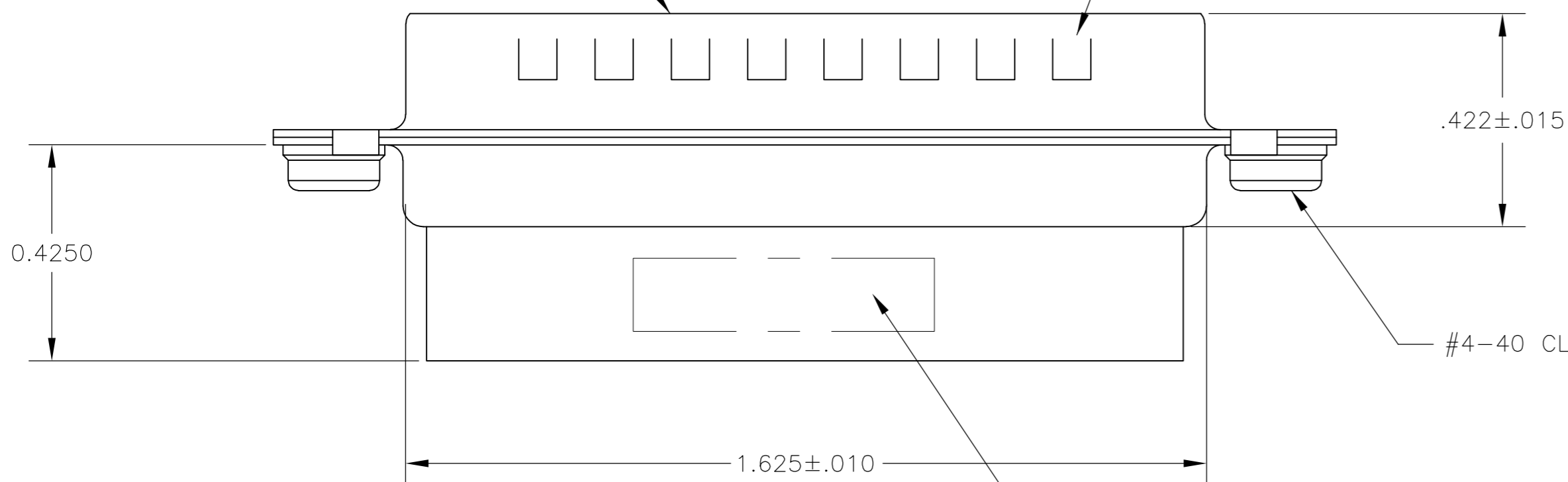
4. SHELL FINISH: .000200 MIN TIN PLATE OVER .000100 MIN COPPER UNDERPLATE.

5. CLINCH NUTS: CLEAR CHROMATE OVER ZINC.

RAISED CAVITY IDENTIFICATION

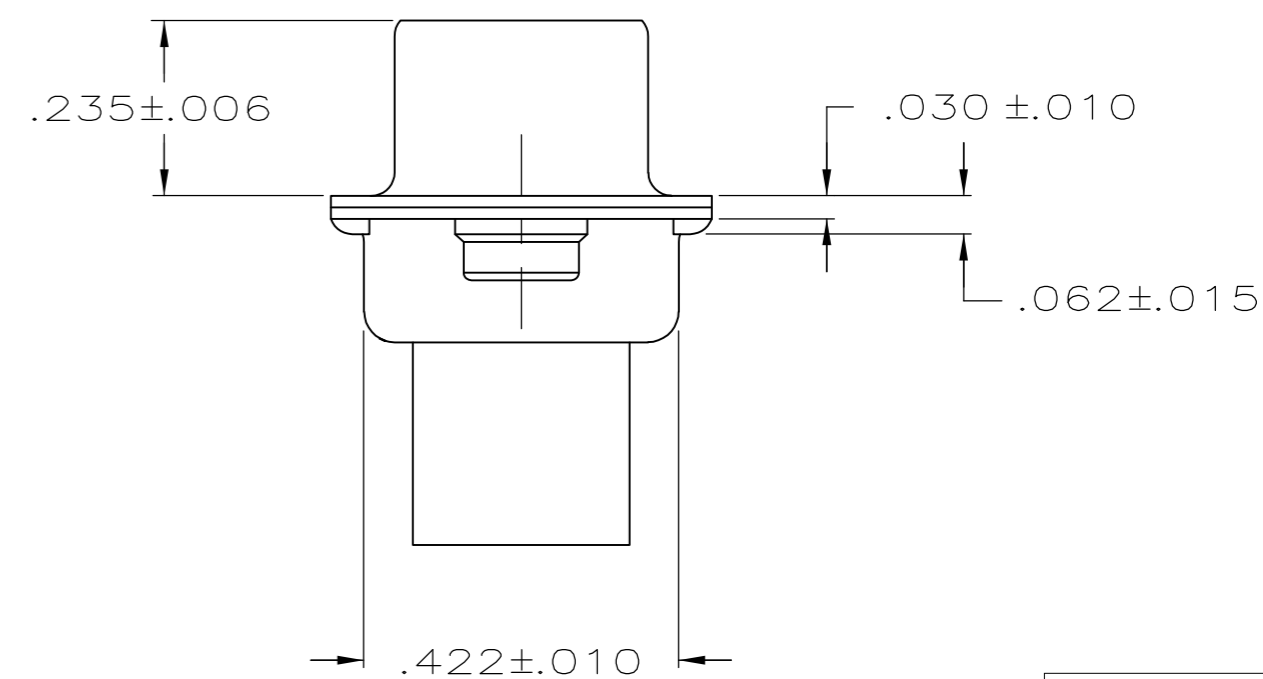
GROUNDING INDENTS

MATING FACE



#4-40 CLINCH NUT

MANUFACTURERS LOGO, PART NO & DATE CODE, MARKED IN AREA INDICATED, ON FAR SIDE



5745036-2
 PART NUMBER

THIS DRAWING IS A CONTROLLED DOCUMENT.		DWN L. VARELA - DOCK5 12-21-04	TE Connectivity	
DIMENSIONS: INCHES		CHK J. GERACE 12-21-04	NAME	
TOLERANCES UNLESS OTHERWISE SPECIFIED:		APVD M. WALMSLEY 12-21-04	PLUG CONNECTOR, SIZE 3, 25 POS, W/CLINCH NUTS, AMPLIMITE HDP	
0 PLC ± - 1 PLC ± - 2 PLC ± - 3 PLC ± .005 4 PLC ± - ANGLES ± 2°		PRODUCT SPEC 108-40005	SIZE A2	RESTRICTED TO
MATERIAL		APPLICATION SPEC 114-40030	CAGE CODE 00779	DRAWING NO 5745036
FINISH		WEIGHT -	SCALE 4:1	SHEET 1 of 1
2 3		CUSTOMER DRAWING		REV A