



Chipsmall Limited consists of a professional team with an average of over 10 year of expertise in the distribution of electronic components. Based in Hongkong, we have already established firm and mutual-benefit business relationships with customers from,Europe,America and south Asia,supplying obsolete and hard-to-find components to meet their specific needs.

With the principle of “Quality Parts,Customers Priority,Honest Operation,and Considerate Service”,our business mainly focus on the distribution of electronic components. Line cards we deal with include Microchip,ALPS,ROHM,Xilinx,Pulse,ON,Everlight and Freescale. Main products comprise IC,Modules,Potentiometer,IC Socket,Relay,Connector.Our parts cover such applications as commercial,industrial, and automotives areas.

We are looking forward to setting up business relationship with you and hope to provide you with the best service and solution. Let us make a better world for our industry!



## Contact us

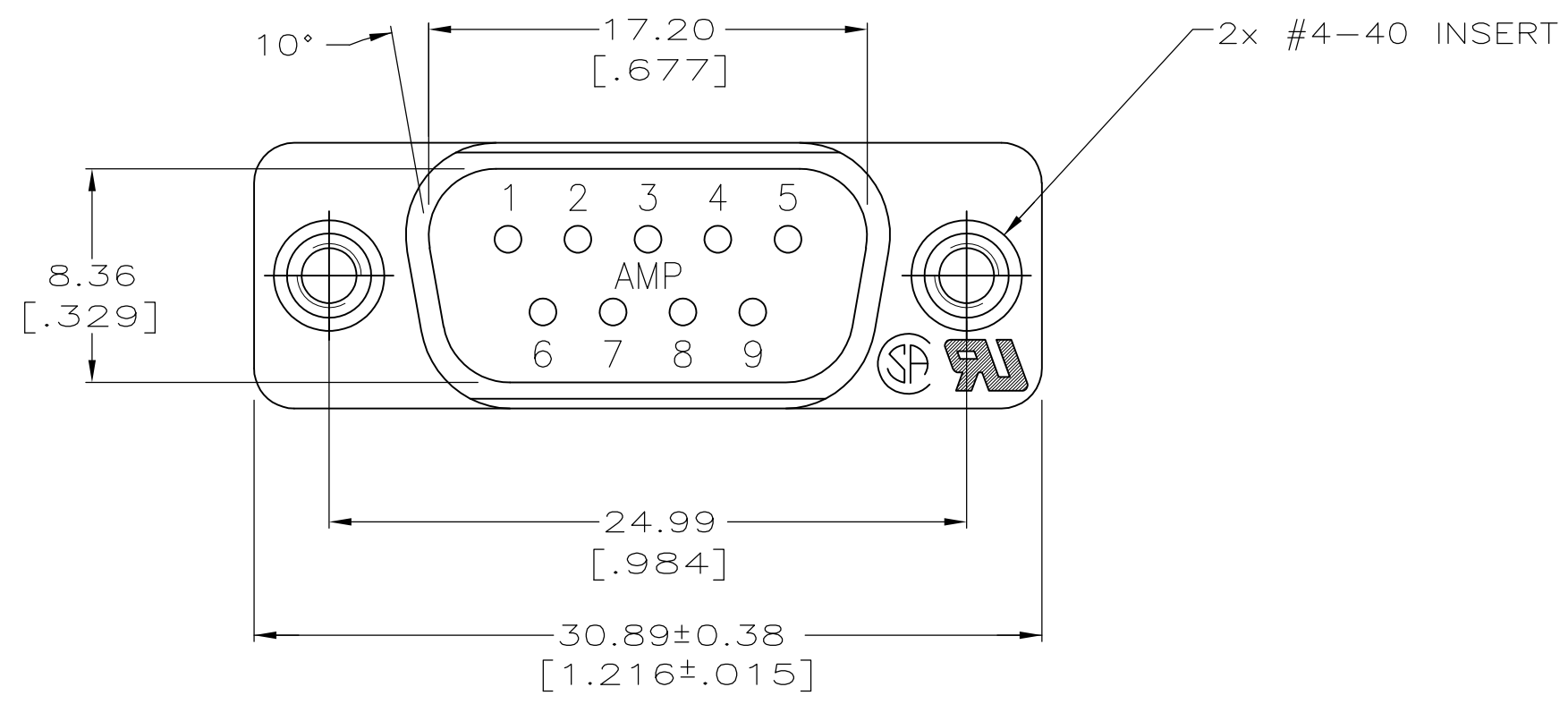
Tel: +86-755-8981 8866 Fax: +86-755-8427 6832

Email & Skype: info@chipsmall.com Web: www.chipsmall.com

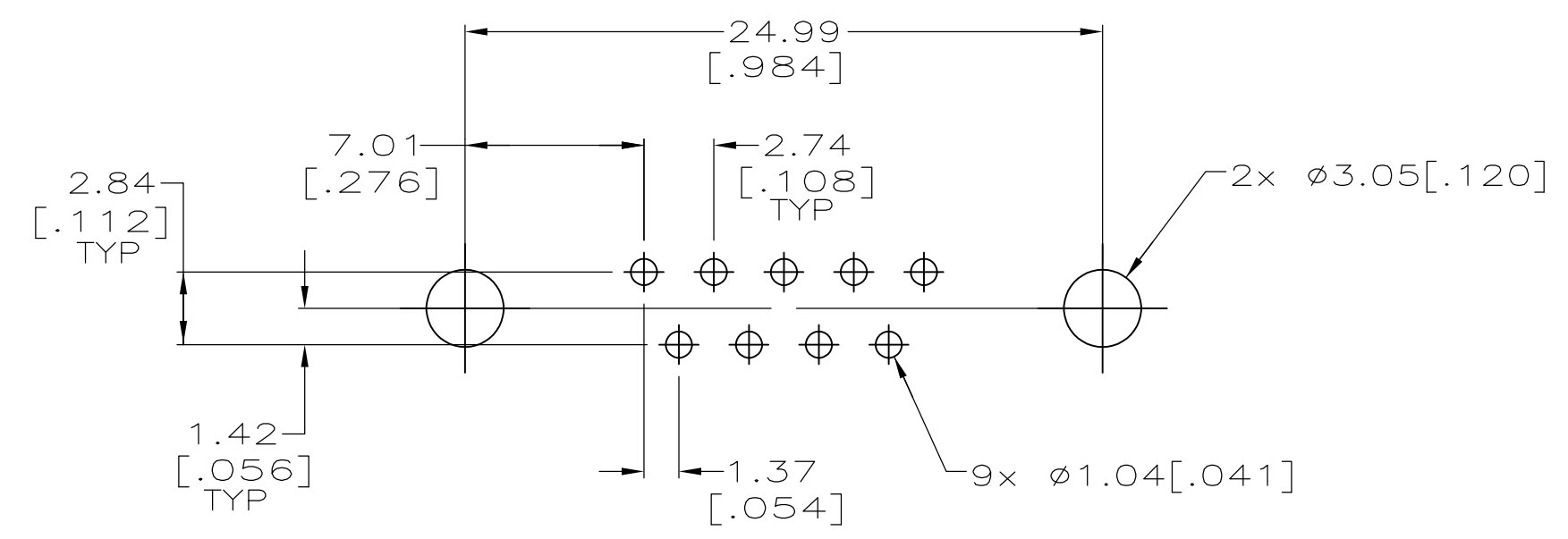
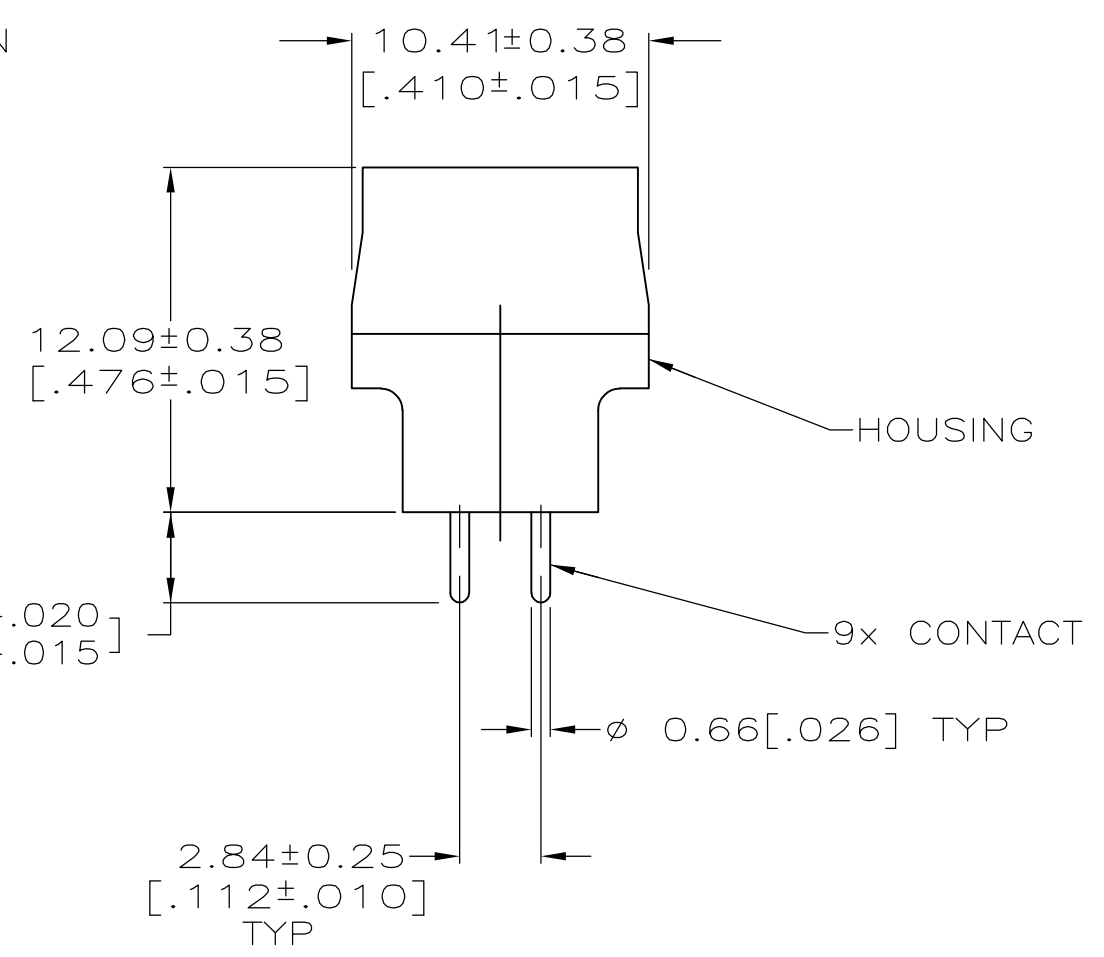
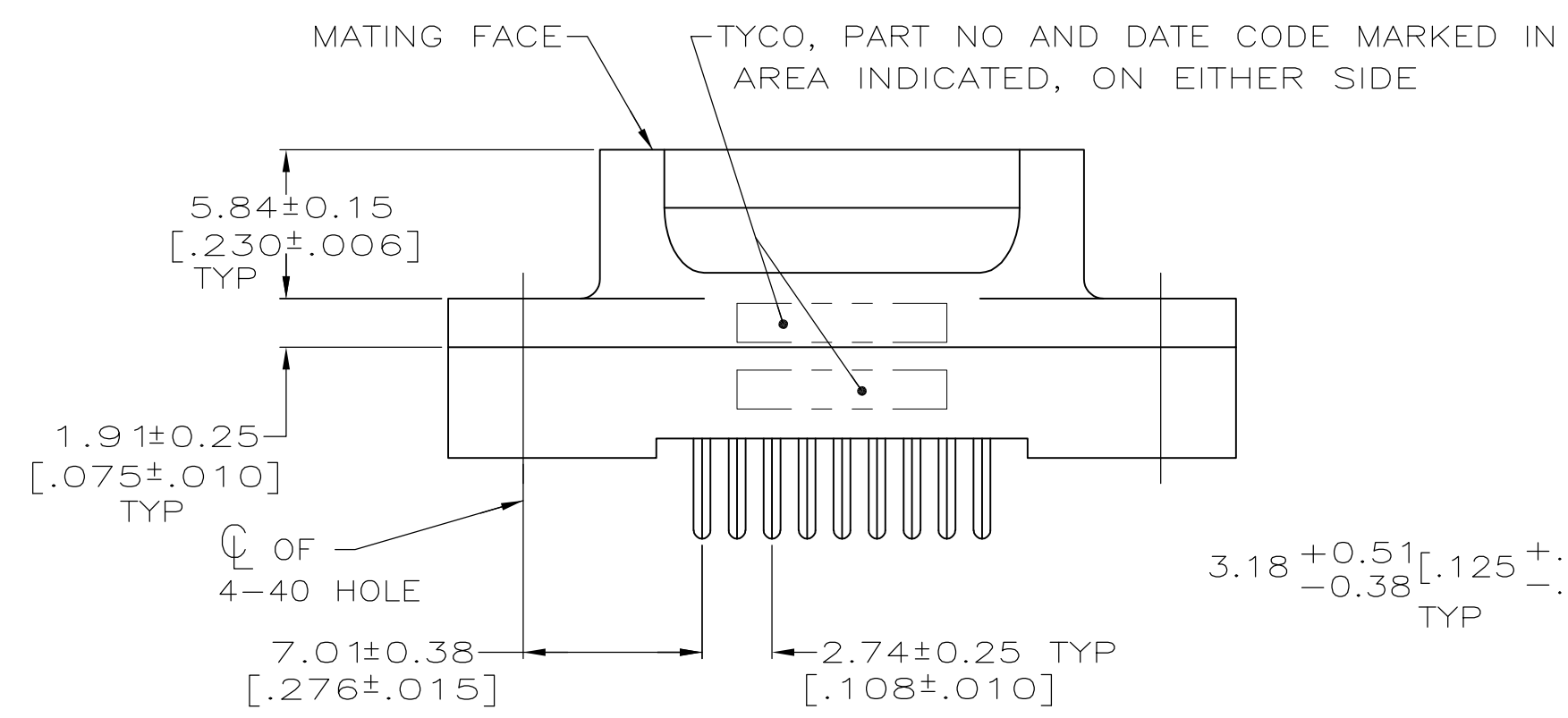
Address: A1208, Overseas Decoration Building, #122 Zhenhua RD., Futian, Shenzhen, China



| LOC | DIST | REVISIONS   |                           |         |        |
|-----|------|-------------|---------------------------|---------|--------|
| P   | LTR  | DESCRIPTION | DATE                      | OWN     | APVD   |
| GP  | 00   | A1          | REVISED PER ECO-11-004835 | 11MAR11 | RK HMR |



- 1 HOUSING: BLACK POLYESTER, UL 94V-0 RATED; CONTACTS: BRASS  
INSERTS: BRASS
- 2 GOLD PLATED FOR A LENGTH OF 3.81 [.150] MIN FROM MATING END, GOLD FLASH IN MATED AREA, 2.54µm [.00010] MIN TIN ON OPPOSITE END, ALL OVER 1.27 µm [.000050] MIN NICKLE.
- 3 GOLD PLATED FOR A LENGTH OF 3.81 [.150] MIN FROM MATING END, 0.76µm [.000030] MIN GOLD IN MATED AREA, 2.54µm [.000100] MIN TIN ON OPPOSITE END, ALL OVER 1.27µm [.000050] MIN NICKEL  
-OR-  
GOLD FLASH OVER PALLADIUM NICKEL PLATED FOR LENGTH OF 3.81 [.150] MIN FROM MATING END, 0.76µm [.000030] MIN PALLADIUM NICKEL IN MATED AREA, 2.54µm [.000100] MIN TIN ON OPPOSITE END, ALL OVER 1.27µm [.000050] MIN NICKEL.



RECOMMENDED PC BOARD MOUNTING DIMENSIONS

**COPYRIGHT 2005  
 TE CONNECTIVITY CORP  
 ALL RIGHTS RESERVED**

|                |           |
|----------------|-----------|
| 3              | 5745051-2 |
| 2              | 5745051-1 |
| CONTACT FINISH | PART NO   |

|  |               |                         |                            |           |
|--|---------------|-------------------------|----------------------------|-----------|
| THIS DRAWING IS A CONTROLLED DOCUMENT. |               | DWN G.PETERS 12SEP05    | <b>STE</b> TE Connectivity |           |
| DIMENSIONS: mm[INCHES]                 |               | CHK S.BOLASH 12SEP05    |                            |           |
| TOLERANCES UNLESS OTHERWISE SPECIFIED: |               | APVD M.WALMSLEY 12SEP05 | NAME                       |           |
| 0 PLC ± -                              | 1 PLC ± -     | PRODUCT SPEC            |                            |           |
| 2 PLC ± 0.13 [.005]                    | 3 PLC ± -     | 108-40025               |                            |           |
| 4 PLC ± -                              | ANGLES ± ± 2' | APPLICATION SPEC        |                            |           |
| MATERIAL                               | FINISH        | WEIGHT                  | SIZE                       | CAGE CODE |
| 1                                      | SEE TABLE     | -                       | A2                         | 00779     |
| CUSTOMER DRAWING                       |               | SCALE 4:1               | SHEET 1 OF 1               | REV A1    |