



Chipsmall Limited consists of a professional team with an average of over 10 year of expertise in the distribution of electronic components. Based in Hongkong, we have already established firm and mutual-benefit business relationships with customers from,Europe,America and south Asia,supplying obsolete and hard-to-find components to meet their specific needs.

With the principle of “Quality Parts,Customers Priority,Honest Operation,and Considerate Service”,our business mainly focus on the distribution of electronic components. Line cards we deal with include Microchip,ALPS,ROHM,Xilinx,Pulse,ON,Everlight and Freescale. Main products comprise IC,Modules,Potentiometer,IC Socket,Relay,Connector.Our parts cover such applications as commercial,industrial, and automotives areas.

We are looking forward to setting up business relationship with you and hope to provide you with the best service and solution. Let us make a better world for our industry!



Contact us

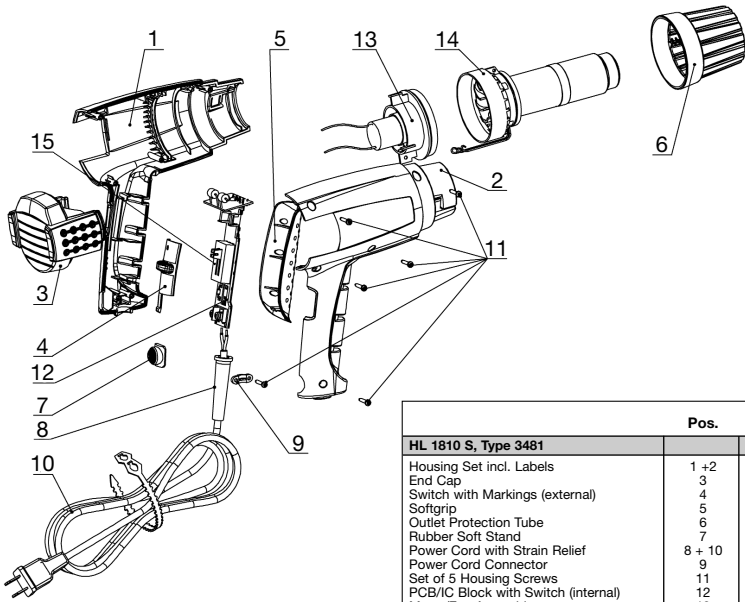
Tel: +86-755-8981 8866 Fax: +86-755-8427 6832

Email & Skype: info@chipsmall.com Web: www.chipsmall.com

Address: A1208, Overseas Decoration Building, #122 Zhenhua RD., Futian, Shenzhen, China



Spare Parts List HL 1810 S



	Pos.	Part No.
HL 1810 S, Type 3481		
Housing Set incl. Labels	1 + 2	02818
End Cap	3	—
Switch with Markings (external)	4	02420
Softgrip	5	02821
Outlet Protection Tube	6	02523
Rubber Soft Stand	7	02629
Power Cord with Strain Relief	8 + 10	02723
Power Cord Connector	9	—
Set of 5 Housing Screws	11	02829
PCB/IC Block with Switch (internal)	12	02318
Motor/Fan Assembly	13	02218
Heating Element 1400W/120V	14	02118
Switch (internal)	15	02426

Wiring Diagram HL 1810 S

