



Chipsmall Limited consists of a professional team with an average of over 10 year of expertise in the distribution of electronic components. Based in Hongkong, we have already established firm and mutual-benefit business relationships with customers from,Europe,America and south Asia,supplying obsolete and hard-to-find components to meet their specific needs.

With the principle of “Quality Parts,Customers Priority,Honest Operation,and Considerate Service”,our business mainly focus on the distribution of electronic components. Line cards we deal with include Microchip,ALPS,ROHM,Xilinx,Pulse,ON,Everlight and Freescale. Main products comprise IC,Modules,Potentiometer,IC Socket,Relay,Connector.Our parts cover such applications as commercial,industrial, and automotives areas.

We are looking forward to setting up business relationship with you and hope to provide you with the best service and solution. Let us make a better world for our industry!



Contact us

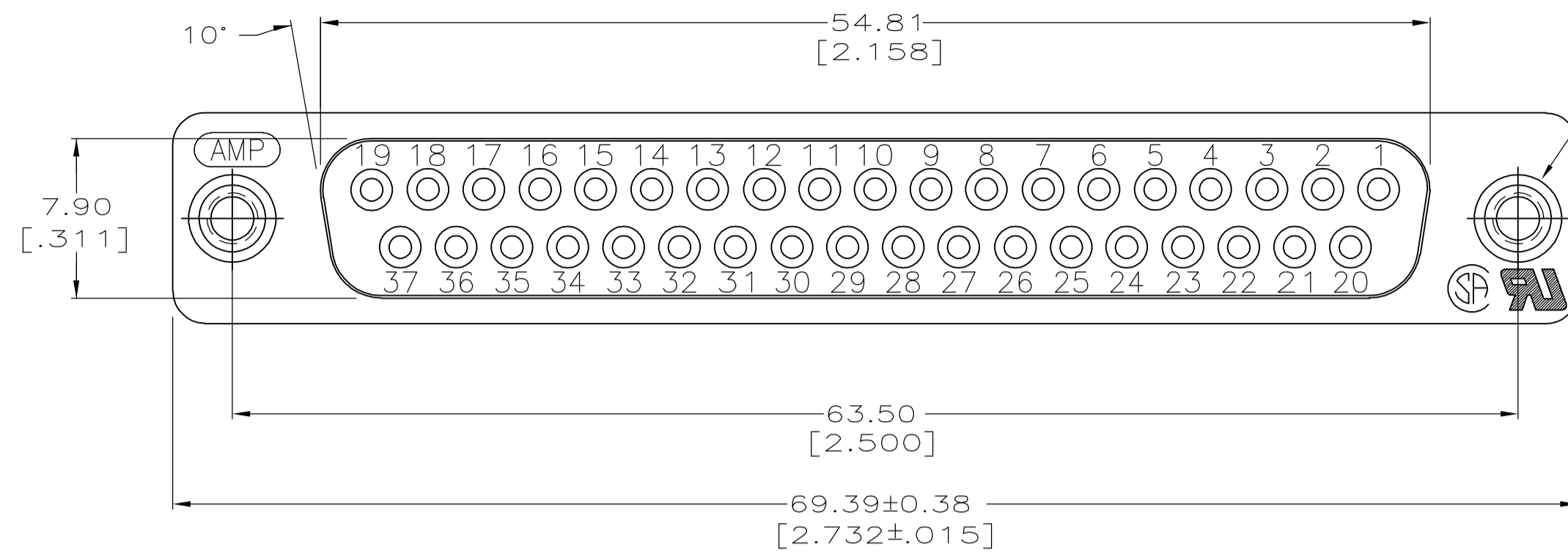
Tel: +86-755-8981 8866 Fax: +86-755-8427 6832

Email & Skype: info@chipsmall.com Web: www.chipsmall.com

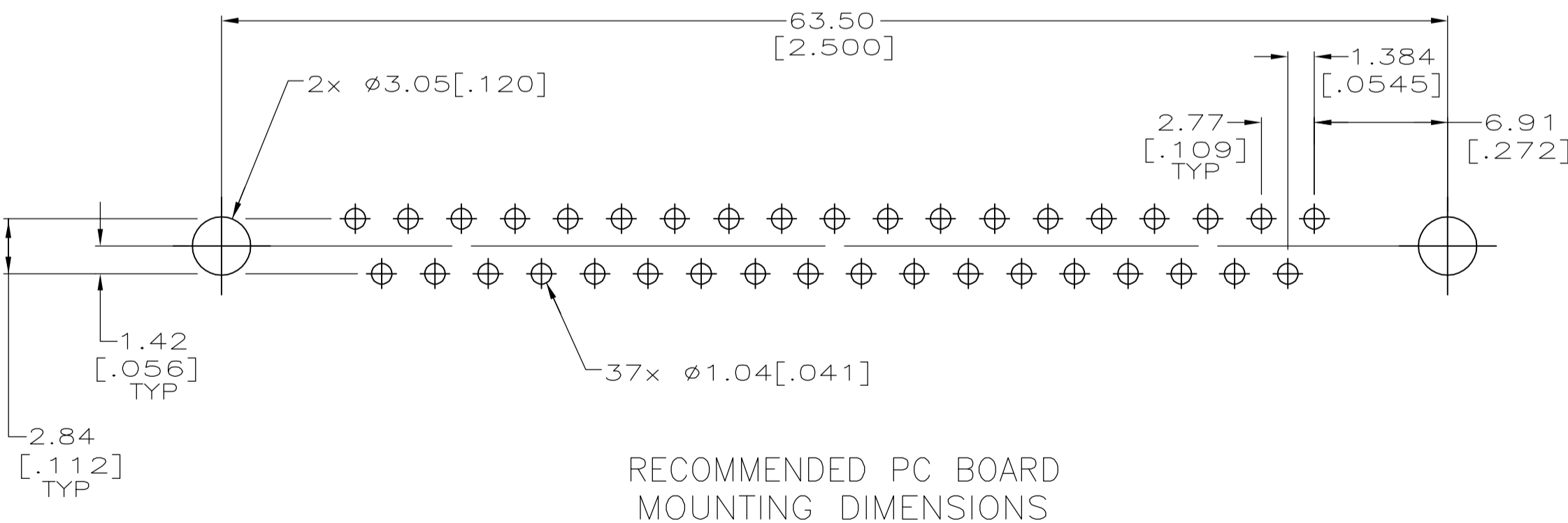
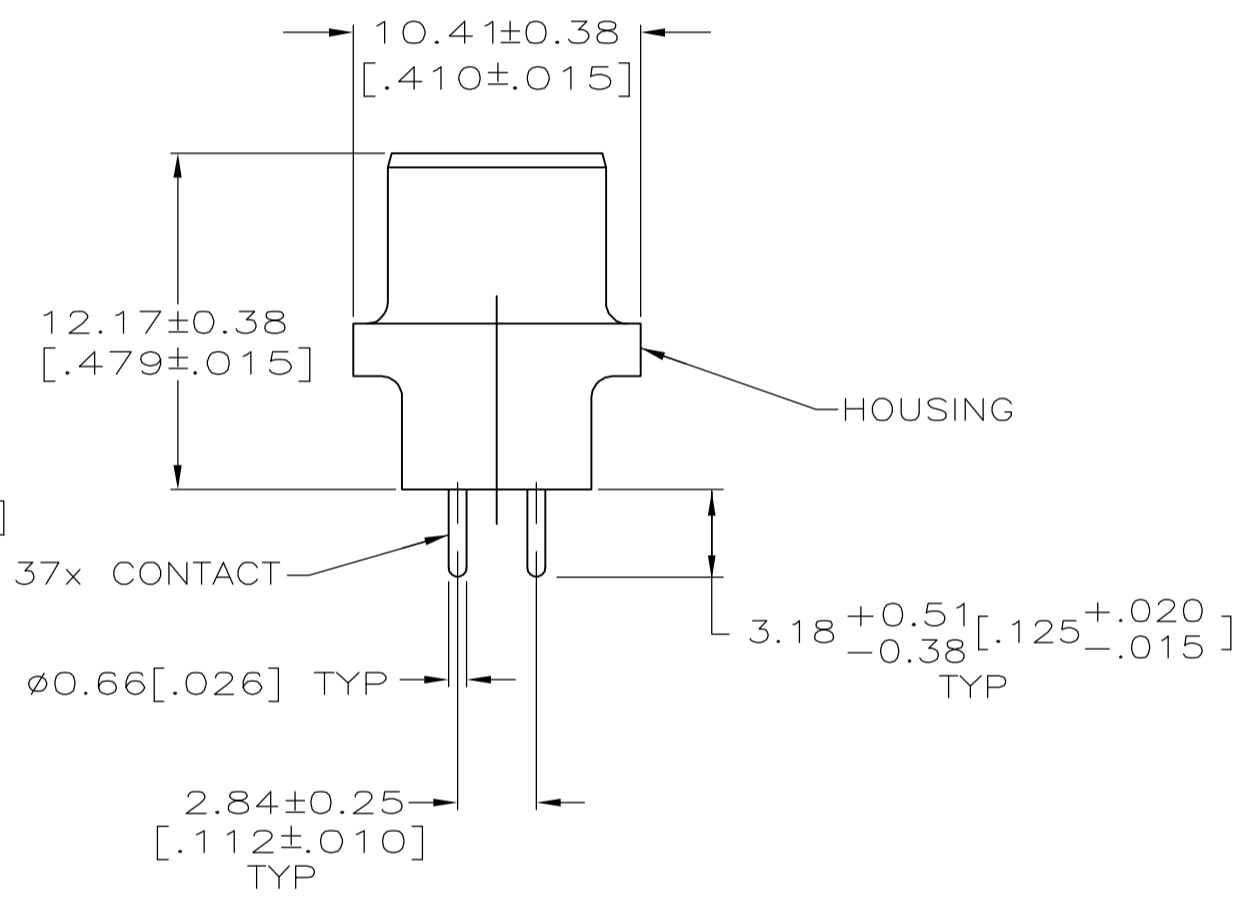
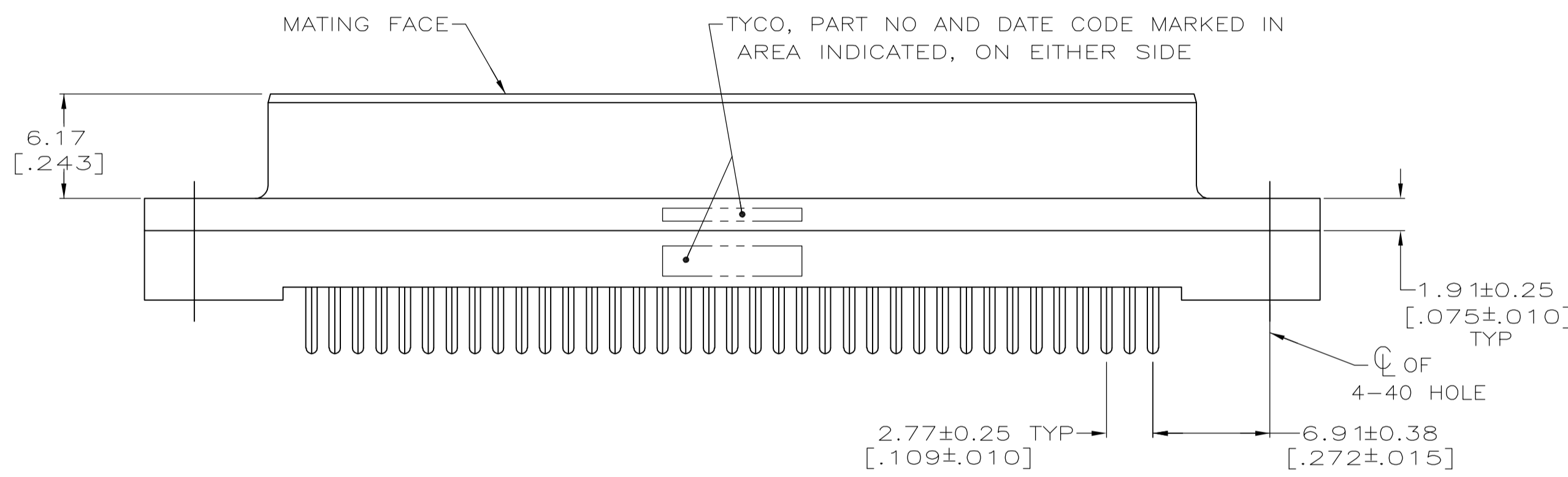
Address: A1208, Overseas Decoration Building, #122 Zhenhua RD., Futian, Shenzhen, China



LOC	DIST	REVISIONS					
GP	00	P	LTR	DESCRIPTION	DATE	DWN	APVD
		O		RELEASED PER EC 0513-0087-05	13SEP05	GP	JG



- 2X #4-40 INSERT
- 1 HOUSING: BLACK POLYESTER, UL 94V-0 RATED; CONTACTS: PHOSPHOR BRONZE; INSERTS: BRASS.
- 2 CONTACTS: 0.76 μm [.000030] MIN GOLD FOR A LENGTH OF 2.54 [.100] MIN FROM MATING END, 2.54 μm [.000100] MIN TIN ON OPPOSITE END, ALL OVER 1.27 μm [.000050] MIN NICKEL.



RECOMMENDED PC BOARD MOUNTING DIMENSIONS

**COPYRIGHT 2005
TYCO ELECTRONICS CORP
ALL RIGHTS RESERVED**

5745059-4
PART NO

THIS DRAWING IS A CONTROLLED DOCUMENT.		DWN G.PETERS 13SEP05		Tyco Electronics Corporation Harrisburg, PA 17105-3608	
DIMENSIONS: mm [INCHES]		CHK S.BOLASH 13SEP05		RECEPTACLE ASSEMBLY, SIZE 4, 37 POSN, VERTICAL, AMPLIMITE HD-20	
TOLERANCES UNLESS OTHERWISE SPECIFIED:		APVD M.WALMSLEY 13SEP05	NAME		
0 PLC ± -	1 PLC ± -	PRODUCT SPEC 108-40025	SIZE CAGE CODE DRAWING NO RESTRICTED TO		
2 PLC ± ± 0.13 [.005]	3 PLC ± -	APPLICATION SPEC	A2 00779 C-5745059		
4 PLC ± ± 2'	ANGLES ± ± 2'	FINISH	SCALE 4:1 SHEET 1 OF 1 REV 0		
MATERIAL		WEIGHT	CUSTOMER DRAWING		