



Chipsmall Limited consists of a professional team with an average of over 10 year of expertise in the distribution of electronic components. Based in Hongkong, we have already established firm and mutual-benefit business relationships with customers from,Europe,America and south Asia,supplying obsolete and hard-to-find components to meet their specific needs.

With the principle of "Quality Parts,Customers Priority,Honest Operation,and Considerate Service",our business mainly focus on the distribution of electronic components. Line cards we deal with include Microchip,ALPS,ROHM,Xilinx,Pulse,ON,Everlight and Freescale. Main products comprise IC,Modules,Potentiometer,IC Socket,Relay,Connector.Our parts cover such applications as commercial,industrial, and automotives areas.

We are looking forward to setting up business relationship with you and hope to provide you with the best service and solution. Let us make a better world for our industry!



Contact us

Tel: +86-755-8981 8866 Fax: +86-755-8427 6832

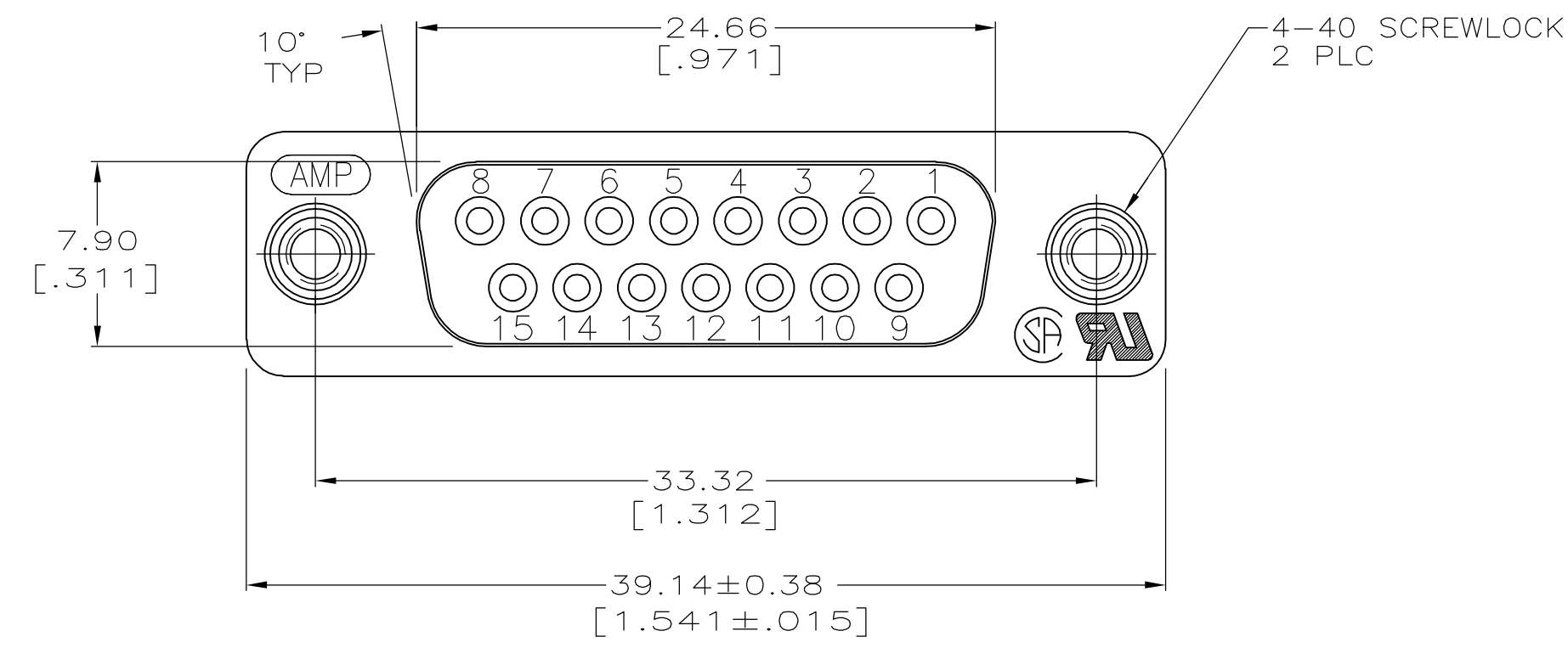
Email & Skype: info@chipsmall.com Web: www.chipsmall.com

Address: A1208, Overseas Decoration Building, #122 Zhenhua RD., Futian, Shenzhen, China

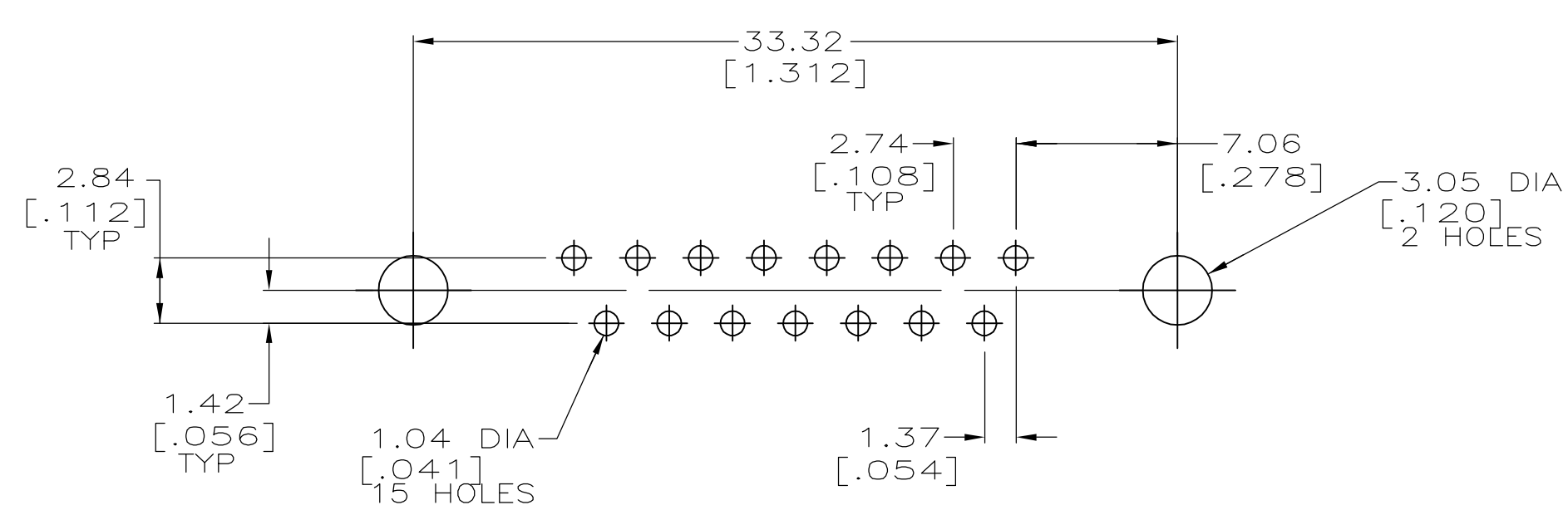
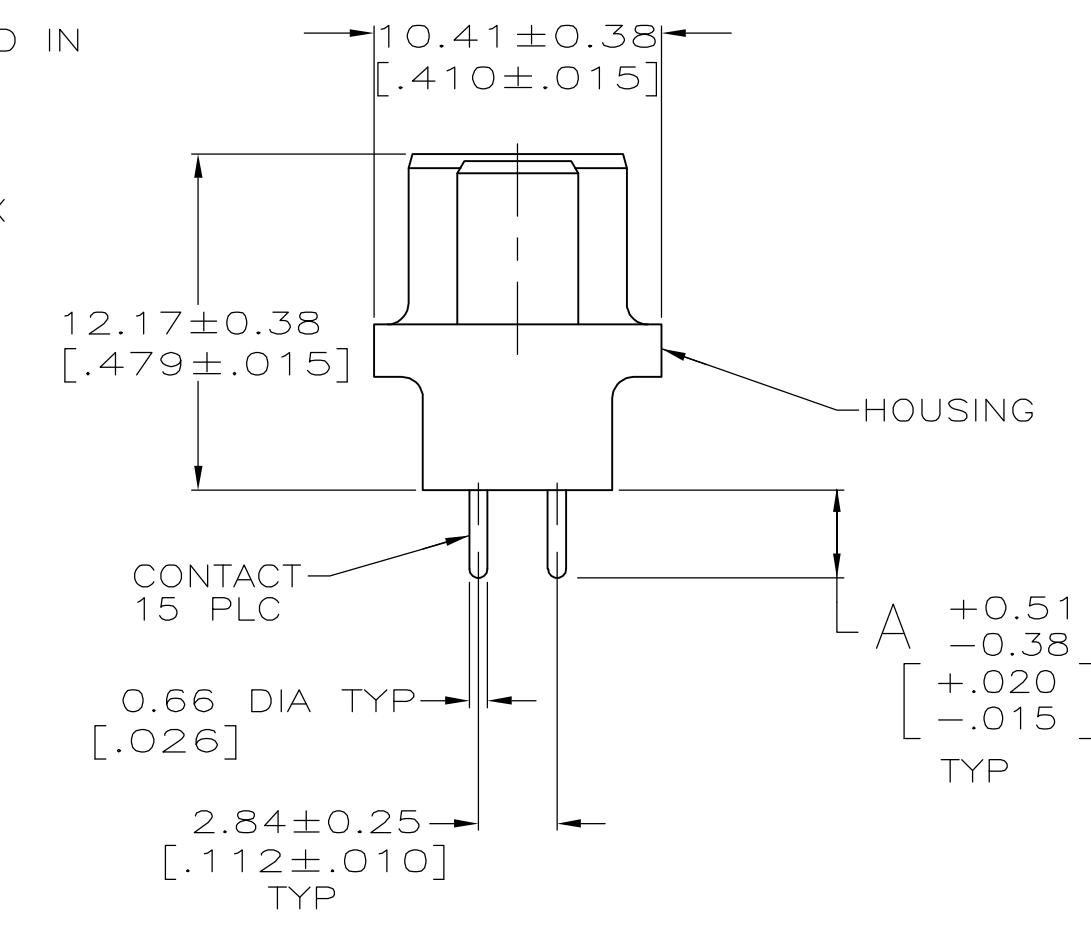
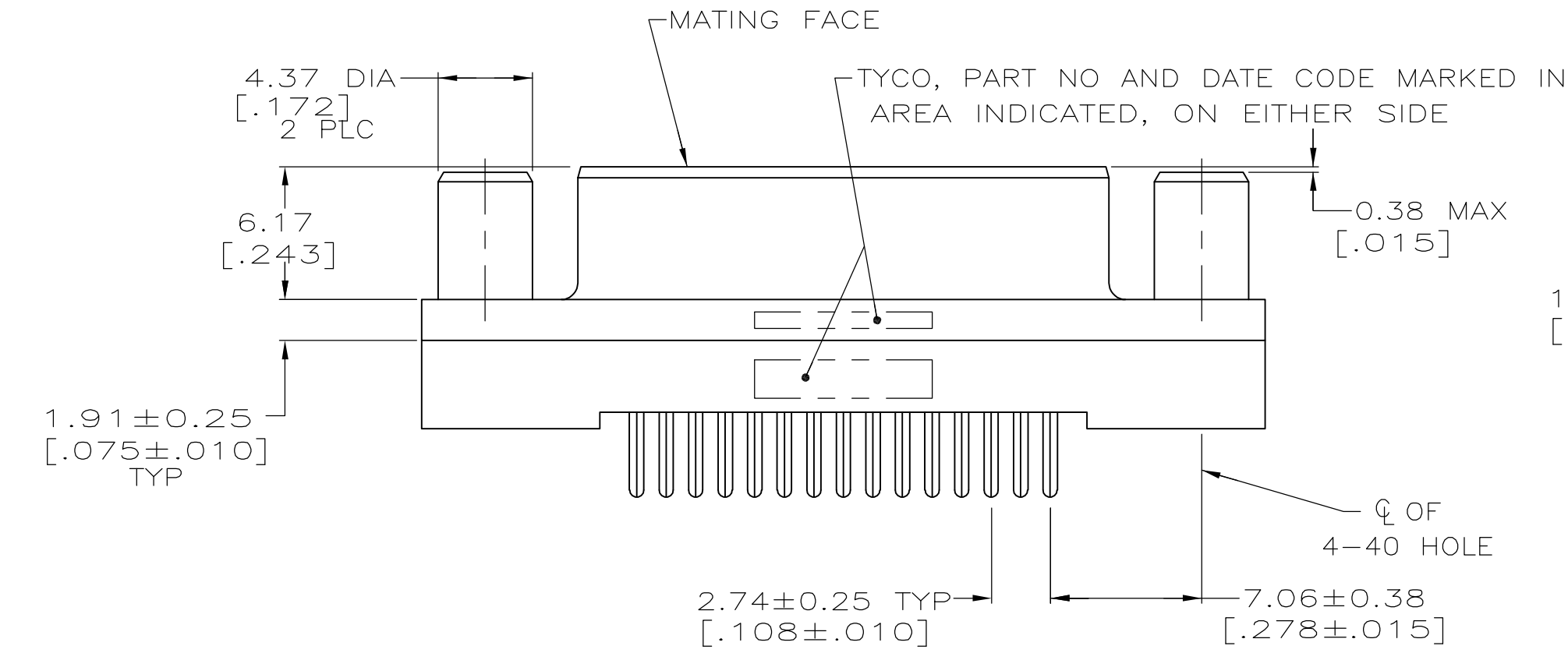


THIS DRAWING IS UNPUBLISHED. RELEASED FOR PUBLICATION
 © COPYRIGHT BY TYCO ELECTRONICS CORPORATION. ALL RIGHTS RESERVED.

LOC	DIST	REVISIONS			
P	LTR	DESCRIPTION	DATE	OWN	APVD
GP	00	0	RELEASED PER EC 0S13-0087-05	31AUG05	GP JG



- ① HOUSING: BLACK POLYESTER, UL 94V-0 RATED; CONTACTS: PHOSPHOR BRONZE; SCREWLOCKS: BRASS.
- ② CONTACTS: SEE TABLE. SCREWLOCKS: 1.27µm [0.000050] MIN NICKEL OVER COPPER FLASH.
- ③ GOLD FLASH FOR A LENGTH OF 2.54 [0.100] MIN FROM MATING END, 2.54µm [0.000100] MIN TIN FOR A LENGTH OF DIMENSION A FROM OPPOSITE END, ALL OVER 1.27µm [0.000050] MIN NICKEL.
- ④ 0.76 µm [0.000030] MIN GOLD FOR A LENGTH OF 2.54 [0.100] MIN FROM MATING END, 2.54µm [0.000100] MIN TIN FOR A LENGTH OF DIMENSION A FROM OPPOSITE END, ALL OVER 1.27µm [0.000050] MIN NICKEL.



RECOMMENDED PC BOARD MOUNTING DIMENSIONS

4.32 [0.170]	④	5745077-6
3.18 [0.125]	④	5745077-4
3.18 [0.125]	③	5745077-3
A	CONTACT FINISH	PART NO

THIS DRAWING IS A CONTROLLED DOCUMENT.		DWN	31AUG05	Tyco Electronics Corporation	
DIMENSIONS: mm [INCHES]		CHK	31AUG05	Harrisburg, Pa 17105-3608	
TOLERANCES UNLESS OTHERWISE SPECIFIED:		APVD	31AUG05	NAME	
0 PLC	± -	M. WALMSLEY		RECEPTACLE ASSEMBLY, SIZE 2, 15 POSN, VERTICAL, AMPLIMITE HD-20	
1 PLC	± -	PRODUCT SPEC		108-40025	
2 PLC	± 0.13 [0.005]	APPLICATION SPEC		-	
3 PLC	± -	SIZE		CAGE CODE	DRAWING NO
4 PLC	± - ± 2'	WEIGHT		00779	5745077
ANGLES	± - ± 2'	MATERIAL		RESTRICTED TO	
FINISH	②	CUSTOMER DRAWING		SCALE	4:1
				SHEET	1 OF 1
				REV	0