



Chipsmall Limited consists of a professional team with an average of over 10 year of expertise in the distribution of electronic components. Based in Hongkong, we have already established firm and mutual-benefit business relationships with customers from,Europe,America and south Asia,supplying obsolete and hard-to-find components to meet their specific needs.

With the principle of “Quality Parts,Customers Priority,Honest Operation,and Considerate Service”,our business mainly focus on the distribution of electronic components. Line cards we deal with include Microchip,ALPS,ROHM,Xilinx,Pulse,ON,Everlight and Freescale. Main products comprise IC,Modules,Potentiometer,IC Socket,Relay,Connector.Our parts cover such applications as commercial,industrial, and automotives areas.

We are looking forward to setting up business relationship with you and hope to provide you with the best service and solution. Let us make a better world for our industry!



Contact us

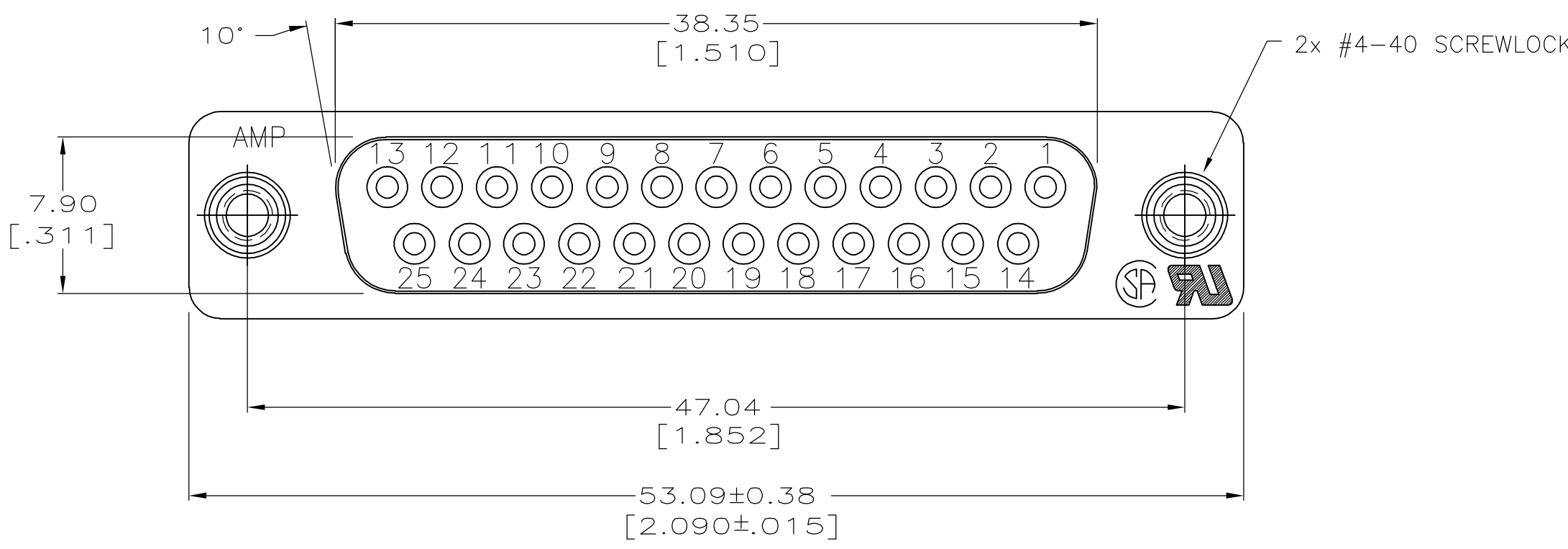
Tel: +86-755-8981 8866 Fax: +86-755-8427 6832

Email & Skype: info@chipsmall.com Web: www.chipsmall.com

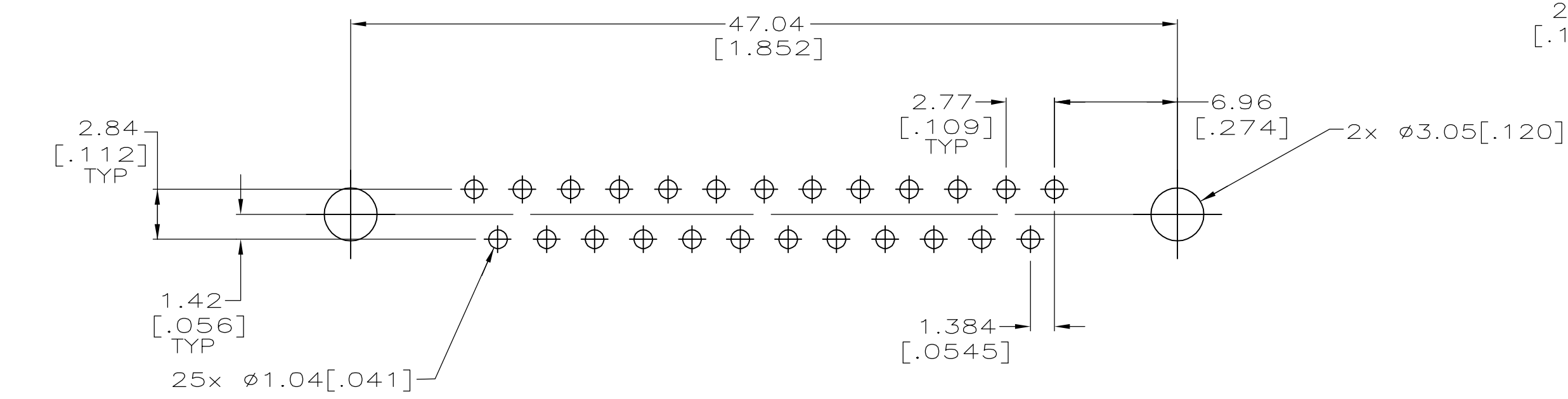
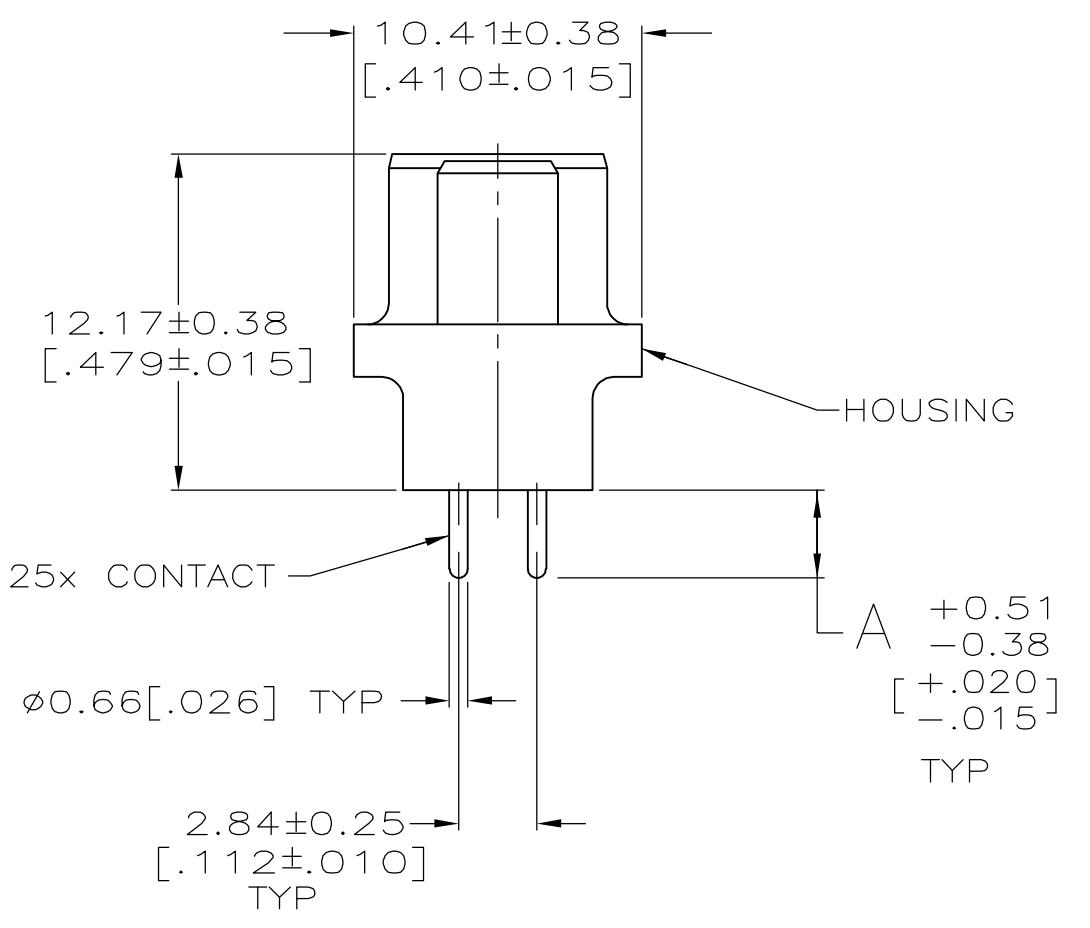
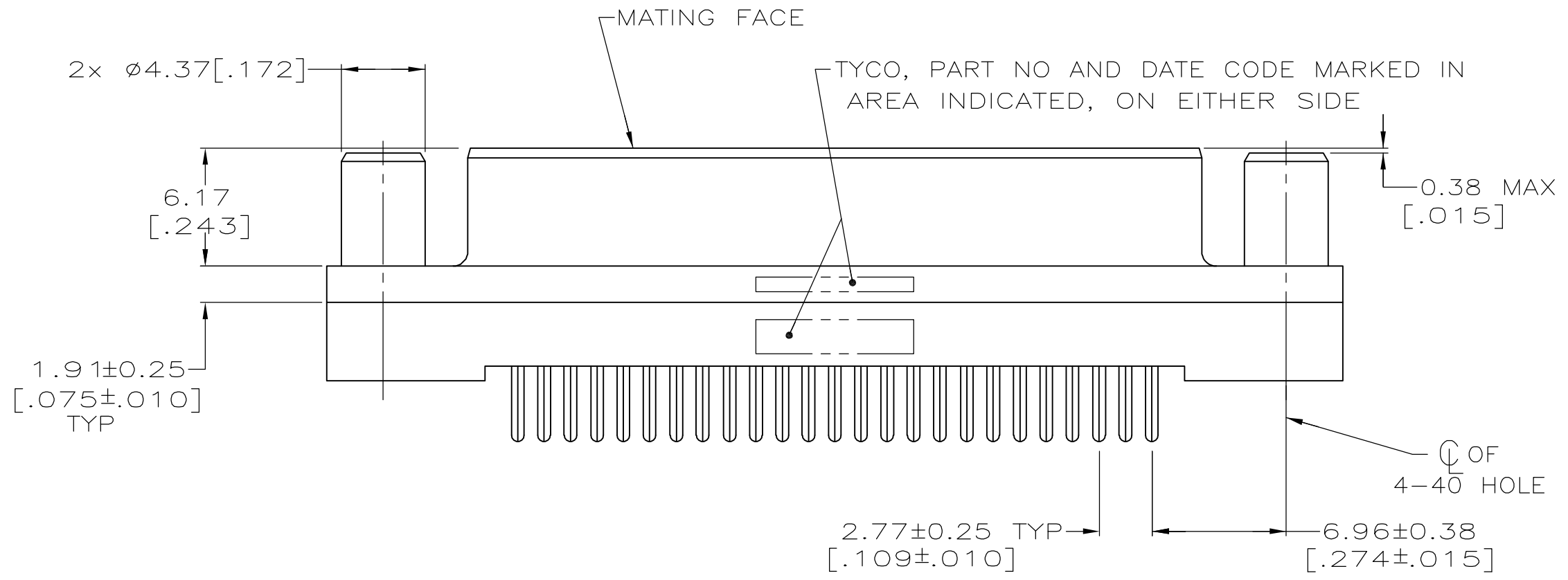
Address: A1208, Overseas Decoration Building, #122 Zhenhua RD., Futian, Shenzhen, China



LOC		DIST		REVISIONS			
P	LTR	DESCRIPTION	DATE	OWN	APVD		
GP	00	0	RELEASED PER EC 0513-0087-05	14SEP05	GP	JG	



- 1 HOUSING: BLACK POLYESTER, UL 94V-0 RATED; CONTACTS: CONTACTS: PHOSPHOR BRONZE; SCREWLOCKS: BRASS.
- 2 CONTACTS: SEE TABLE. SCREWLOCKS: 1.27µm[.000050] MIN NICKEL OVER COPPER FLASH.
- 3 GOLD FLASH FOR A LENGTH OF 2.54[.100] MIN FROM MATING END, 2.54µm[.000100] MIN TIN FOR A LENGTH OF DIMENSION A FROM OPPOSITE END, ALL OVER 1.27µm[.000050] MIN NICKEL.
- 4 0.76µm[.000030] MIN GOLD FOR A LENGTH OF 2.54[.100] MIN FROM MATING END, 2.54µm[.000100] MIN TIN FOR A LENGTH OF DIMENSION A FROM OPPOSITE END, ALL OVER 1.27µm[.000050] MIN NICKEL.



RECOMMENDED PC BOARD MOUNTING DIMENSIONS

4.32 [.170]	4	5745078-6
4.32 [.170]	3	5745078-5
3.18 [.125]	4	5745078-4
3.18 [.125]	3	5745078-3
A	CONTACT FINISH	PART NO

**COPYRIGHT 2005
TYCO ELECTRONICS CORP
ALL RIGHTS RESERVED**

THIS DRAWING IS A CONTROLLED DOCUMENT.		DWN	14SEP05	tyco Electronics		Tyco Electronics Corporation Harrisburg, PA 17105-3608	
DIMENSIONS: mm [INCHES]		CHK	14SEP05	RECEPTACLE ASSEMBLY, SIZE 3, 25 POSN, VERTICAL, AMPLIMITE HD-20			
TOLERANCES UNLESS OTHERWISE SPECIFIED:		APVD	14SEP05	NAME			
0 PLC ± -	1 PLC ± -	M.WALMSLEY		PRODUCT SPEC			
2 PLC ± ± 0.13 [.005]	3 PLC ± -	108-40025		APPLICATION SPEC			
4 PLC ± ± 2'	ANGLES ± ± 2'	-		SIZE			
MATERIAL	FINISH	WEIGHT		CAGE CODE		DRAWING NO	
1	2	-		A2 00779		G-5745078	
CUSTOMER DRAWING				SCALE		SHEET	
				4:1		1 of 1	
						REV 0	