



Chipsmall Limited consists of a professional team with an average of over 10 year of expertise in the distribution of electronic components. Based in Hongkong, we have already established firm and mutual-benefit business relationships with customers from,Europe,America and south Asia,supplying obsolete and hard-to-find components to meet their specific needs.

With the principle of “Quality Parts,Customers Priority,Honest Operation,and Considerate Service”,our business mainly focus on the distribution of electronic components. Line cards we deal with include Microchip,ALPS,ROHM,Xilinx,Pulse,ON,Everlight and Freescale. Main products comprise IC,Modules,Potentiometer,IC Socket,Relay,Connector.Our parts cover such applications as commercial,industrial, and automotives areas.

We are looking forward to setting up business relationship with you and hope to provide you with the best service and solution. Let us make a better world for our industry!



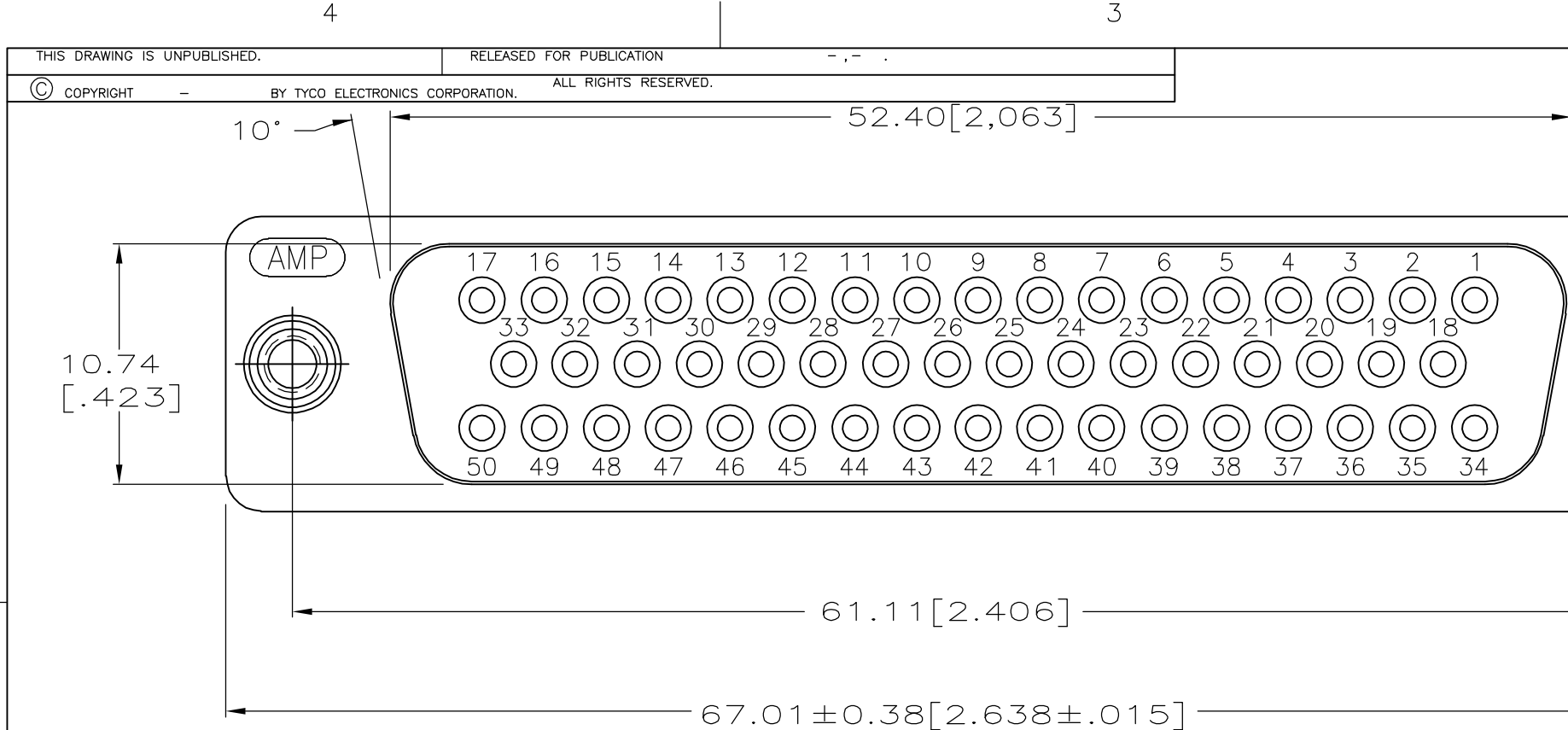
Contact us

Tel: +86-755-8981 8866 Fax: +86-755-8427 6832

Email & Skype: info@chipsmall.com Web: www.chipsmall.com

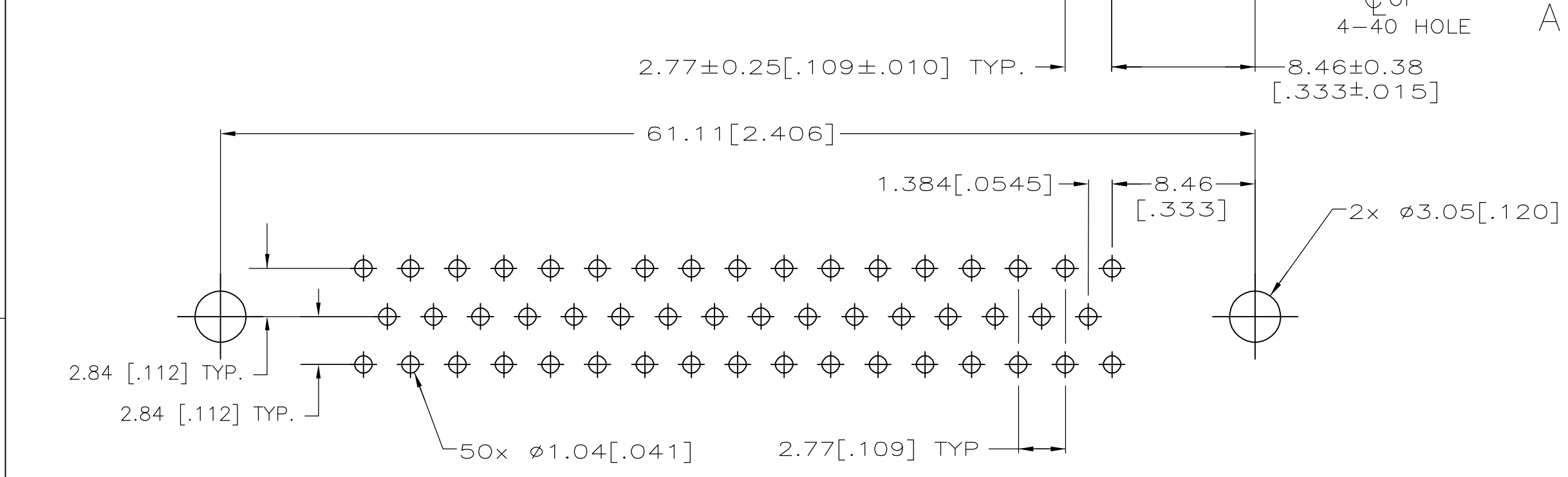
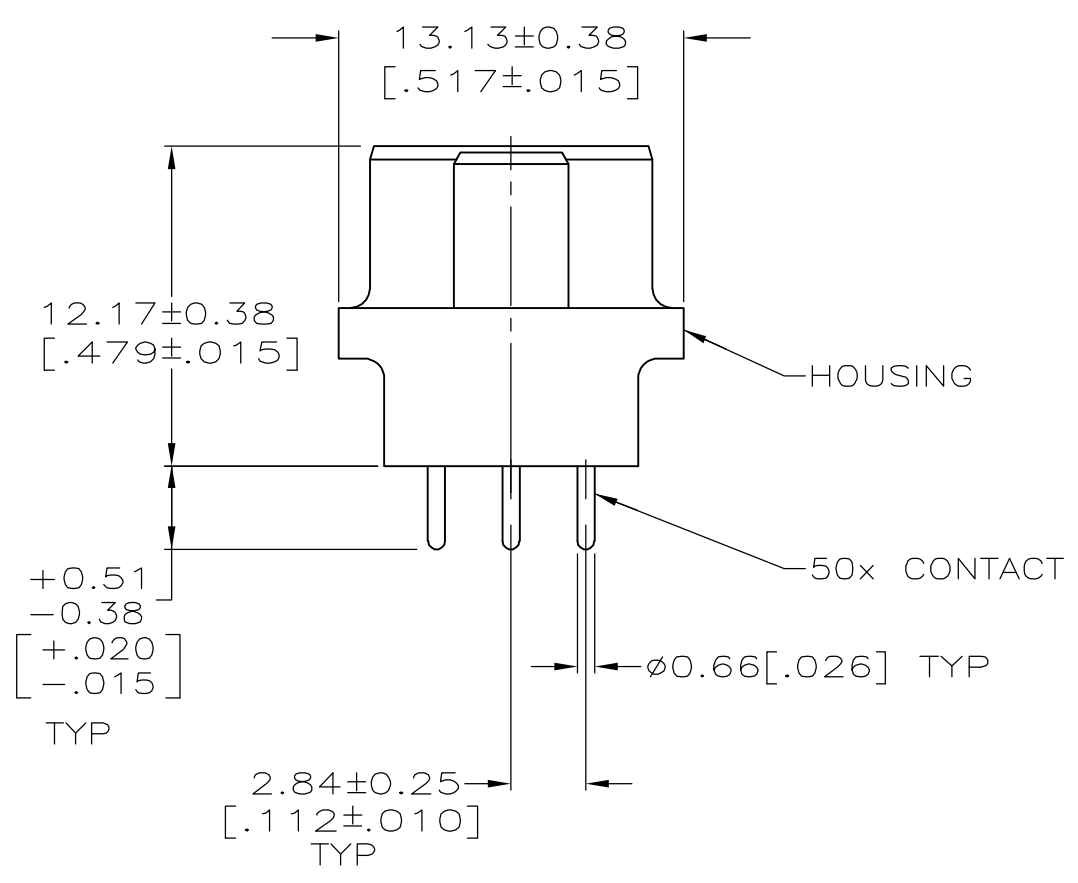
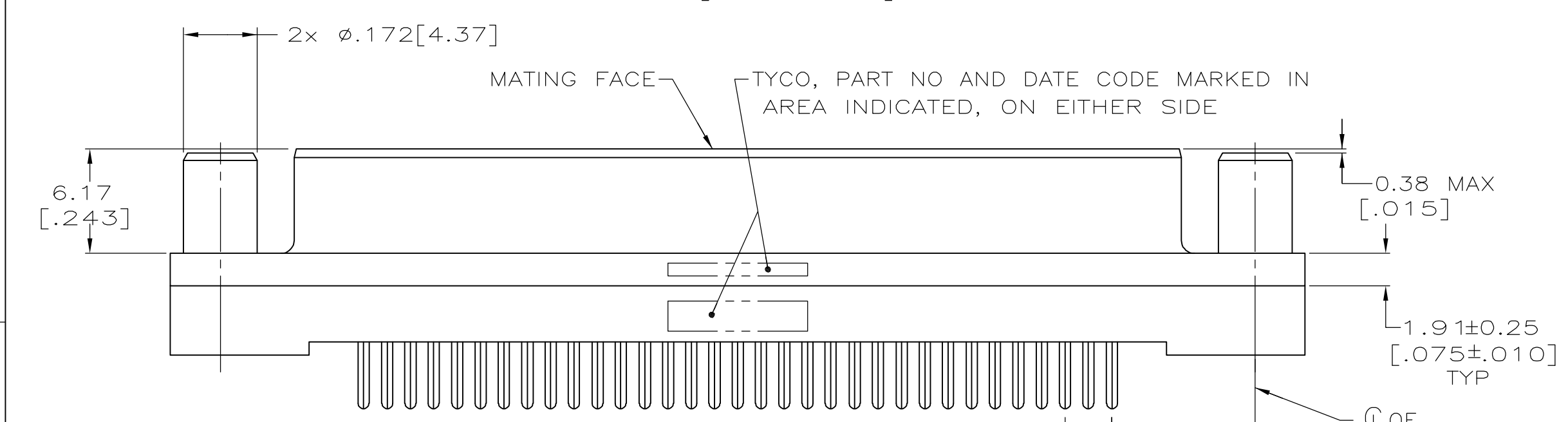
Address: A1208, Overseas Decoration Building, #122 Zhenhua RD., Futian, Shenzhen, China





LOC	DIST	REVISIONS					
GP	00	P	LTR	DESCRIPTION	DATE	DWN	APVD
		0		RELEASED PER EC 0S13-0087-05	14SEP05	GP	JG

- 1 HOUSING: BLACK POLYESTER, UL 94V-0 RATED; CONTACTS: PHOSPHOR BRONZE; SCREWLOCKS: BRASS.
- 2 CONTACTS: 0.76 μm [.000030] MIN GOLD FOR A LENGTH OF 2.54 [.100] MIN FROM MATING END, 2.54 μm [.000100] MIN TIN ON OPPOSITE END, ALL OVER 1.27 μm [.000050] MIN NICKEL. SCREWLOCKS: 1.27 μm [.000050] MIN NICKEL OVER COPPER FLASH.



4.32 [.170]	5745080-6
3.18 [.125]	5745080-4
A	PART NO

RECOMMENDED PC BOARD MOUNTING DIMENSIONS

COPYRIGHT 2005 TYCO ELECTRONICS CORP ALL RIGHTS RESERVED

THIS DRAWING IS A CONTROLLED DOCUMENT.		DWN	G.PETERS	14SEP05		Tyco Electronics Corporation	
DIMENSIONS: mm [INCHES]		CHK	S.BOLASH	14SEP05		Harrisburg, PA 17105-3608	
TOLERANCES UNLESS OTHERWISE SPECIFIED:		APVD	M.WALMSLEY	14SEP05	NAME		
0 PLC	± -	PRODUCT SPEC		RECEPTACLE ASSEMBLY, SIZE 5,			
1 PLC	± -	APPLICATION SPEC		50 POSN, VERTICAL,			
2 PLC	± 0.13 [.005]	108-40025		AMPLIMITE HD-20			
3 PLC	± -	SIZE		CAGE CODE	DRAWING NO	RESTRICTED TO	
4 PLC	± - ± 2'	A2		00779	5745080	-	
MATERIAL		WEIGHT		CUSTOMER DRAWING		SCALE	4:1
FINISH		-		SHEET		1 OF 1	REV
							0