



Chipsmall Limited consists of a professional team with an average of over 10 year of expertise in the distribution of electronic components. Based in Hongkong, we have already established firm and mutual-benefit business relationships with customers from,Europe,America and south Asia,supplying obsolete and hard-to-find components to meet their specific needs.

With the principle of “Quality Parts,Customers Priority,Honest Operation,and Considerate Service”,our business mainly focus on the distribution of electronic components. Line cards we deal with include Microchip,ALPS,ROHM,Xilinx,Pulse,ON,Everlight and Freescale. Main products comprise IC,Modules,Potentiometer,IC Socket,Relay,Connector.Our parts cover such applications as commercial,industrial, and automotives areas.

We are looking forward to setting up business relationship with you and hope to provide you with the best service and solution. Let us make a better world for our industry!



## Contact us

Tel: +86-755-8981 8866 Fax: +86-755-8427 6832

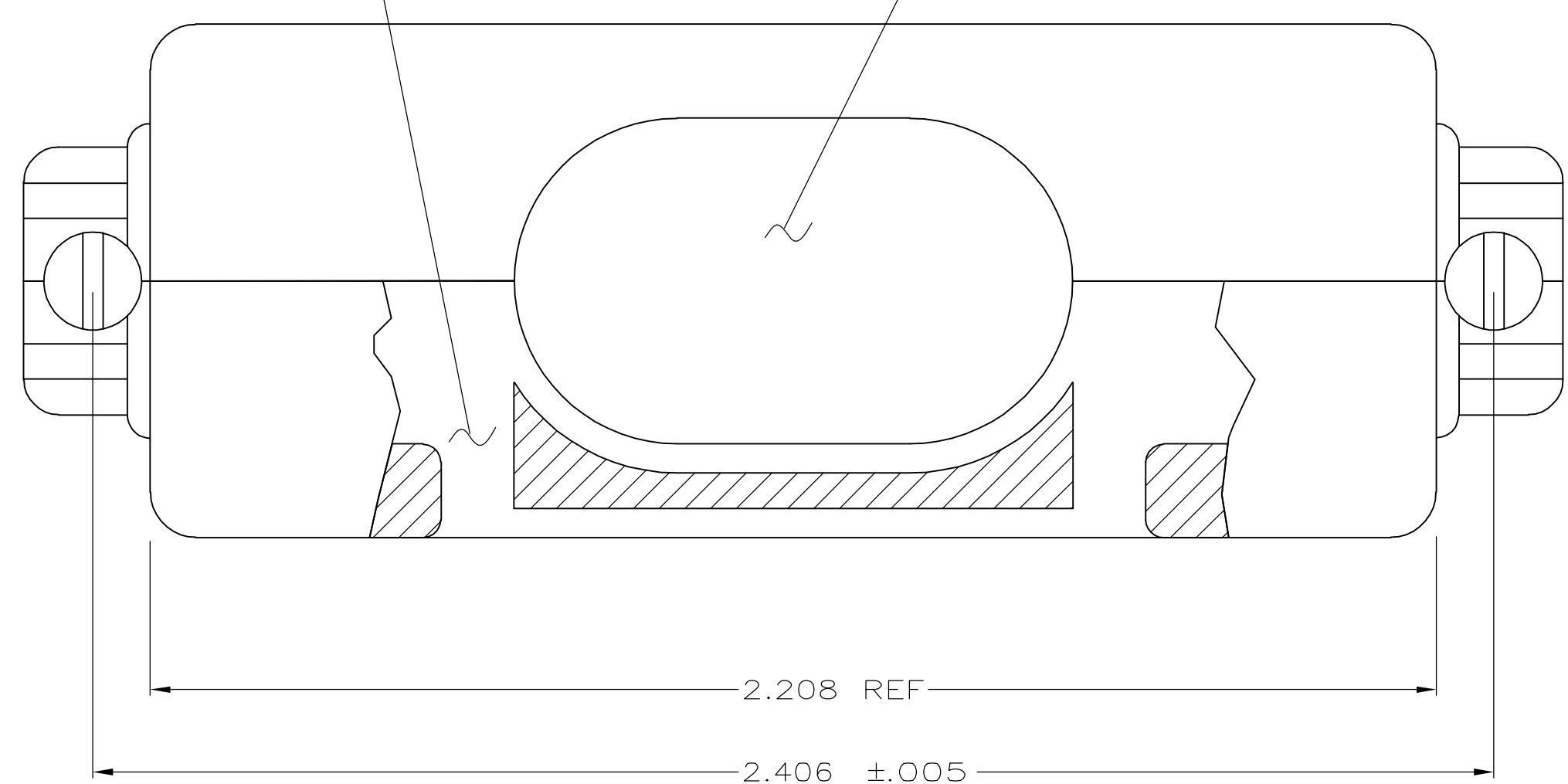
Email & Skype: info@chipsmall.com Web: www.chipsmall.com

Address: A1208, Overseas Decoration Building, #122 Zhenhua RD., Futian, Shenzhen, China

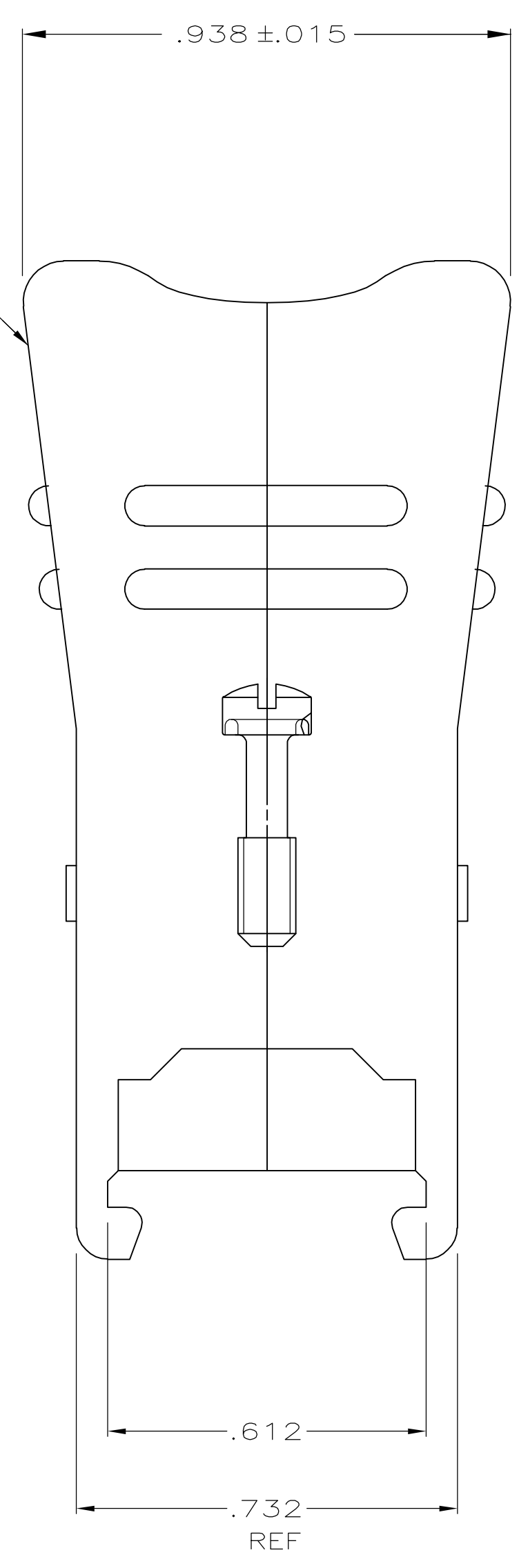


- 1 THIS PART WILL FIT ANY SIZE 5 PLUG OR RECEPTACLE IN THE AMPLIMITE SERIES CONNECTOR.
  - 2 ALL PARTS ARE PACKAGED UNASSEMBLED.
- ③ ONE KIT PER POLY BAG.

INTERNAL CABLE TIE OPENINGS  
 CABLE OPENING OF .471 SQUARE INCHES=.775 DIA

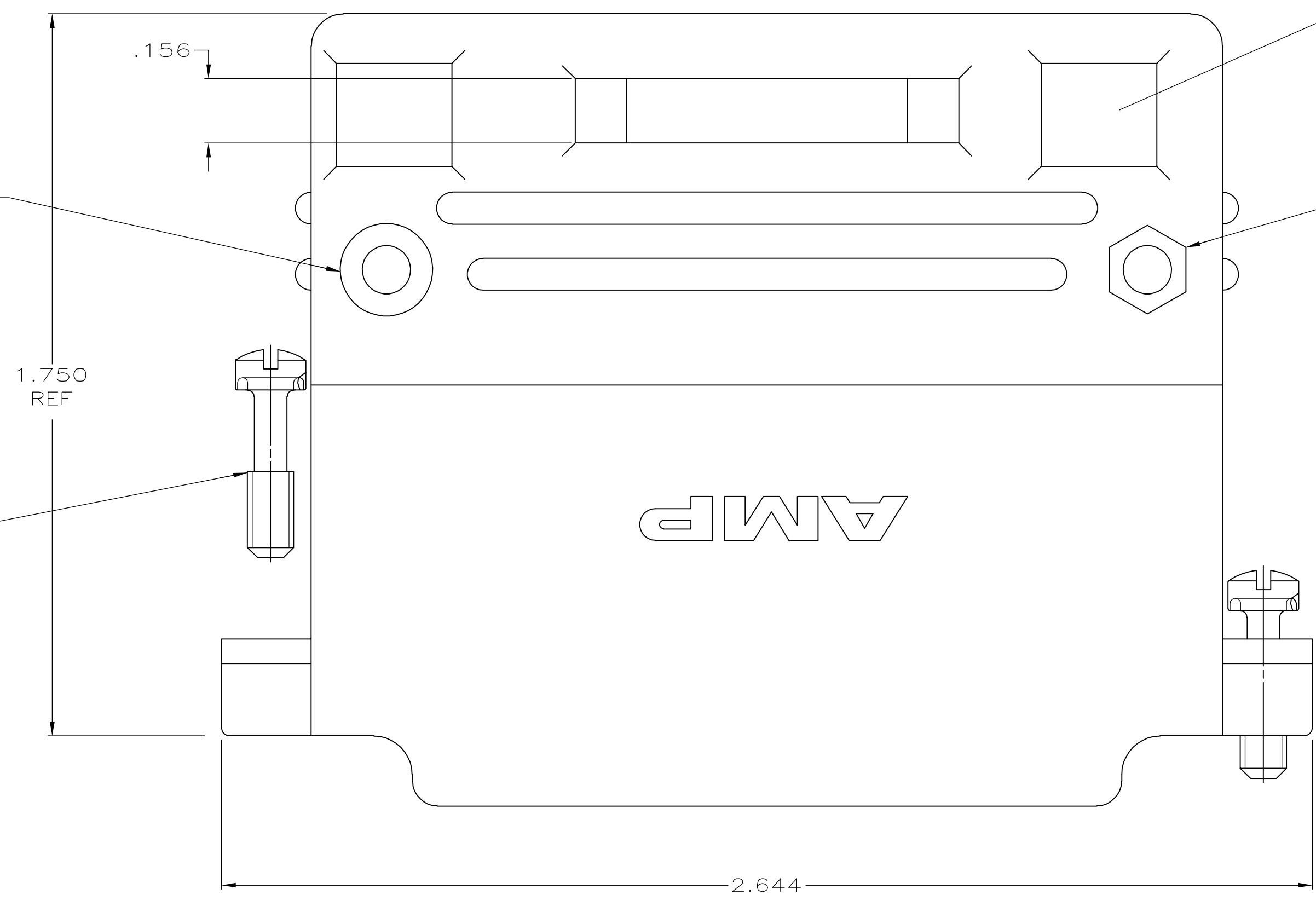


TWO PIECE CABLE SUPPORT HOUSING MATERIAL-THERMOPLASTIC GRAY



#4-40 STEEL SCREW  
 ZINC PLATED  
 CLEAR CHROMATE COATED  
 2 REQUIRED

#4-40 CRS SCREW  
 ZINC PLATED  
 YELLOW CHROMATE COATED  
 2 REQUIRED



EXTERNAL CABLE TIE OPENINGS

#4-40 HEX NUT STEEL  
 ZINC PLATED  
 CLEAR CHROMATE COATED

③	5745082-1
PACKAGING	PART NUMBER

THIS DRAWING IS A CONTROLLED DOCUMENT.		DWN R. RICHARDSON 14SEP05	Tyco Electronics Corporation Harrisburg, PA 17105-3608
DIMENSIONS: INCHES		CHK C. ROHDE 14SEP05	
TOLERANCES UNLESS OTHERWISE SPECIFIED:		APVD M. WALMSLEY 14SEP04	NAME
0 PLC ± -			CABLE SUPPORT ASSEMBLY, SIZE 5, 50 POSN, 90 DEGREES/180 DEGREES, AMPLIMITE HD-20
1 PLC ± -			
2 PLC ± -			
3 PLC ± .010			
4 PLC ± -			APPLICATION SPEC
ANGLES ± -			SIZE
FINISH	SEE CALLOUTS	WEIGHT	CAGE CODE
MATERIAL	SEE CALLOUTS	RESTRICTED TO	DRAWING NO
			A1 00779
			5745082
			CUSTOMER DRAWING
			SCALE 4:1
			SHEET 1 of 1
			REV 0