



Chipsmall Limited consists of a professional team with an average of over 10 year of expertise in the distribution of electronic components. Based in Hongkong, we have already established firm and mutual-benefit business relationships with customers from,Europe,America and south Asia,supplying obsolete and hard-to-find components to meet their specific needs.

With the principle of “Quality Parts,Customers Priority,Honest Operation,and Considerate Service”,our business mainly focus on the distribution of electronic components. Line cards we deal with include Microchip,ALPS,ROHM,Xilinx,Pulse,ON,Everlight and Freescale. Main products comprise IC,Modules,Potentiometer,IC Socket,Relay,Connector.Our parts cover such applications as commercial,industrial, and automotives areas.

We are looking forward to setting up business relationship with you and hope to provide you with the best service and solution. Let us make a better world for our industry!



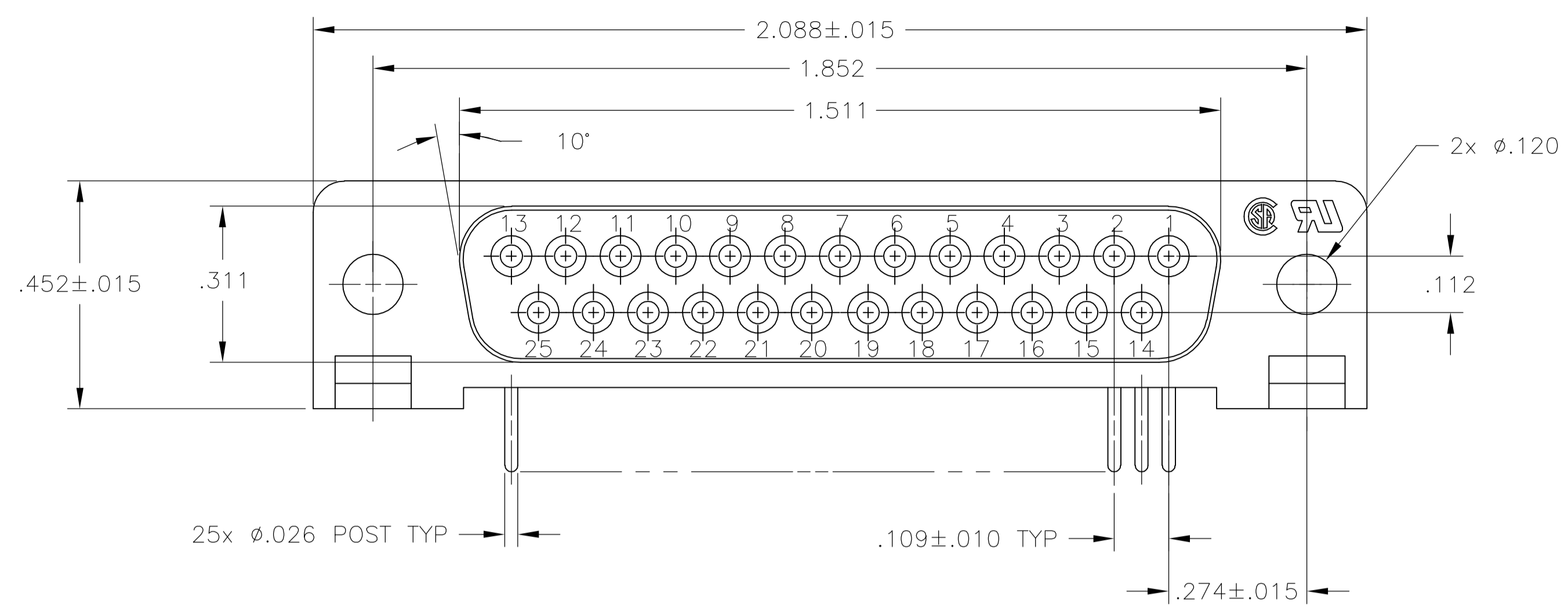
Contact us

Tel: +86-755-8981 8866 Fax: +86-755-8427 6832

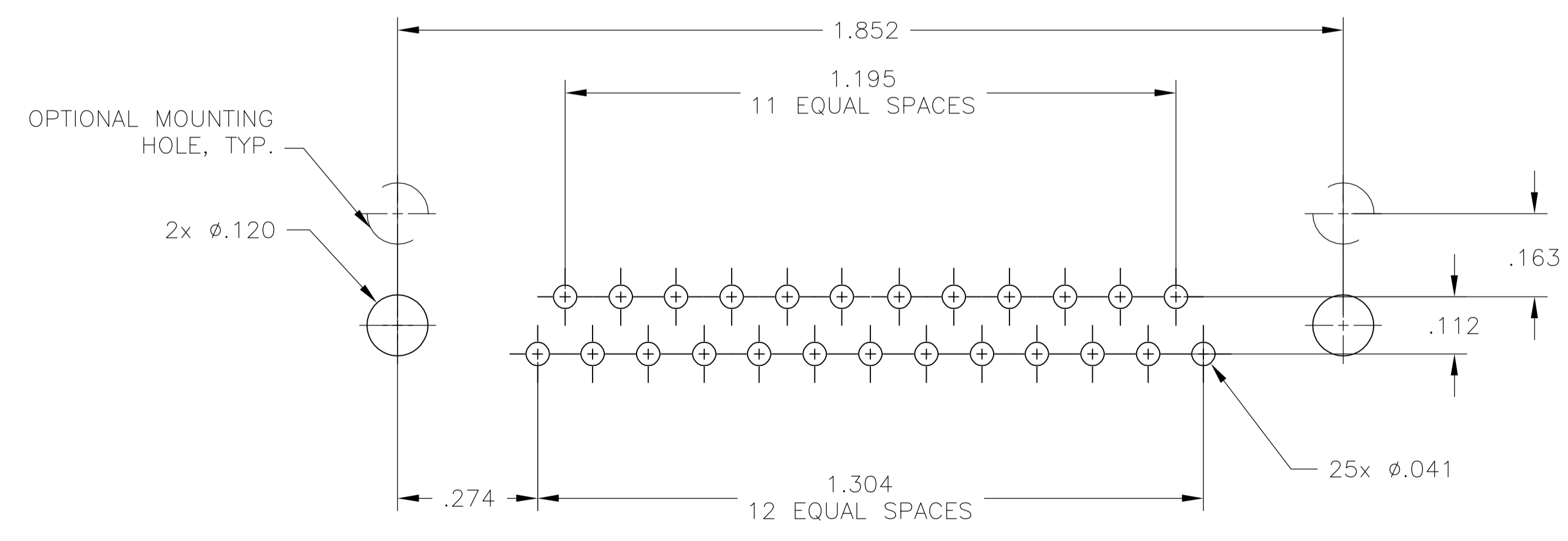
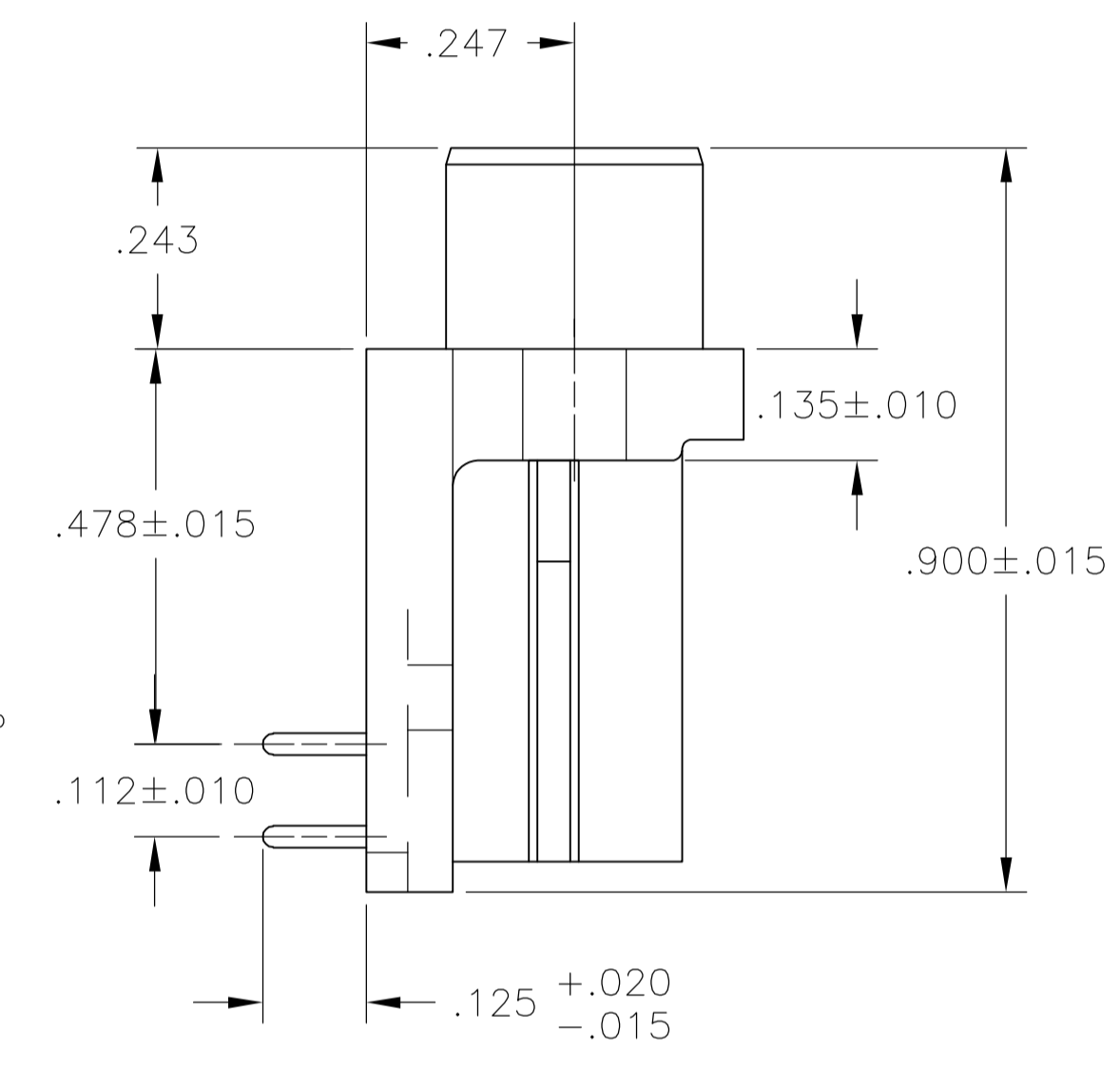
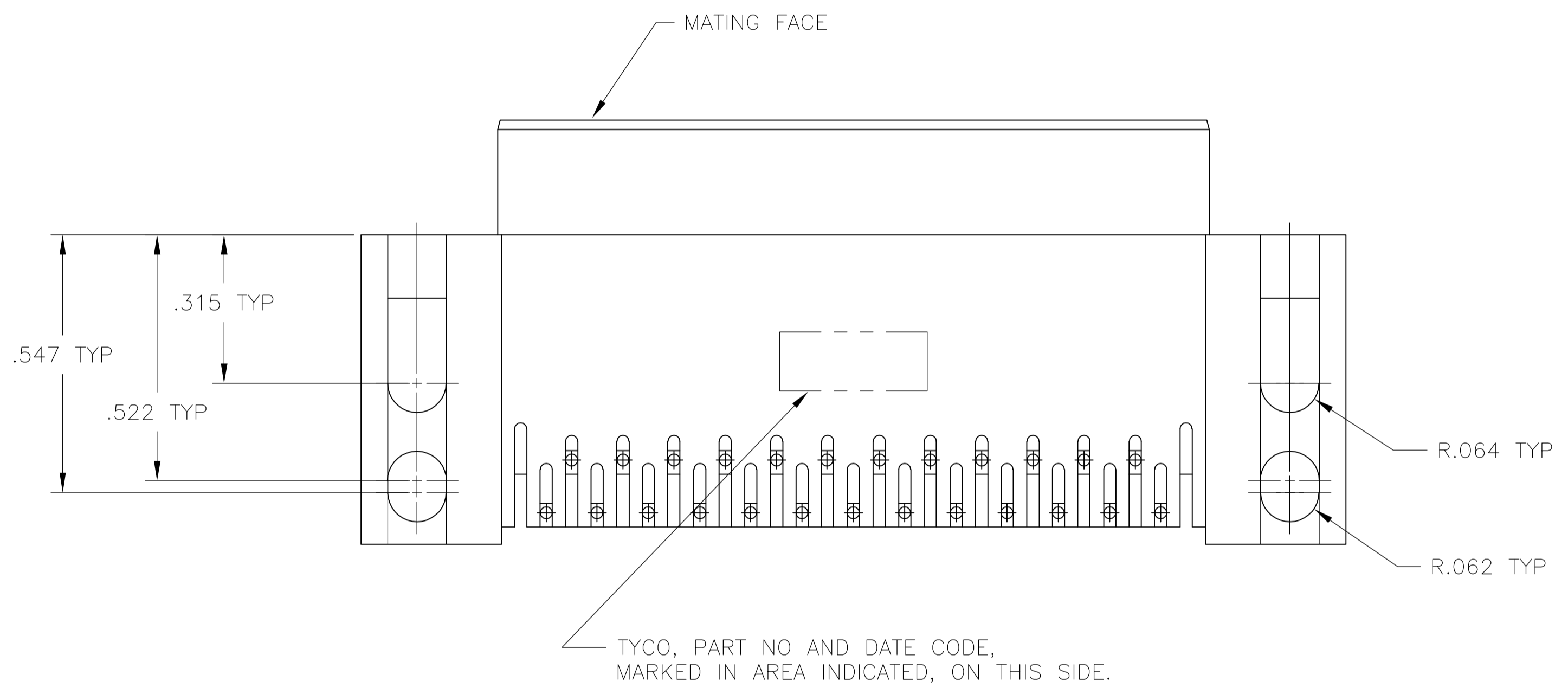
Email & Skype: info@chipsmall.com Web: www.chipsmall.com

Address: A1208, Overseas Decoration Building, #122 Zhenhua RD., Futian, Shenzhen, China





- 1 HOUSING: FLAME RETARDANT, 94V-0 RATED, GLASS FILLED NYLON OR POLYESTER, COLOR: BLACK
CONTACTS: PHOS. BRONZE
- 2 REFER TO APPLICATION SPEC FOR RECOMMENDED P.C. BOARD MOUNTING DIMENSIONS FOR AUTOMATIC INSERTION.
- 3 CONTACTS: PLATED WITH .000030 MIN GOLD FOR LENGTH OF .055 MIN FROM MATING END, .000100 MIN TIN ON SOLDER END, ALL OVER .000050 MIN NICKEL ON ENTIRE CONTACT.



RECOMMENDED P.C. BOARD MOUNTING DIMENSIONS

**COPYRIGHT 2005
 TYCO ELECTRONICS CORP
 ALL RIGHTS RESERVED**

5745085-2
 PART NUMBER

| | | | |
|--|---------------|---------------------------|---|
| THIS DRAWING IS A CONTROLLED DOCUMENT. | | DWG: G.PETERS 14SEP05 | Tyco Electronics Corporation Harrisburg, PA 17105-3608 |
| DIMENSIONS: INCHES | | CHK: S.BOLASH 14SEP05 | |
| TOLERANCES UNLESS OTHERWISE SPECIFIED: | | APP'D: M.WALMSLEY 14SEP05 | NAME: RECEPTACLE ASSY, SIZE 3, 25 POSN, RIGHT ANGLE, .478 SERIES, .026 DIA POSTS, AMPLIMITE HD-20 |
| 0 PLC ± - | 1 PLC ± - | PRODUCT SPEC: 108-40025 | APPLICATION SPEC: 114-40015 |
| 2 PLC ± - | 3 PLC ± -.005 | SIZE: A1 | SCALE: 4:1 |
| 4 PLC ± - | ANGLES ± ± ° | WEIGHT: - | SHEET 1 OF 1 |
| MATERIAL: | FINISH: | CUSTOMER DRAWING | REV 0 |