



Chipsmall Limited consists of a professional team with an average of over 10 year of expertise in the distribution of electronic components. Based in Hongkong, we have already established firm and mutual-benefit business relationships with customers from,Europe,America and south Asia,supplying obsolete and hard-to-find components to meet their specific needs.

With the principle of “Quality Parts,Customers Priority,Honest Operation,and Considerate Service”,our business mainly focus on the distribution of electronic components. Line cards we deal with include Microchip,ALPS,ROHM,Xilinx,Pulse,ON,Everlight and Freescale. Main products comprise IC,Modules,Potentiometer,IC Socket,Relay,Connector.Our parts cover such applications as commercial,industrial, and automotives areas.

We are looking forward to setting up business relationship with you and hope to provide you with the best service and solution. Let us make a better world for our industry!



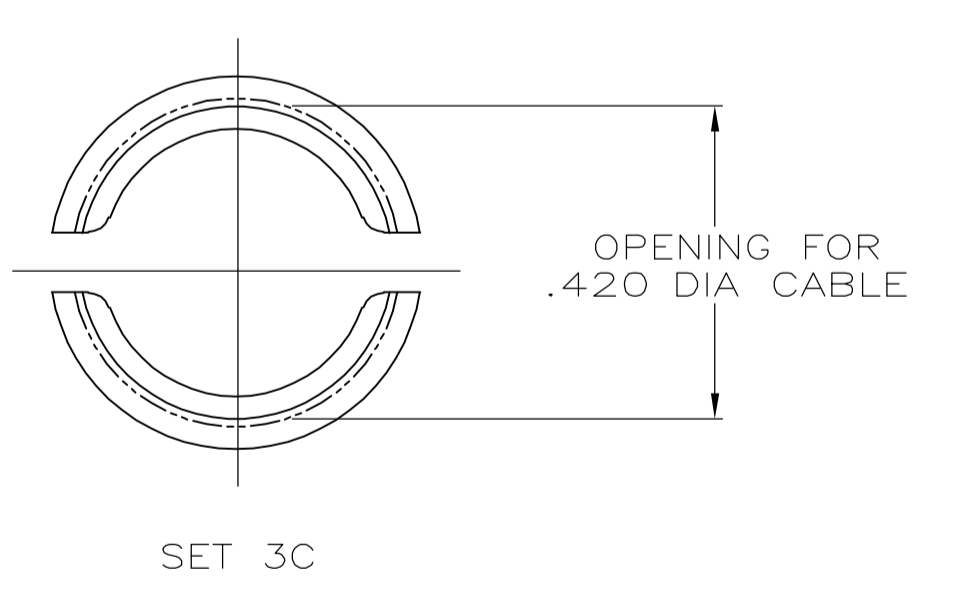
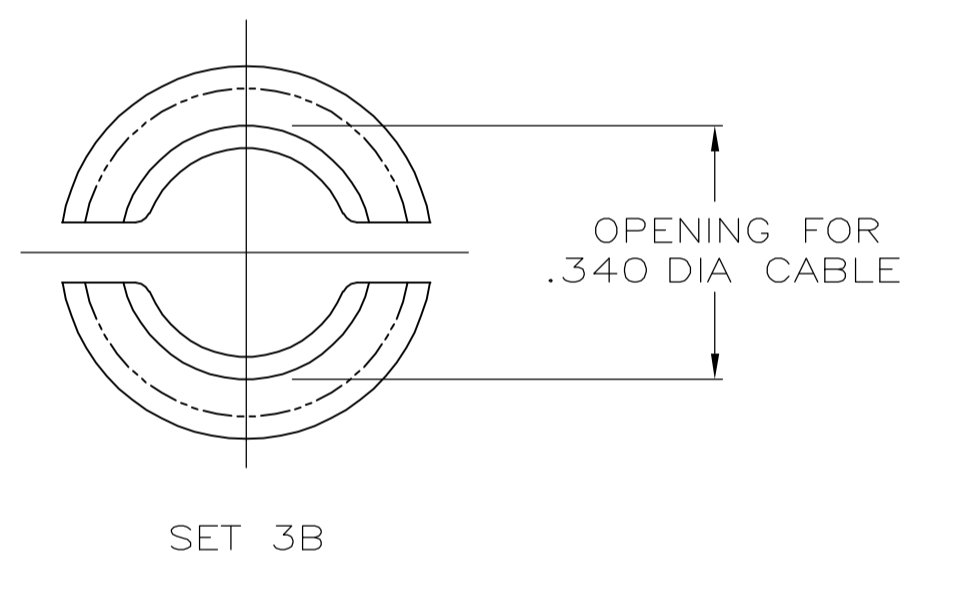
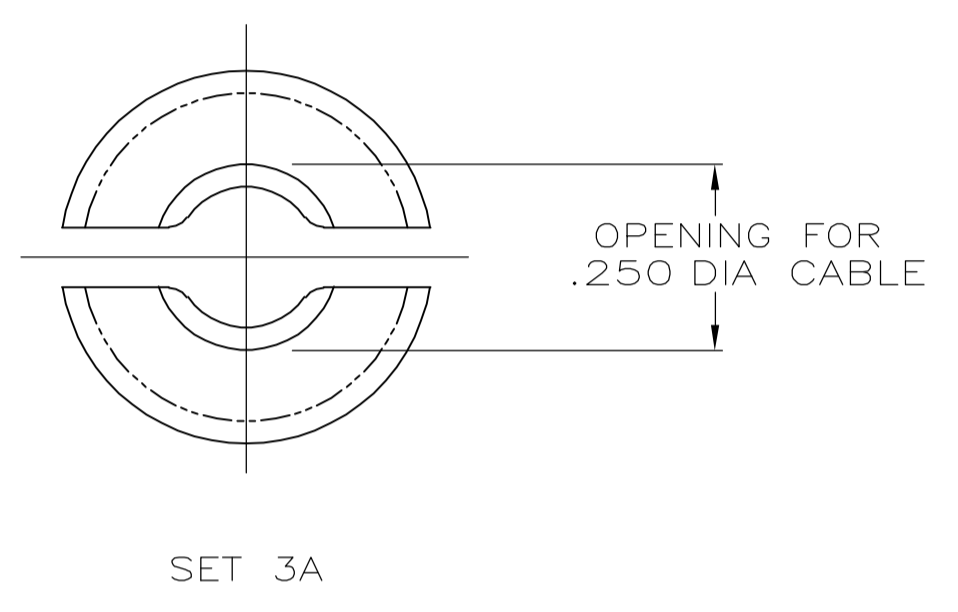
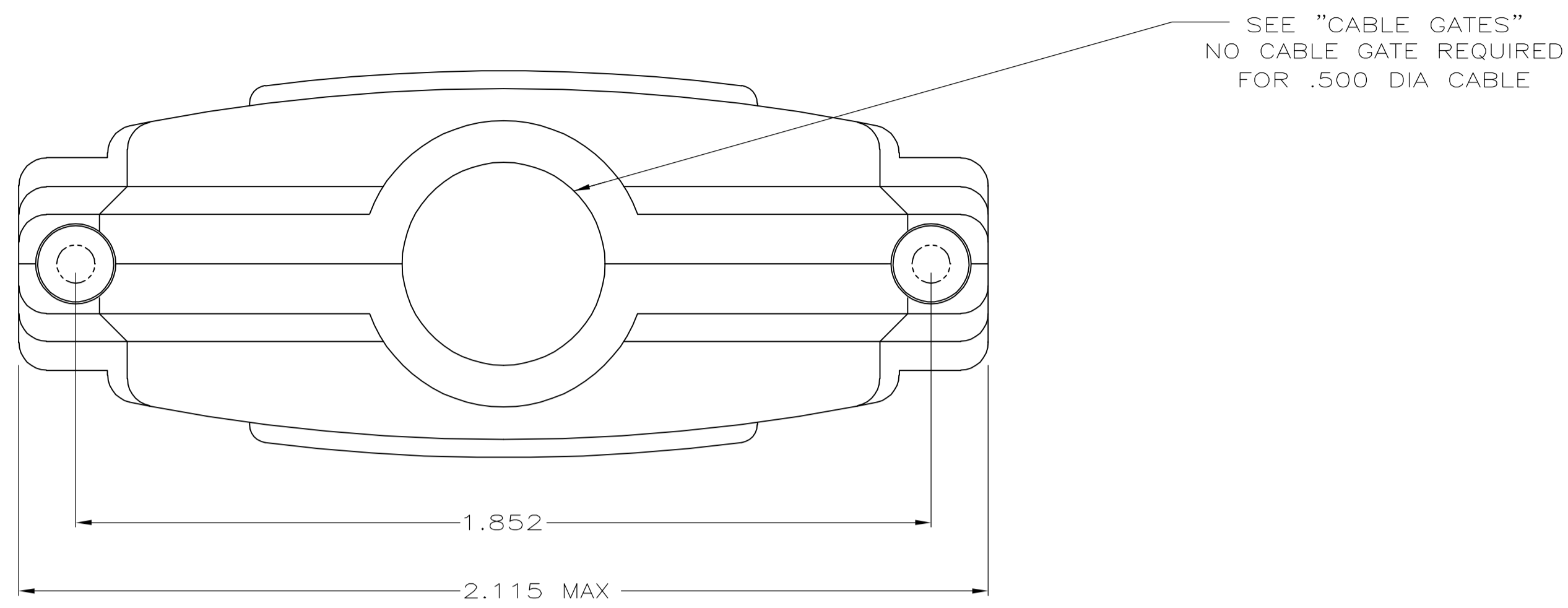
## Contact us

Tel: +86-755-8981 8866 Fax: +86-755-8427 6832

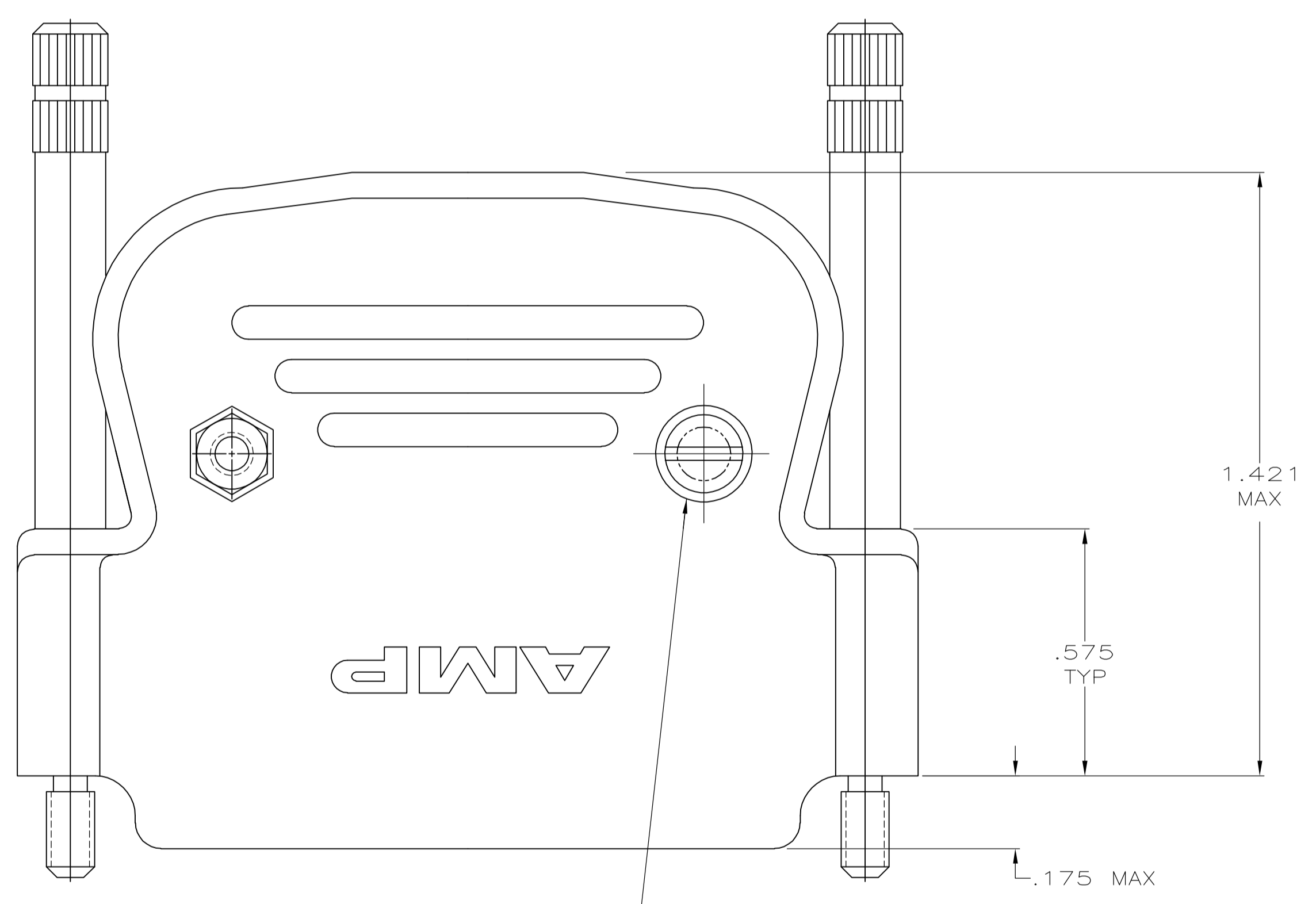
Email & Skype: info@chipsmall.com Web: www.chipsmall.com

Address: A1208, Overseas Decoration Building, #122 Zhenhua RD., Futian, Shenzhen, China

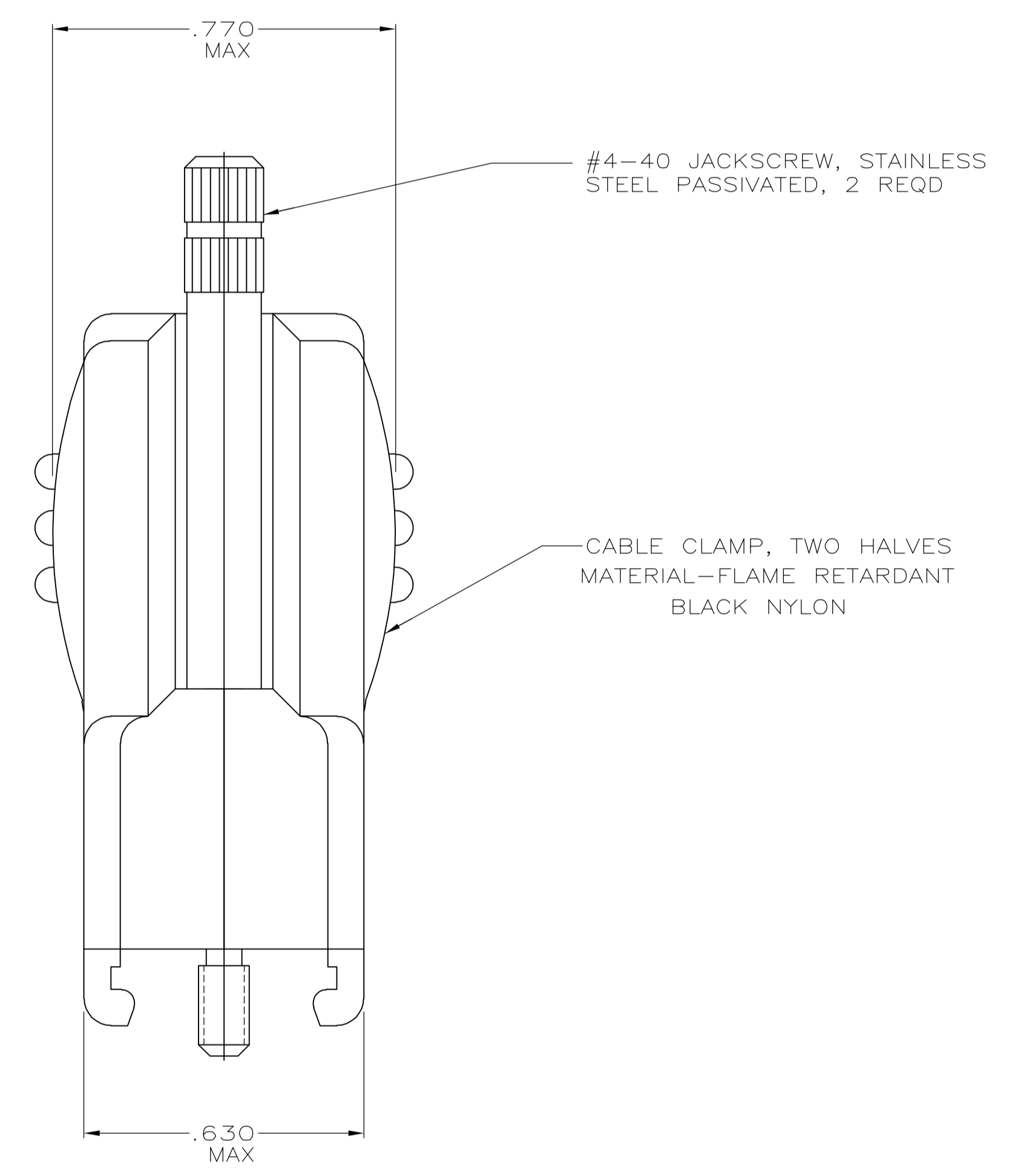




CABLE GATES



#4-40 x .500 LONG STEEL  
 FIL HEAD SCREW & HEX NUT  
 ZINC PLATED, CLEAR CHROMATE COATED  
 2 REQ'D



1. PARTS PACKAGED UNASSEMBLED.

5745121-2  
 PART NO.

THIS DRAWING IS A CONTROLLED DOCUMENT.		DWN R. RICHARDSON 14SEP05	14SEP05	 Tyco Electronics Corporation Harrisburg, PA 17105-3608
DIMENSIONS: INCHES		CHK C. ROHDE 14SEP05	14SEP05	
TOLERANCES UNLESS OTHERWISE SPECIFIED:		APVD M. WALMSLEY 14SEP05	14SEP05	NAME STRAN RELIEF ASSEMBLY, SIZE 3, 25 POSITIONS, AMPLIMITE
0 PLC ± -	1 PLC ± -	PRODUCT SPEC		
2 PLC ± -	3 PLC ± .005	APPLICATION SPEC		
4 PLC ± -	ANGLES ± ±	SIZE	A1	RESTRICTED TO
MATERIAL SEE CALLOUTS	FINISH SEE CALLOUTS	WEIGHT	00779	
CUSTOMER DRAWING		SCALE	4:1	SHEET 1 OF 1