



Chipsmall Limited consists of a professional team with an average of over 10 year of expertise in the distribution of electronic components. Based in Hongkong, we have already established firm and mutual-benefit business relationships with customers from,Europe,America and south Asia,supplying obsolete and hard-to-find components to meet their specific needs.

With the principle of “Quality Parts,Customers Priority,Honest Operation,and Considerate Service”,our business mainly focus on the distribution of electronic components. Line cards we deal with include Microchip,ALPS,ROHM,Xilinx,Pulse,ON,Everlight and Freescale. Main products comprise IC,Modules,Potentiometer,IC Socket,Relay,Connector.Our parts cover such applications as commercial,industrial, and automotives areas.

We are looking forward to setting up business relationship with you and hope to provide you with the best service and solution. Let us make a better world for our industry!



Contact us

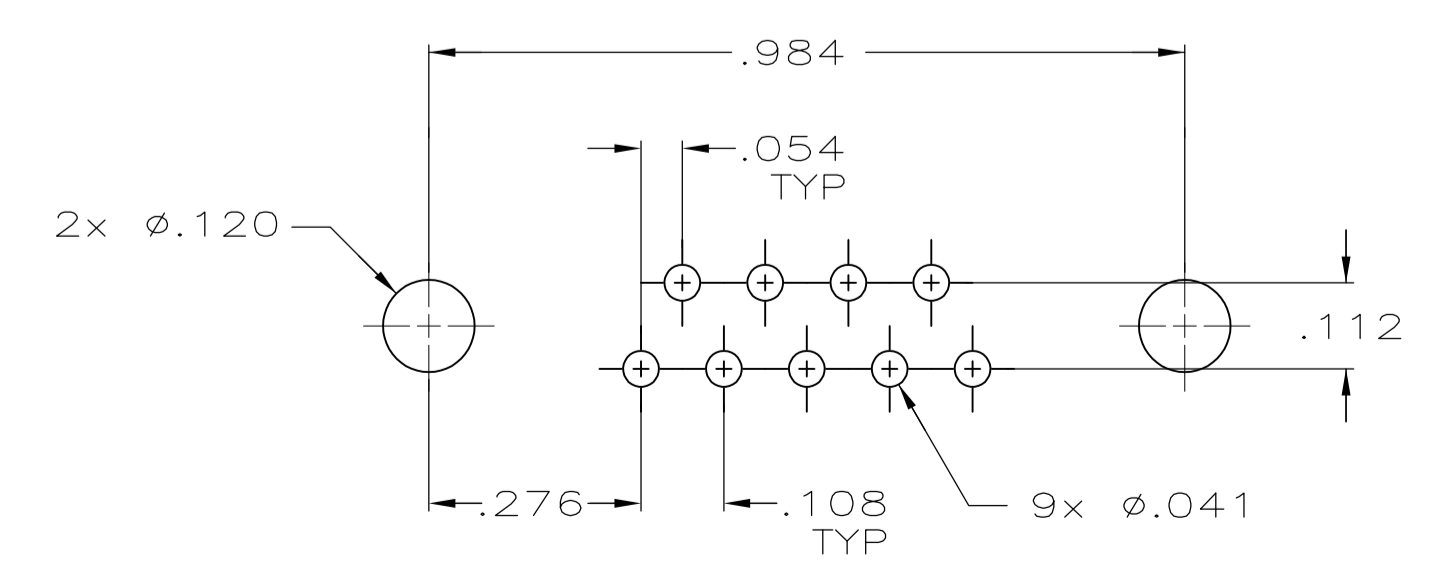
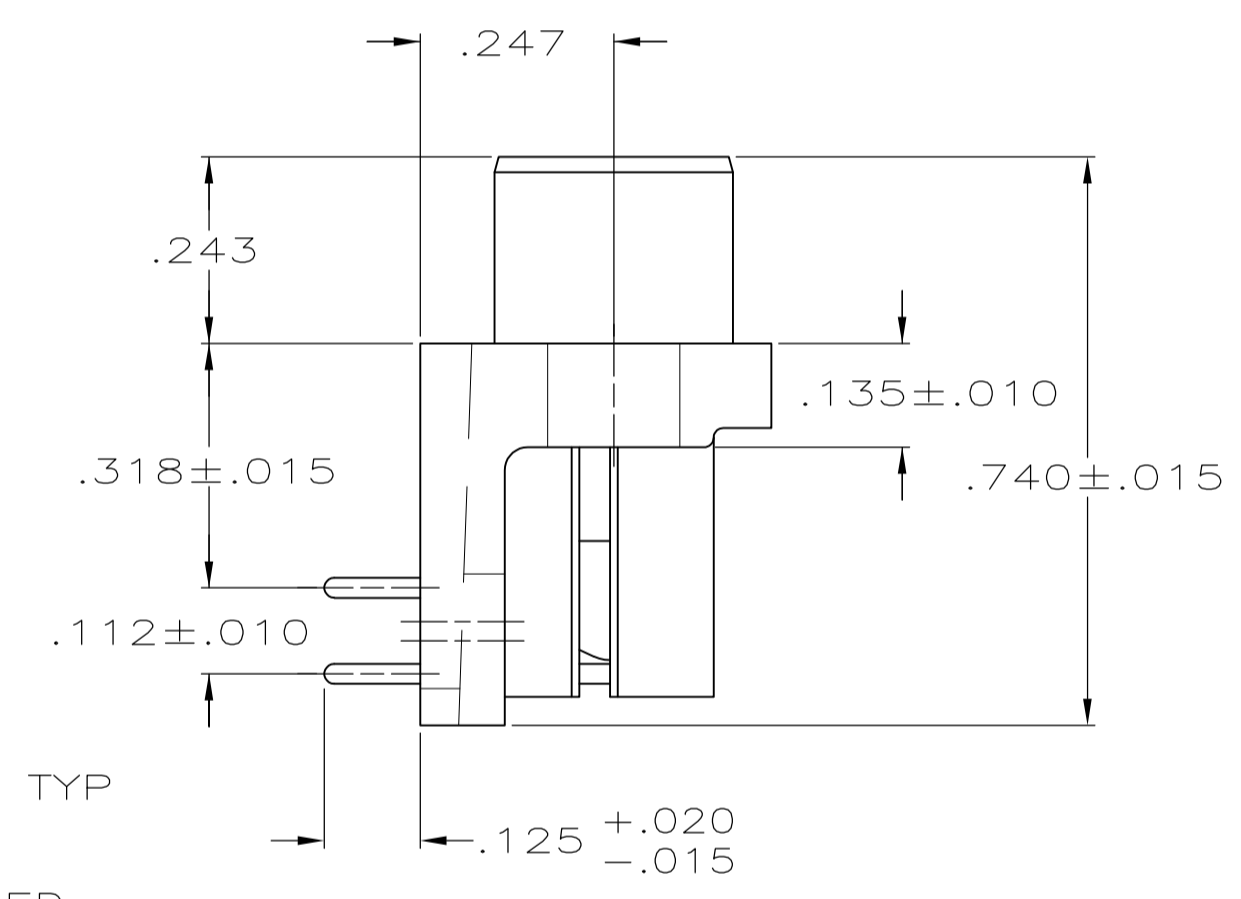
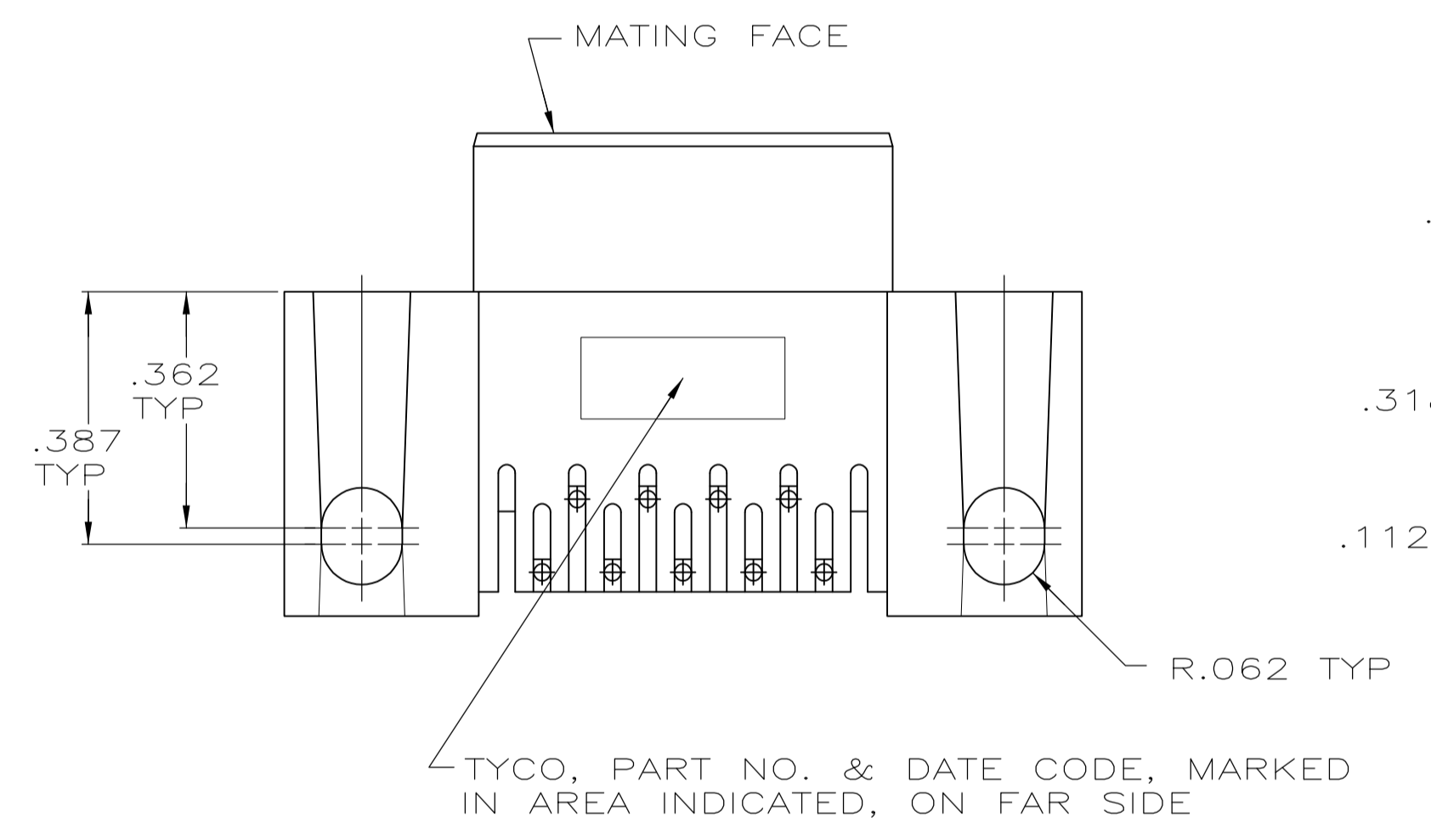
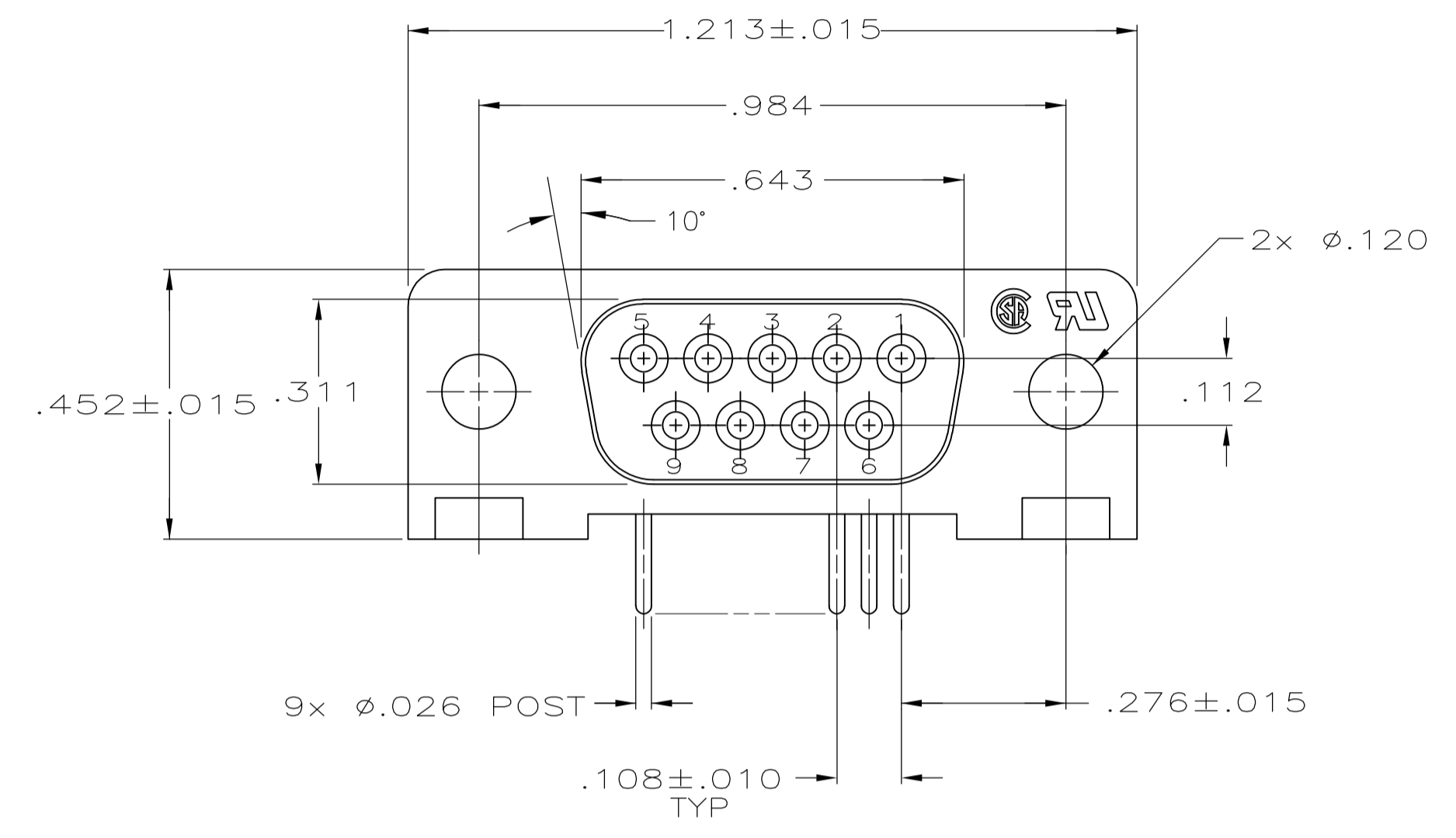
Tel: +86-755-8981 8866 Fax: +86-755-8427 6832

Email & Skype: info@chipsmall.com Web: www.chipsmall.com

Address: A1208, Overseas Decoration Building, #122 Zhenhua RD., Futian, Shenzhen, China



LOC		DIST		REVISIONS			
P	LTR	DESCRIPTION	DATE	DN	APVD		
P		REVISED PER ECO-11-004835	11MAR11	RK	HMR		



P.C. BOARD MOUNTING DIMENSIONS

- HOUSING: FLAME RETARDANT, 94V-0 RATED, GLASS FILLED NYLON OR POLYESTER, COLOR: BLACK.
CONTACTS: PHOS. BRONZE.
- REFER TO APPLICATION SPEC FOR RECOMMENDED P.C. BOARD MOUNTING DIMENSIONS FOR AUTOMATIC INSERTION.
- CONTACTS: PLATED WITH GOLD FLASH FOR LENGTH OF .055 MIN FROM MATING END, .000100 MIN TIN ON SOLDER END, ALL OVER .000050 MIN NICKEL ON ENTIRE CONTACT.

**COPYRIGHT 2005
 TE CONNECTIVITY CORP
 ALL RIGHTS RESERVED**

5745131-1
 PART NUMBER

THIS DRAWING IS A CONTROLLED DOCUMENT.		DIN G. PETERS 14SEP05	TE Connectivity	
DIMENSIONS: INCHES		CHK S. BOLASH 14SEP05		
TOLERANCES UNLESS OTHERWISE SPECIFIED:		APP'D M. WALMSLEY 14SEP05	NAME	
0. PLC ± -		PRODUCT SPEC		
1. PLC ± -		108-40025		
2. PLC ± -		APPLICATION SPEC		
3. PLC ± .005		114-40015		
4. PLC ± -		SIZE		
ANGLES ± °		CAGE CODE DRAWING NO		
MATERIAL		WEIGHT		
FINISH		A1 00779 C=5745131		
RESTRICTED TO		CUSTOMER DRAWING		
SCALE		4:1		
SHEET		1 of 1		
REV		P		