



Chipsmall Limited consists of a professional team with an average of over 10 year of expertise in the distribution of electronic components. Based in Hongkong, we have already established firm and mutual-benefit business relationships with customers from,Europe,America and south Asia,supplying obsolete and hard-to-find components to meet their specific needs.

With the principle of “Quality Parts,Customers Priority,Honest Operation,and Considerate Service”,our business mainly focus on the distribution of electronic components. Line cards we deal with include Microchip,ALPS,ROHM,Xilinx,Pulse,ON,Everlight and Freescale. Main products comprise IC,Modules,Potentiometer,IC Socket,Relay,Connector.Our parts cover such applications as commercial,industrial, and automotives areas.

We are looking forward to setting up business relationship with you and hope to provide you with the best service and solution. Let us make a better world for our industry!



## Contact us

Tel: +86-755-8981 8866 Fax: +86-755-8427 6832

Email & Skype: info@chipsmall.com Web: www.chipsmall.com

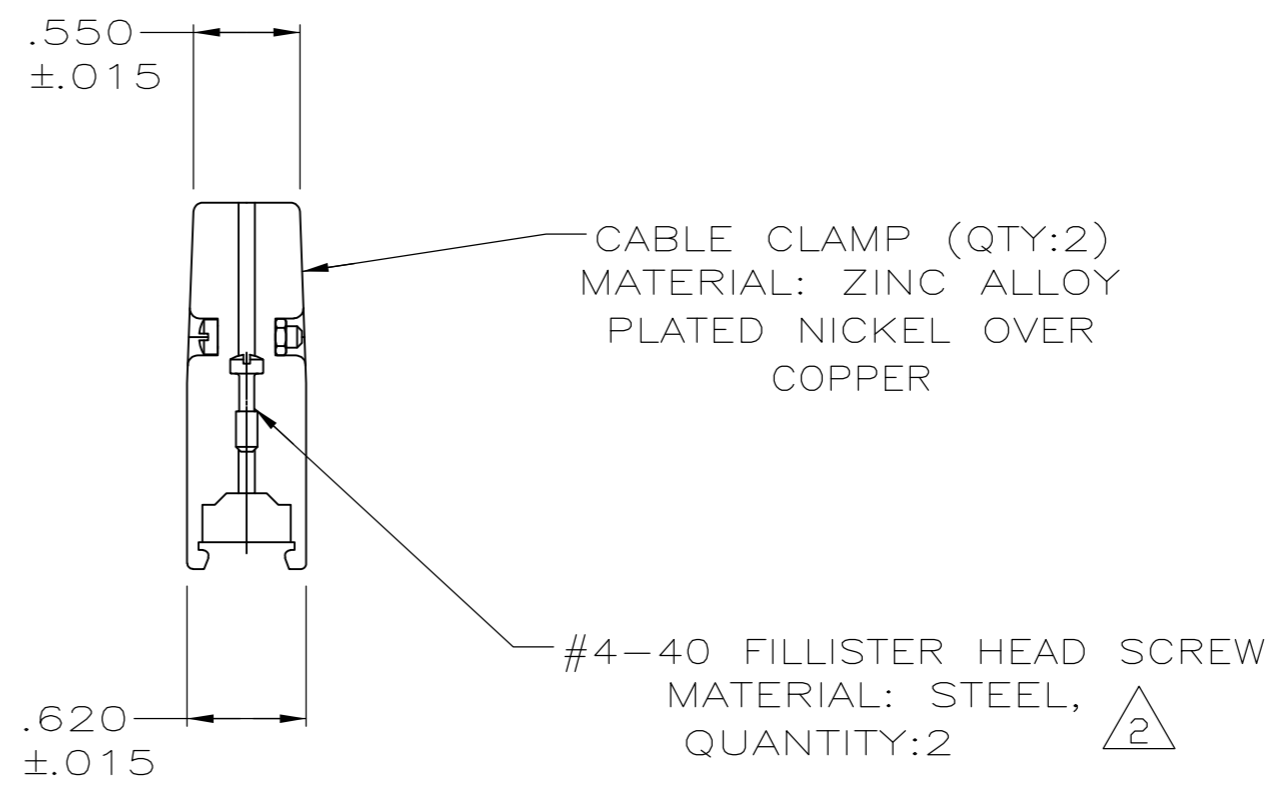
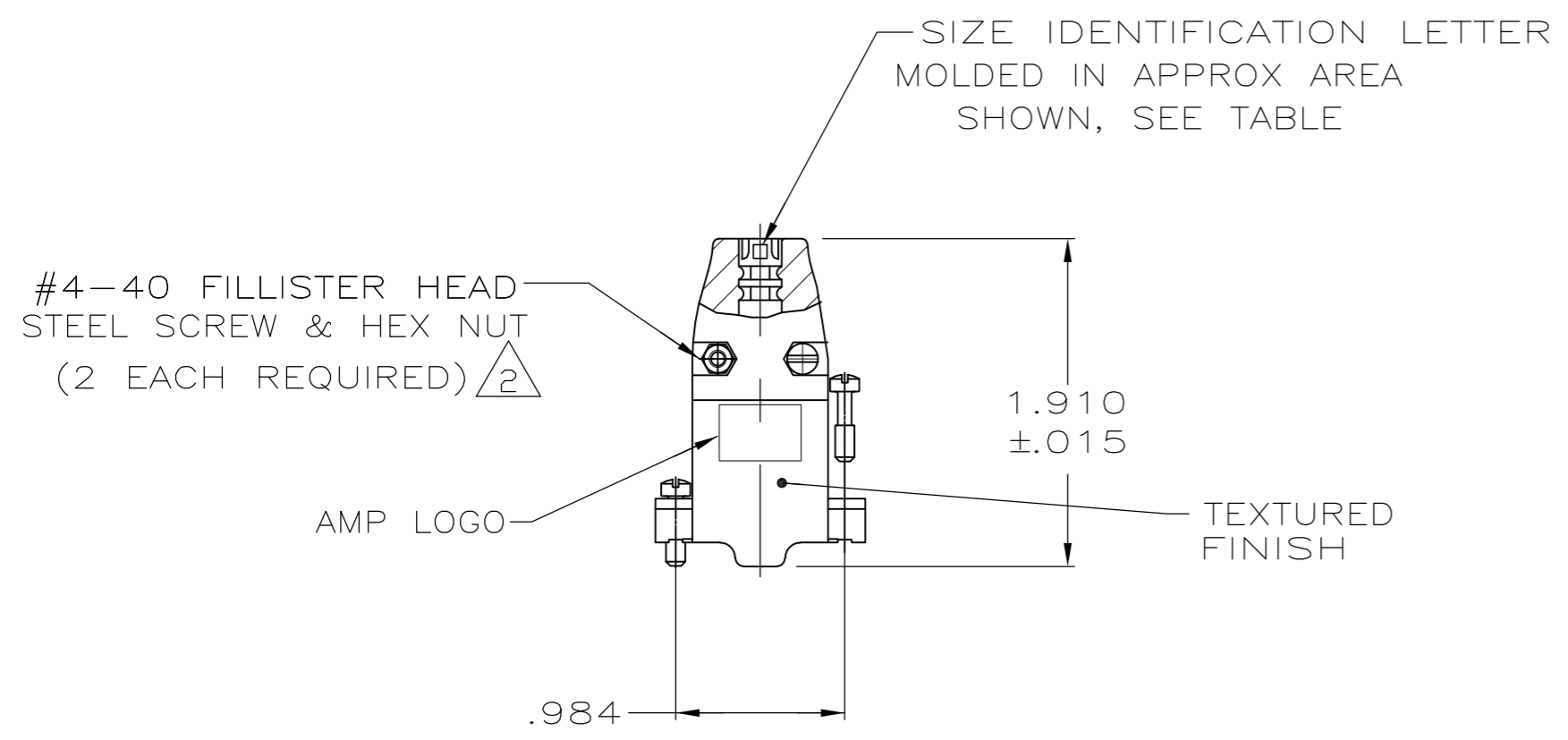
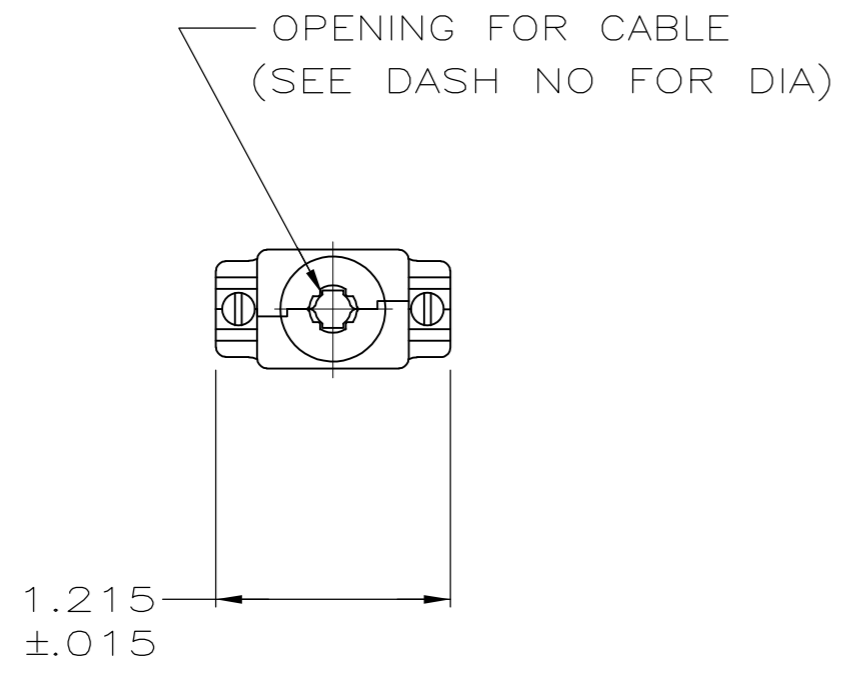
Address: A1208, Overseas Decoration Building, #122 Zhenhua RD., Futian, Shenzhen, China



THIS DRAWING IS UNPUBLISHED. RELEASED FOR PUBLICATION  
 © COPYRIGHT - By - ALL RIGHTS RESERVED.

LOC		DIST		REVISIONS			
P	LTR	DESCRIPTION		DATE	DWN	APVD	
GP	00	P		REVISED PER ECO-11-005033	23MAR11	RK	HMR

- 1. PARTS PACKAGED UNASSEMBLED.
- △2 ZINC PLATED .000200-.000400 THICK, CLEAR CHROMATE COATING.



H	.370	5745171-5
A	.200	5745171-2
C	.250	5745171-1
NECK IDENT	CABLE DIA	PART NO

**COPYRIGHT 2005  
 TE CONNECTIVITY  
 ALL RIGHTS RESERVED**

THIS DRAWING IS A CONTROLLED DOCUMENT.		DWN B. MCMASTER 28JULY05	<b>TE</b> TE Connectivity																			
DIMENSIONS: INCHES		CHK C. ROHDE 28JULY05																				
TOLERANCES UNLESS OTHERWISE SPECIFIED:		APVD M. WALMSLEY 28JULY05	NAME CABLE CLAMP KIT, UNASSEMBLED, SIZE 1, 9 POSN, 180 DEGREES, AMPLIMITE																			
<table border="1"> <tr><td>0 PLC</td><td>±</td><td>-</td></tr> <tr><td>1 PLC</td><td>±</td><td>-</td></tr> <tr><td>2 PLC</td><td>±</td><td>-</td></tr> <tr><td>3 PLC</td><td>±</td><td>.005</td></tr> <tr><td>4 PLC</td><td>±</td><td>-</td></tr> <tr><td>ANGLES</td><td>±</td><td>-</td></tr> </table>		0 PLC	±	-	1 PLC	±	-	2 PLC	±	-	3 PLC	±	.005	4 PLC	±	-	ANGLES	±	-	PRODUCT SPEC -	RESTRICTED TO -	
0 PLC	±	-																				
1 PLC	±	-																				
2 PLC	±	-																				
3 PLC	±	.005																				
4 PLC	±	-																				
ANGLES	±	-																				
MATERIAL SEE CALLOUTS		FINISH SEE CALLOUTS	APPLICATION SPEC -	WEIGHT -																		
SCALE 1:1		CUSTOMER DRAWING	SIZE A2	CAGE CODE 00779																		
SHEET 1 of 1		DRAWING NO 5745171	REV P																			