



Chipsmall Limited consists of a professional team with an average of over 10 year of expertise in the distribution of electronic components. Based in Hongkong, we have already established firm and mutual-benefit business relationships with customers from,Europe,America and south Asia,supplying obsolete and hard-to-find components to meet their specific needs.

With the principle of “Quality Parts,Customers Priority,Honest Operation,and Considerate Service”,our business mainly focus on the distribution of electronic components. Line cards we deal with include Microchip,ALPS,ROHM,Xilinx,Pulse,ON,Everlight and Freescale. Main products comprise IC,Modules,Potentiometer,IC Socket,Relay,Connector.Our parts cover such applications as commercial,industrial, and automotives areas.

We are looking forward to setting up business relationship with you and hope to provide you with the best service and solution. Let us make a better world for our industry!



## Contact us

Tel: +86-755-8981 8866 Fax: +86-755-8427 6832

Email & Skype: info@chipsmall.com Web: www.chipsmall.com

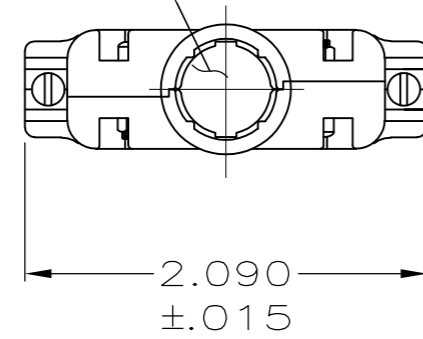
Address: A1208, Overseas Decoration Building, #122 Zhenhua RD., Futian, Shenzhen, China



THIS DRAWING IS UNPUBLISHED. RELEASED FOR PUBLICATION  
 © COPYRIGHT - By - ALL RIGHTS RESERVED.

LOC	DIST	REVISIONS					
GP	00	P	LTR	DESCRIPTION	DATE	DWN	APVD
		P		REVISED PER ECO-11-004835	11MAR11	RK	HMR

OPENING FOR CABLE  
 (SEE DASH NO. FOR DIA.)



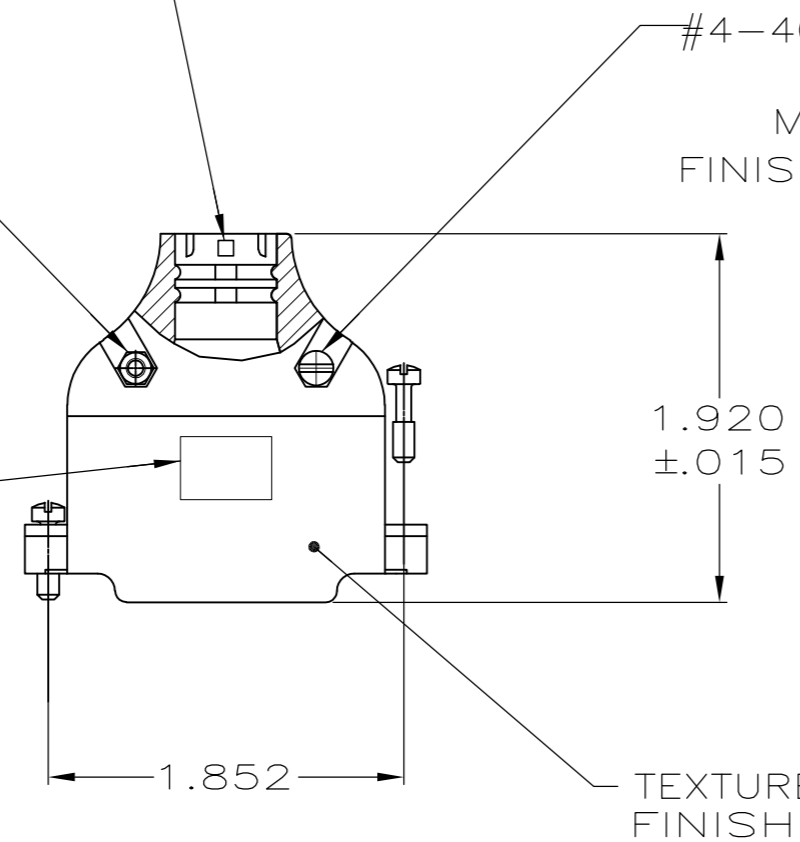
- PARTS PACKAGED UNASSEMBLED, AS A UNIT KIT.
- ZINC PLATED .000200-.000400 THICK, CLEAR CHROMATE COATING.

SIZE IDENTIFICATION LETTER  
 MOLDED IN APPROXIMATE AREA  
 SHOWN, SEE TABLE

#4-40 HEX NUT  
 (QTY. 2)  
 MATL: CARBON STEEL  
 FINISH:  $\triangle 2$

#4-40 FIL HD SCREW  
 (QTY. 2)  
 MATL: STEEL  
 FINISH:  $\triangle 2$

AMP LOGO



TEXTURED FINISH

CABLE CLAMP HALF  
 (QTY. 2)  
 MATL: ZINC ALLOY  
 FINISH: NICKEL OVER COPPER



#4-40 MOUNTING SCREW  
 (QTY. 2)  
 MATL: CARBON STEEL  
 FINISH:  $\triangle 2$

D	.280	5745173-5
G	.350	5745173-4
K	.430	5745173-3
M	.480	5745173-2
P	.530	5745173-1
NECK SIZE IDENT	MAX CABLE DIA	PART NUMBER

THIS DRAWING IS A CONTROLLED DOCUMENT.		DWN	B. MCMASTER	12AUG05																		
DIMENSIONS: INCHES		CHK	C. ROHDE	12AUG05																		
TOLERANCES UNLESS OTHERWISE SPECIFIED:		APVD	M. WALMSLEY	12AUG05																		
<table border="1"> <tr><td>0 PLC</td><td>±</td><td>-</td></tr> <tr><td>1 PLC</td><td>±</td><td>-</td></tr> <tr><td>2 PLC</td><td>±</td><td>-</td></tr> <tr><td>3 PLC</td><td>±</td><td>.005</td></tr> <tr><td>4 PLC</td><td>±</td><td>-</td></tr> <tr><td>ANGLES</td><td>±</td><td>-</td></tr> </table>		0 PLC	±	-		1 PLC	±	-	2 PLC	±	-	3 PLC	±	.005	4 PLC	±	-	ANGLES	±	-	PRODUCT SPEC	NAME
0 PLC	±	-																				
1 PLC	±	-																				
2 PLC	±	-																				
3 PLC	±	.005																				
4 PLC	±	-																				
ANGLES	±	-																				
MATERIAL SEE CALLOUTS		FINISH SEE CALLOUTS		WEIGHT	-	SIZE	A2	CAGE CODE	00779	DRAWING NO	C=5745173	RESTRICTED TO	-									
CUSTOMER DRAWING		SCALE		1:1	SHEET	1 of 1	REV	P														