



Chipsmall Limited consists of a professional team with an average of over 10 year of expertise in the distribution of electronic components. Based in Hongkong, we have already established firm and mutual-benefit business relationships with customers from,Europe,America and south Asia,supplying obsolete and hard-to-find components to meet their specific needs.

With the principle of "Quality Parts,Customers Priority,Honest Operation,and Considerate Service",our business mainly focus on the distribution of electronic components. Line cards we deal with include Microchip,ALPS,ROHM,Xilinx,Pulse,ON,Everlight and Freescale. Main products comprise IC,Modules,Potentiometer,IC Socket,Relay,Connector.Our parts cover such applications as commercial,industrial, and automotives areas.

We are looking forward to setting up business relationship with you and hope to provide you with the best service and solution. Let us make a better world for our industry!



## Contact us

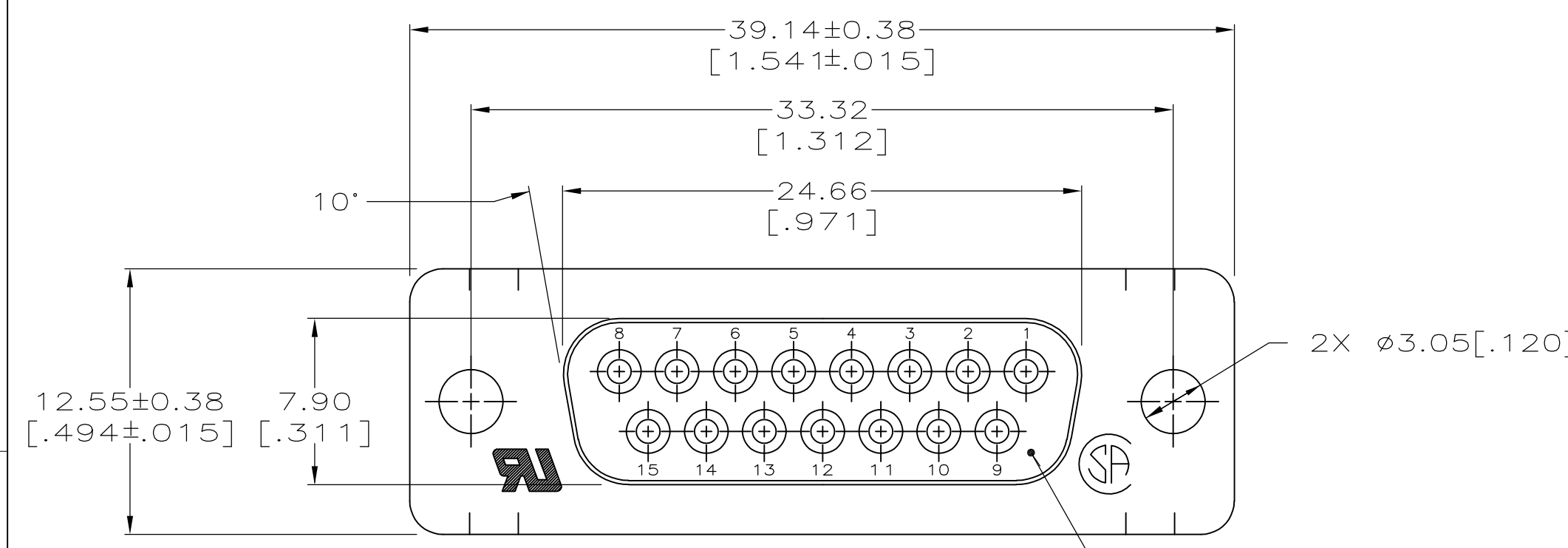
Tel: +86-755-8981 8866 Fax: +86-755-8427 6832

Email & Skype: info@chipsmall.com Web: www.chipsmall.com

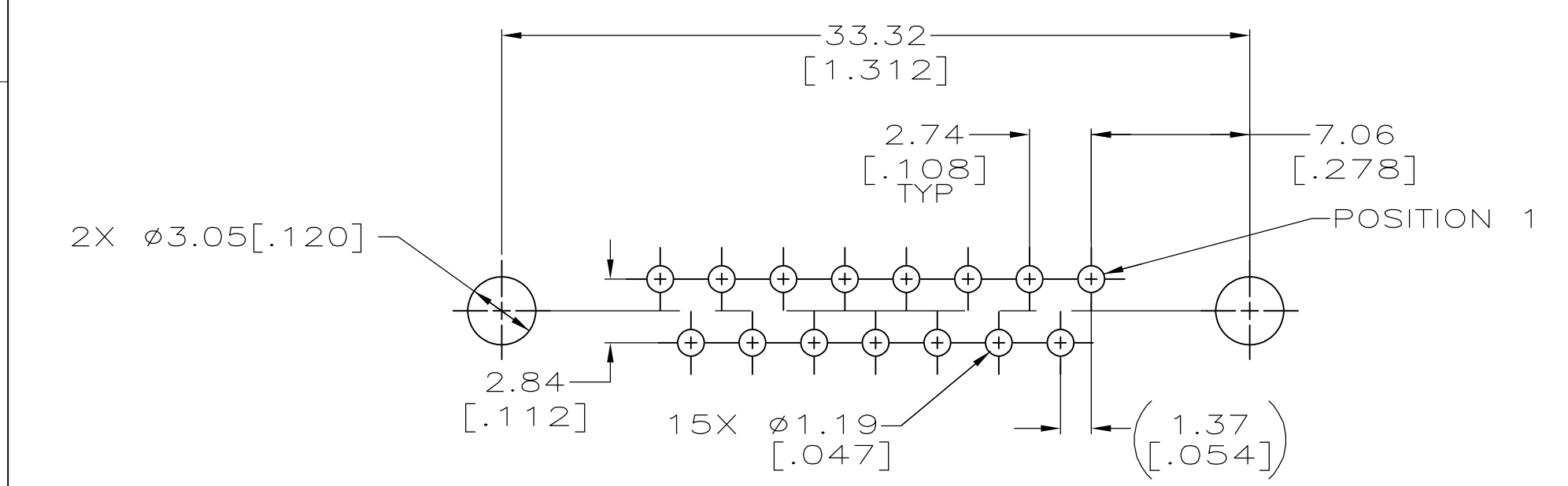
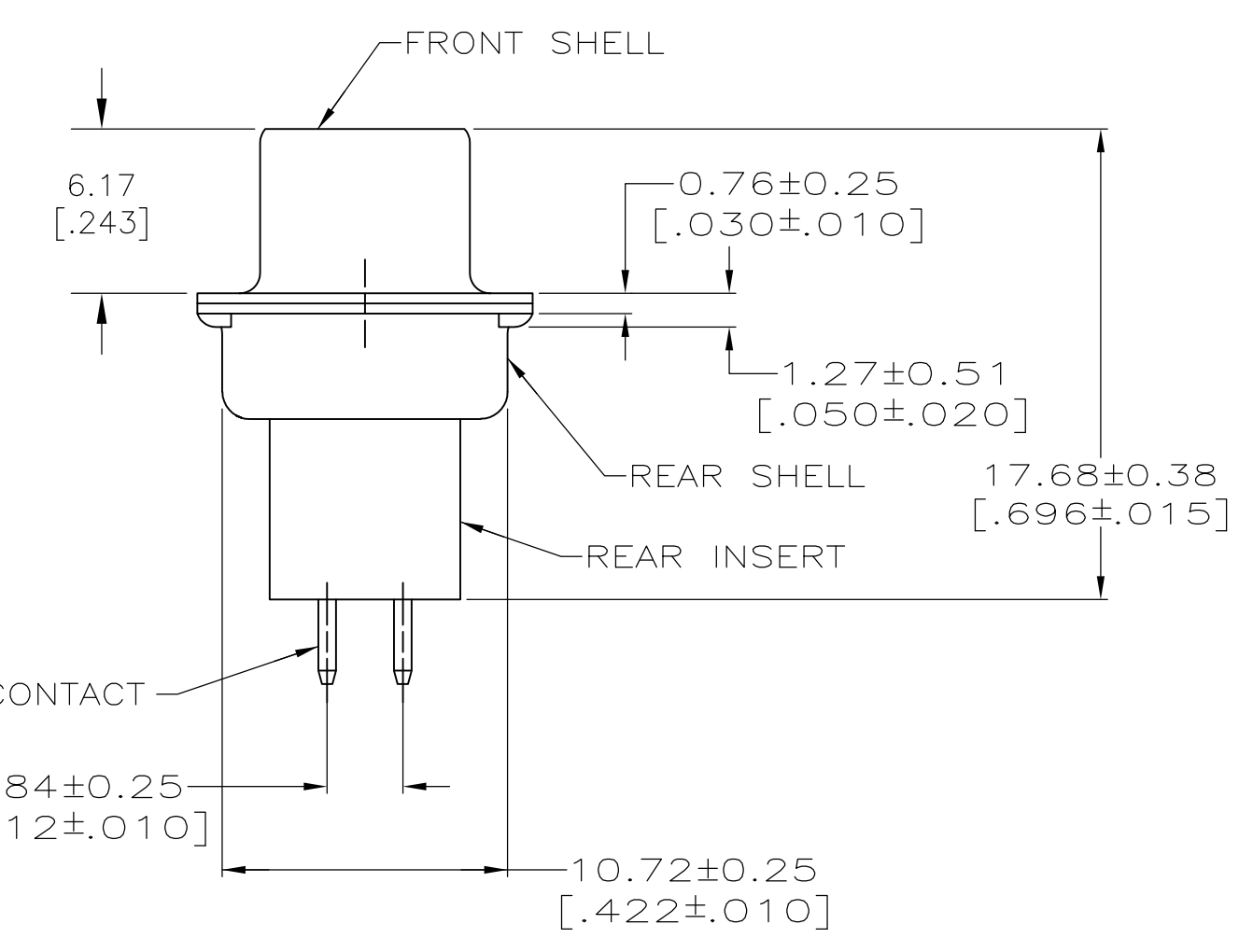
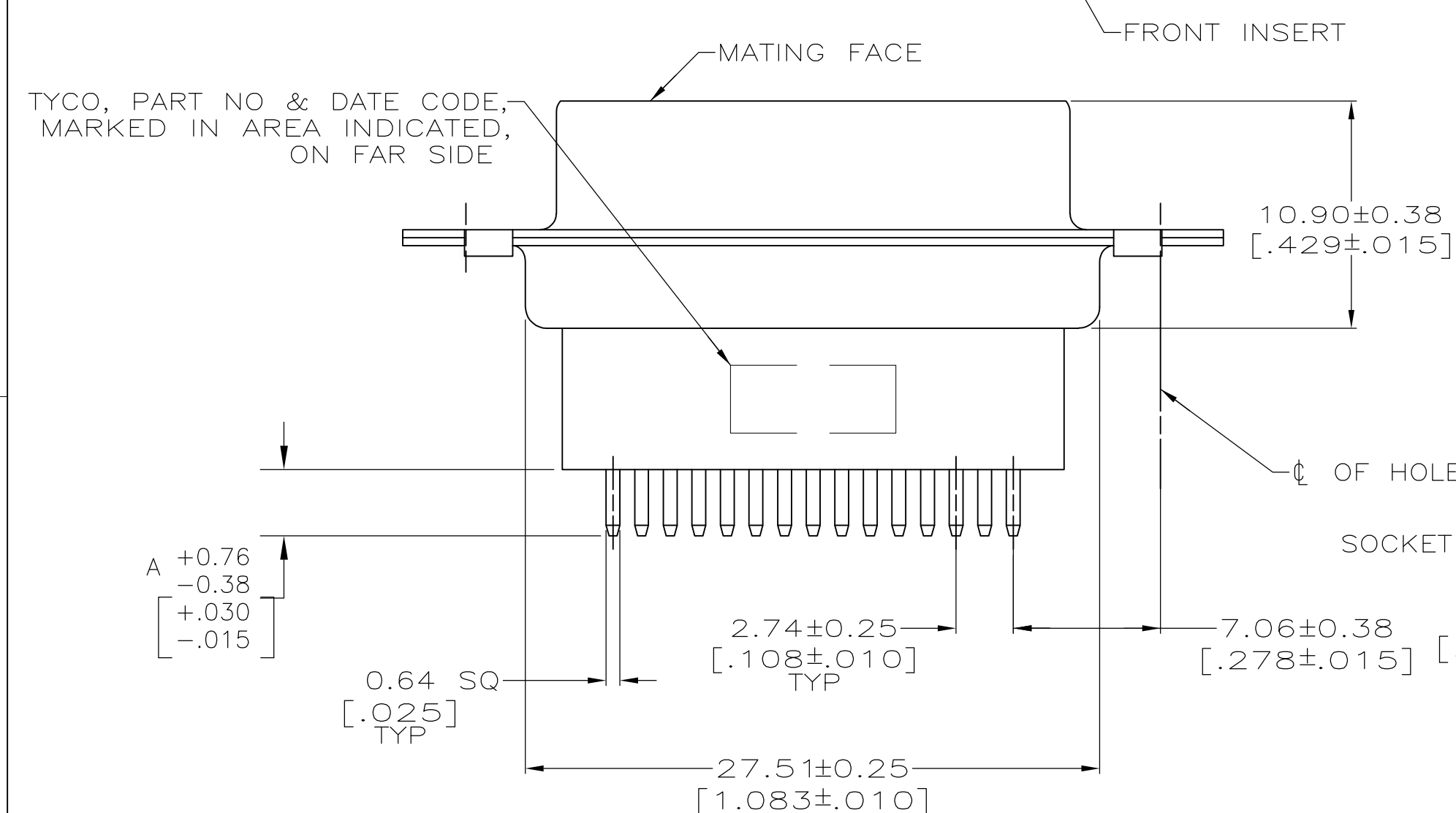
Address: A1208, Overseas Decoration Building, #122 Zhenhua RD., Futian, Shenzhen, China



| LOC | DIST | REVISIONS |     |                           |           |     |      |
|-----|------|-----------|-----|---------------------------|-----------|-----|------|
| GP  | 00   | P         | LTR | DESCRIPTION               | DATE      | OWN | APVD |
|     |      | D         |     | REVISED PER ECO-14-011808 | 11AUG2014 | AP  | SB   |



- 1 MOLDED PARTS: GLASS-FILLED PBT OR GLASS-FILLED NYLON, UL94V-0 RATED. COLOR: BLACK.  
SHELLS: CARBON STEEL  
CONTACTS: PHOS BRONZE
- 2 SHELLS: 5.08µm [.000200] MIN TIN OVER 2.54µm [.000100] MIN COPPER.  
CONTACTS: 0.76µm [.000030] MIN GOLD ON MATING END, 2.54µm [.000100] MIN TIN ON SOLDER END, BOTH OVER 1.27µm [.000050] MIN NICKEL  
-OR-  
GOLD FLASH OVER PALLADIUM-NICKEL 0.76µm [.000030] MIN TOTAL ON MATING END, 2.54µm [.000100] MIN TIN ON SOLDER END, BOTH OVER 1.27µm [.000050] MIN NICKEL.



|                |             |
|----------------|-------------|
| 4.78<br>[.188] | 5745185-7   |
| 3.18<br>[.125] | 5745185-1   |
| A              | PART NUMBER |

|  |  |                                 |   |                       |
|--|--|---------------------------------|---|-----------------------|
| THIS DRAWING IS A CONTROLLED DOCUMENT. |  | DWN<br>B. LATTUCA<br>07SEPT05   | TE Connectivity   |                       |
| DIMENSIONS:<br>mm[INCHES]              |  | CHK<br>S. BOLASH<br>07SEPT05    |   |                       |
| TOLERANCES UNLESS OTHERWISE SPECIFIED: |  | APVD<br>M. WALMSLEY<br>07SEPT05 | NAME<br>RECEPTACLE ASSY, SIZE 2<br>15 POS, VERTICAL,<br>AMPLIMITE HDP |                       |
| 0 PLC ± -                              |  | PRODUCT SPEC<br>108-40025       | SIZE<br>A2  |                       |
| 1 PLC ± -                              |  | APPLICATION SPEC<br>114-40013   | CAGE CODE<br>00779  | DRAWING NO<br>5745185 |
| 2 PLC ± 0.13 [.005]                    |  | WEIGHT<br>-                     | RESTRICTED TO<br>-  |                       |
| 3 PLC ± -                              |  | CUSTOMER DRAWING                |   |                       |
| 4 PLC ± - ± 2'                         |  | SCALE NTS SHEET 1 OF 1 REV D    |   |                       |
| ANGLES ± - ± 2'                        |  |                                 |   |                       |
| FINISH                                 |  |                                 |   |                       |