



Chipsmall Limited consists of a professional team with an average of over 10 year of expertise in the distribution of electronic components. Based in Hongkong, we have already established firm and mutual-benefit business relationships with customers from,Europe,America and south Asia,supplying obsolete and hard-to-find components to meet their specific needs.

With the principle of “Quality Parts,Customers Priority,Honest Operation,and Considerate Service”,our business mainly focus on the distribution of electronic components. Line cards we deal with include Microchip,ALPS,ROHM,Xilinx,Pulse,ON,Everlight and Freescale. Main products comprise IC,Modules,Potentiometer,IC Socket,Relay,Connector.Our parts cover such applications as commercial,industrial, and automotives areas.

We are looking forward to setting up business relationship with you and hope to provide you with the best service and solution. Let us make a better world for our industry!



## Contact us

Tel: +86-755-8981 8866 Fax: +86-755-8427 6832

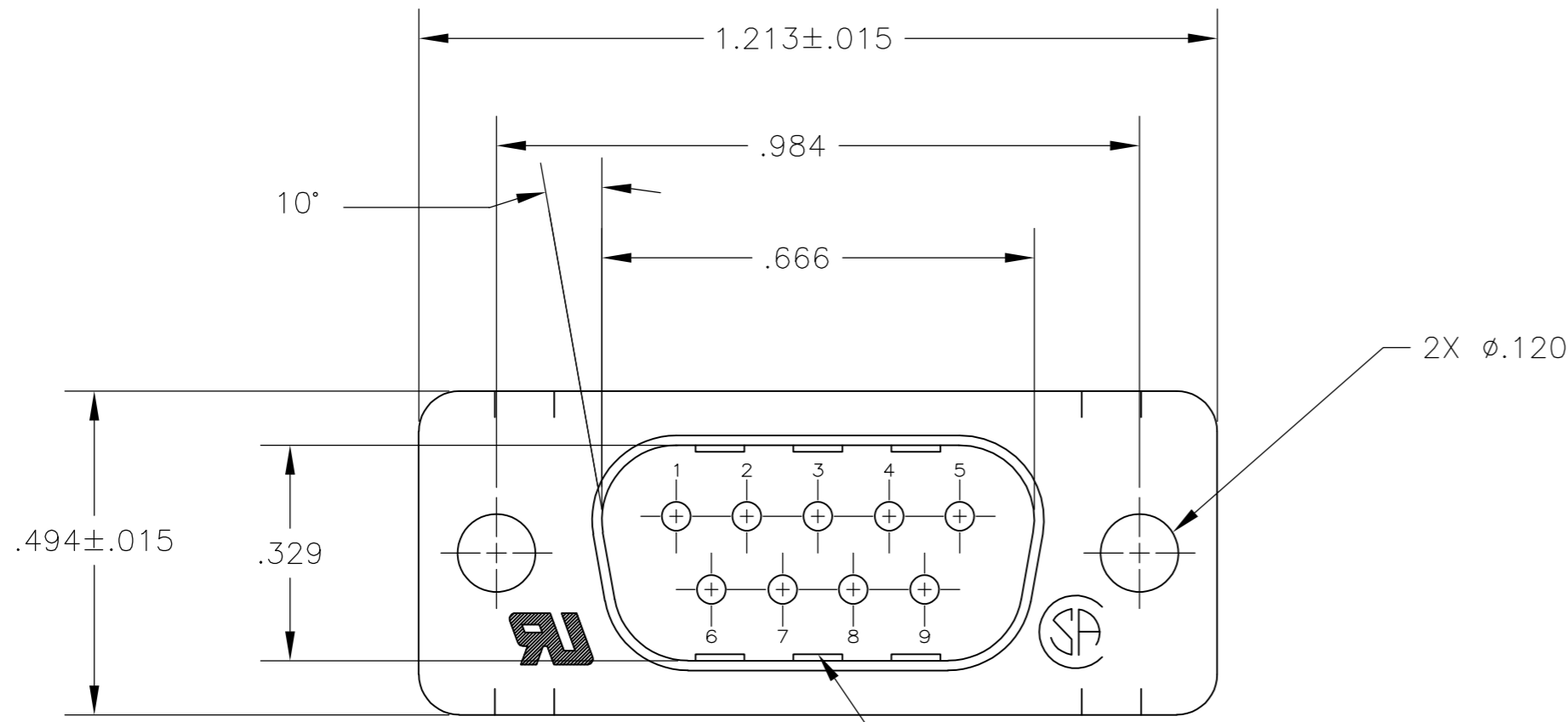
Email & Skype: info@chipsmall.com Web: www.chipsmall.com

Address: A1208, Overseas Decoration Building, #122 Zhenhua RD., Futian, Shenzhen, China



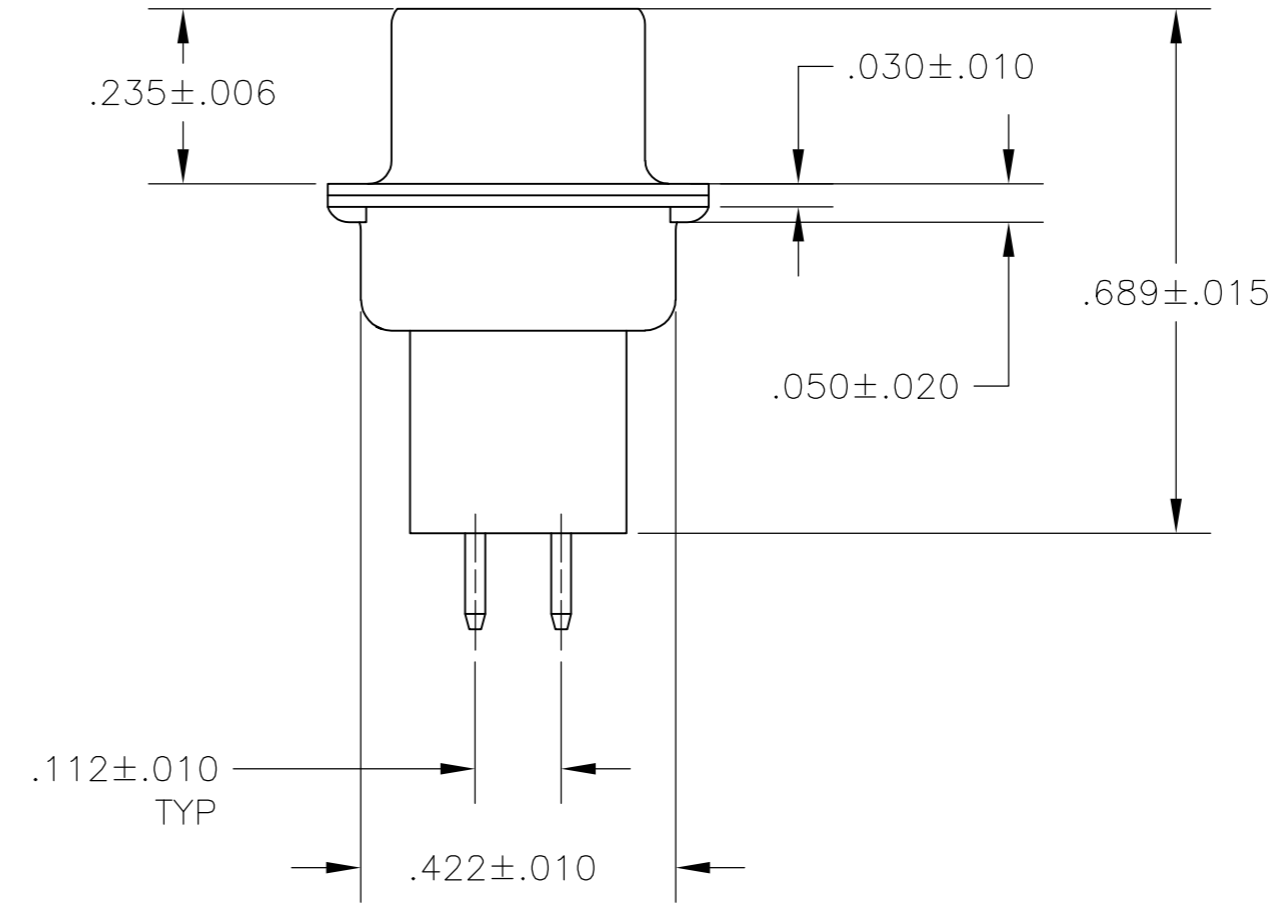
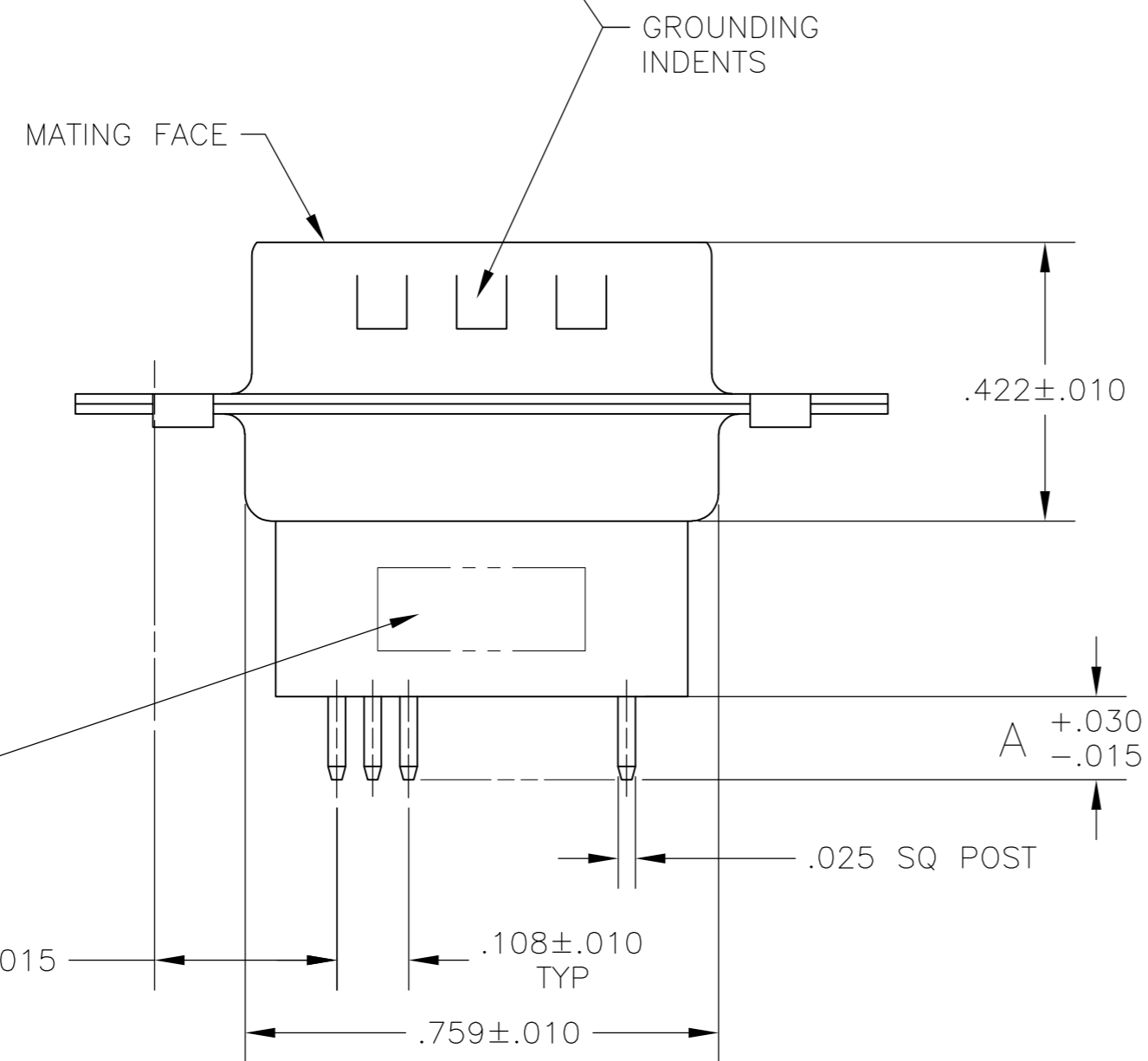
THIS DRAWING IS UNPUBLISHED. RELEASED FOR PUBLICATION  
 © COPYRIGHT 2005 By - ALL RIGHTS RESERVED.

LOC		DIST		REVISIONS			
P	LTR	DESCRIPTION		DATE	DWN	APVD	
GP	00	D		REVISED PER ECO-14-011808	11AUG2014	AP	SB

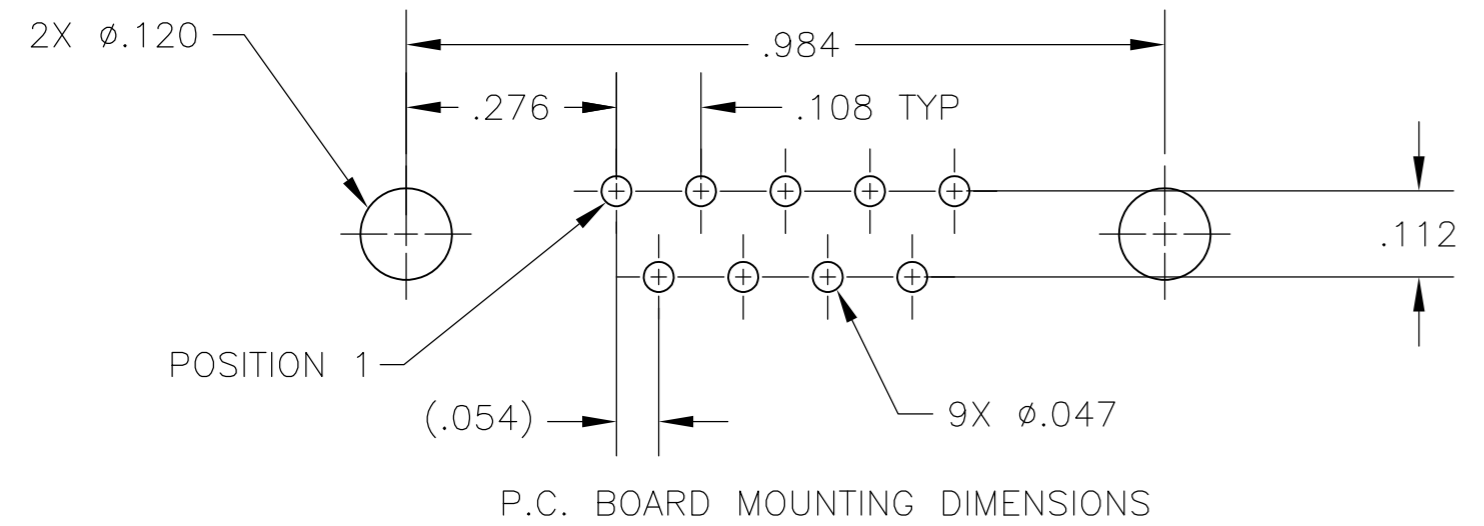


1 MOLDED PARTS: GLASS-FILLED PBT OR GLASS-FILLED NYLON, UL94V-0 RATED. COLOR: BLACK.  
 SHELLS: CARBON STEEL  
 CONTACTS: BRASS

2 SHELLS: .000200 MIN TIN OVER .000100 MIN COPPER.  
 CONTACTS: GOLD PLATING FOR A LENGTH OF .150 MIN FROM MATING END, .000030 MIN GOLD IN MATED AREA, .000100 MIN TIN ON SOLDER END, BOTH OVER .000050 MIN NICKEL.  
 -OR-  
 GOLD FLASH OVER PALLADIUM-NICKEL PLATED FOR A LENGTH OF .150 MIN FROM MATING END, .000030 MIN TOTAL IN MATED AREA, .000100 MIN TIN ON SOLDER END, BOTH OVER .000050 MIN NICKEL.



TYCO, PART NO & DATE CODE, MARKED IN AREA INDICATED, ON FAR SIDE



.188	5745410-7
.125	5745410-1
A	PART NO

THIS DRAWING IS A CONTROLLED DOCUMENT.		DWN	15SEPT05		TE Connectivity
DIMENSIONS: INCHES		CHK	15SEPT05		
TOLERANCES UNLESS OTHERWISE SPECIFIED:		APVD	15SEPT05		
0 PLC ± - 1 PLC ± - 2 PLC ± - 3 PLC ± .005 4 PLC ± - ANGLES ± - FINISH ± -		NAME	M. WALMSLEY		
MATERIAL 1 FINISH 2		PRODUCT SPEC 108-40025 APPLICATION SPEC 114-40013		PLUG ASSEMBLY, SIZE 1, 9 POSN, VERTICAL, .025 SQ. POSTS, GROUNDING INDENTS, AMPLIMITE HDP	
SCALE NTS		WEIGHT	-	SIZE	A2
CUSTOMER DRAWING		CAGE CODE	00779	DRAWING NO	C=5745410
SHEET 1 of 1		REV D		RESTRICTED TO -	