



Chipsmall Limited consists of a professional team with an average of over 10 year of expertise in the distribution of electronic components. Based in Hongkong, we have already established firm and mutual-benefit business relationships with customers from,Europe,America and south Asia,supplying obsolete and hard-to-find components to meet their specific needs.

With the principle of “Quality Parts,Customers Priority,Honest Operation,and Considerate Service”,our business mainly focus on the distribution of electronic components. Line cards we deal with include Microchip,ALPS,ROHM,Xilinx,Pulse,ON,Everlight and Freescale. Main products comprise IC,Modules,Potentiometer,IC Socket,Relay,Connector.Our parts cover such applications as commercial,industrial, and automotives areas.

We are looking forward to setting up business relationship with you and hope to provide you with the best service and solution. Let us make a better world for our industry!



## Contact us

Tel: +86-755-8981 8866 Fax: +86-755-8427 6832

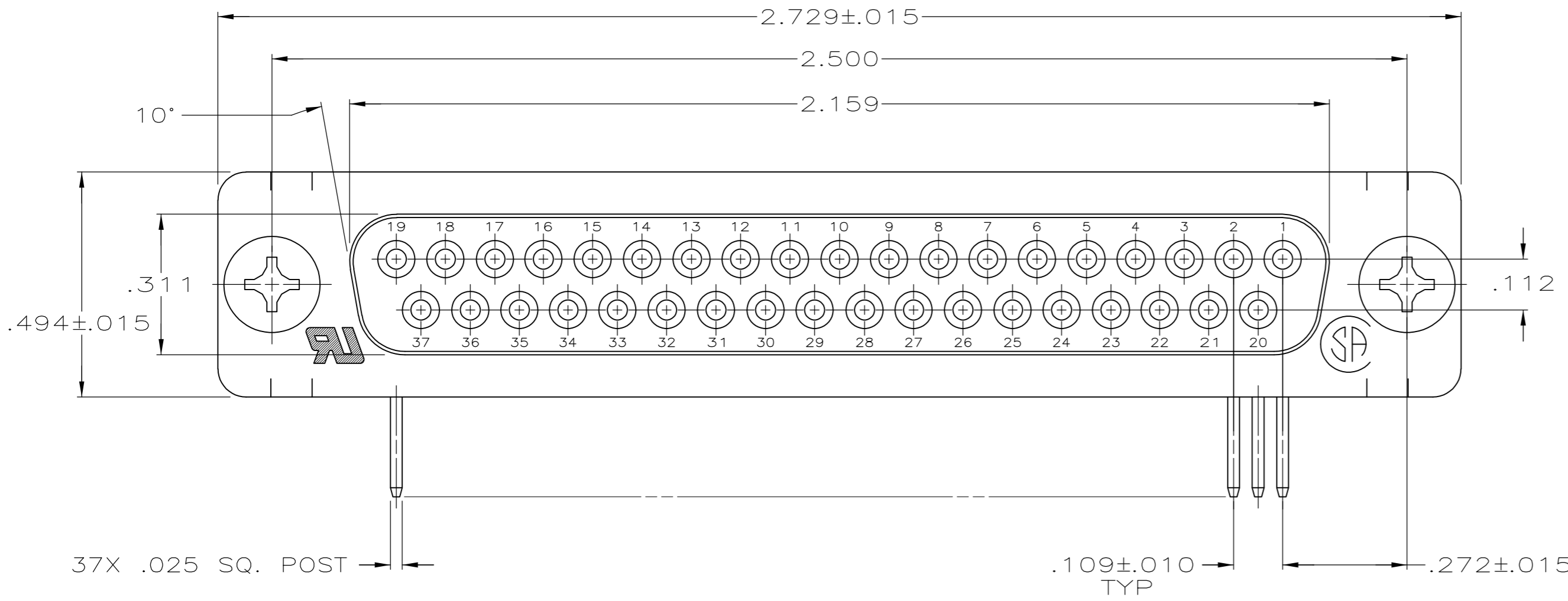
Email & Skype: info@chipsmall.com Web: www.chipsmall.com

Address: A1208, Overseas Decoration Building, #122 Zhenhua RD., Futian, Shenzhen, China

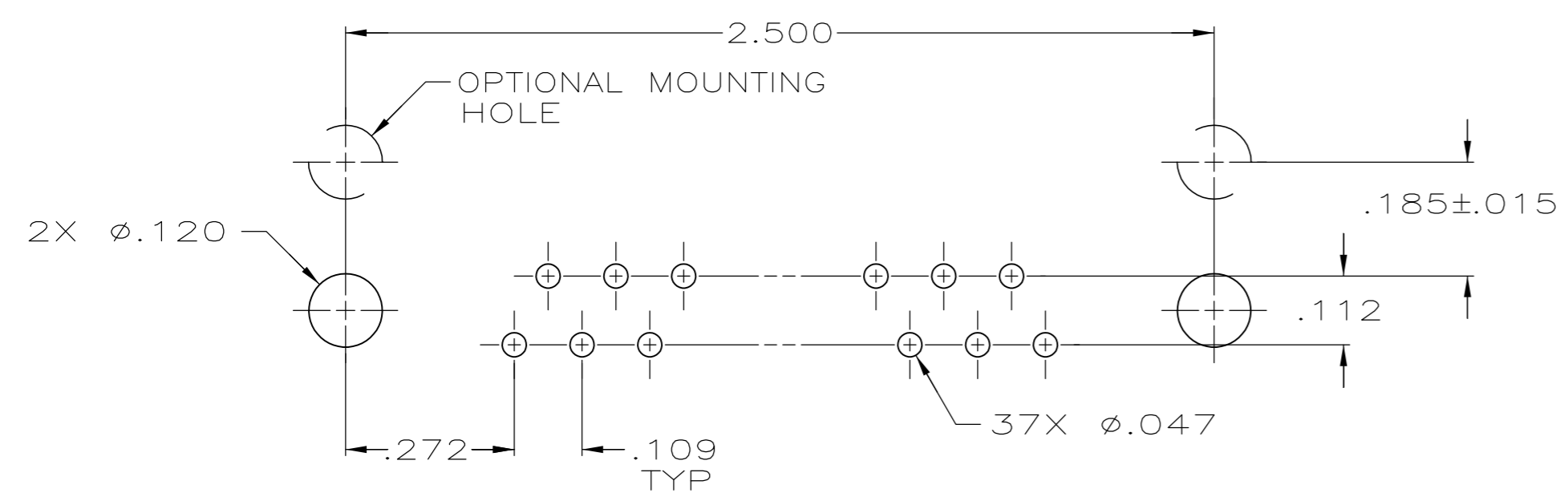
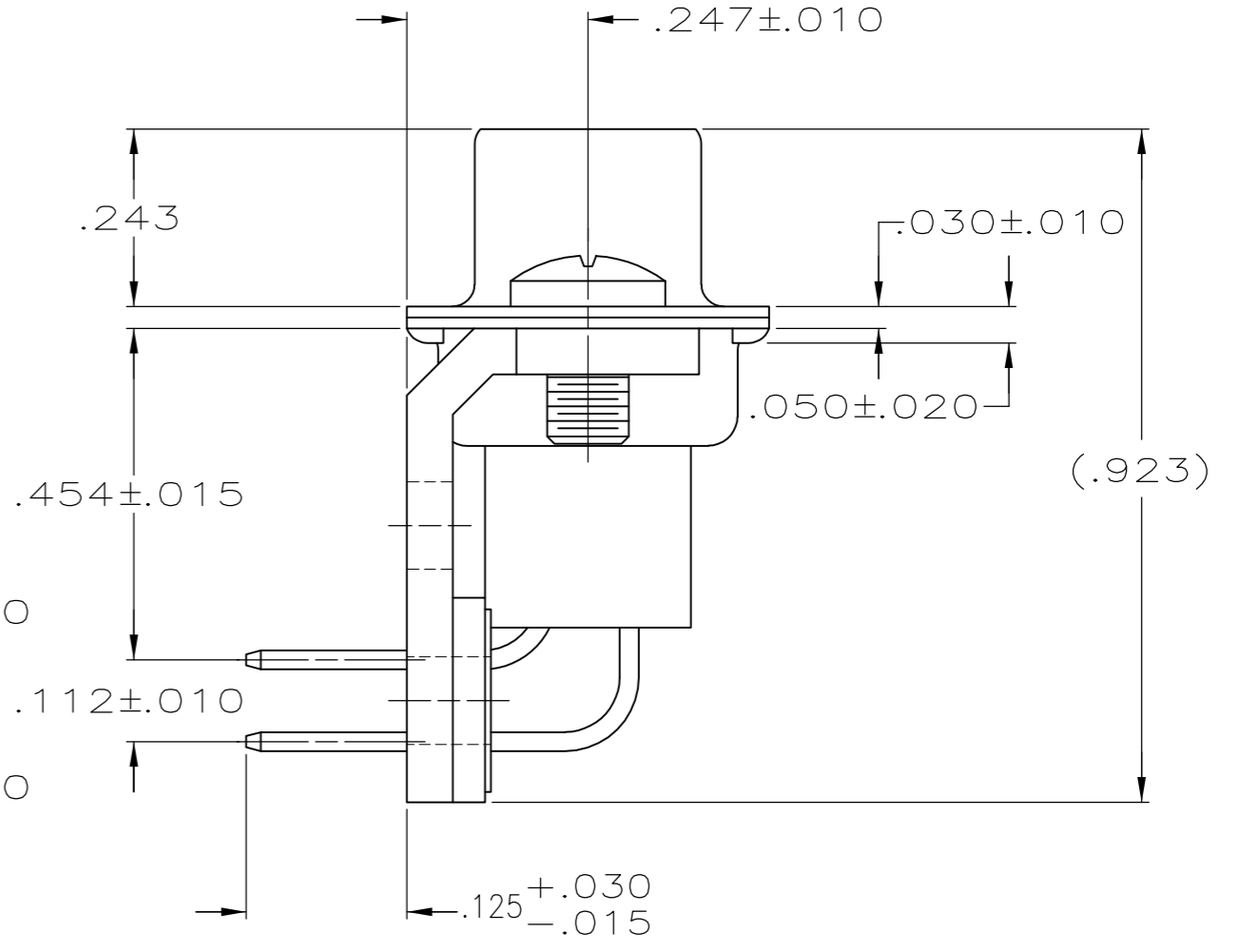
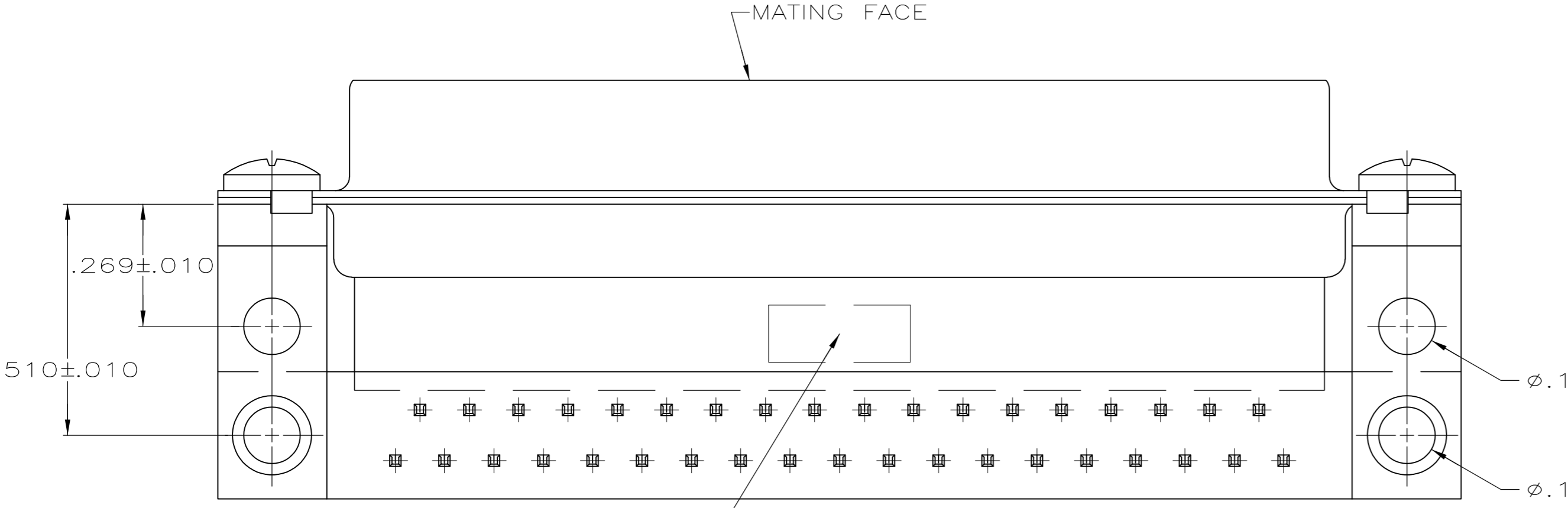


THIS DRAWING IS UNPUBLISHED. RELEASED FOR PUBLICATION  
 © COPYRIGHT 2005 By - ALL RIGHTS RESERVED.

| LOC |     | DIST        |                           | REVISIONS |      |    |  |
|-----|-----|-------------|---------------------------|-----------|------|----|--|
| P   | LTR | DESCRIPTION | DATE                      | DWN       | APVD |    |  |
| GP  | 00  | B           | REVISED PER ECO-14-011808 | 11AUG2014 | AP   | SB |  |



- ⚠ MOLDDED PARTS: GLASS-FILLED PBT OR GLASS-FILLED NYLON, UL94V-0 RATED. COLOR: BLACK.  
SHELLS & BRACKETS: CARBON STEEL.  
CONTACTS: PHOSPHOR BRONZE.
- ⚠ SHELLS: .000200 MIN TIN OVER .000100 MIN COPPER.  
BRACKETS: .000200 MIN TIN OVER .000050 MIN COPPER.  
CONTACTS: .000030 MIN GOLD FOR A LENGTH OF .100 MIN FROM MATING END, .000100 MIN TIN ON OPPOSITE END, BOTH OVER .000050 MIN NICKEL.  
-OR-  
GOLD FLASH OVER .000030 MIN PALLADIUM NICKEL PLATED FOR A LENGTH OF .100 MIN FROM MATING END, .000100 MIN TIN ON OPPOSITE END, BOTH OVER .000050 MIN NICKEL.



P.C. BOARD MOUNTING DIMENSIONS

5745441-4  
 PART NUMBER

|  |  |                                |   |                          |
|--|--|--------------------------------|---|--------------------------|
| THIS DRAWING IS A CONTROLLED DOCUMENT. |  | DWN<br>D. HENNY<br>8-31-05     | TE Connectivity   |                          |
| DIMENSIONS: INCHES                     |  | CHK<br>S. BOLASH<br>8-31-05    |   |                          |
| TOLERANCES UNLESS OTHERWISE SPECIFIED: |  | APVD<br>M. WALMSLEY<br>8-31-05 | NAME<br>RECEPTACLE ASSEMBLY, SIZE 4, 37 POSITION, RIGHT ANGLE, .454 SERIES, .025 SQ. POSTS, AMPLIMITE HDP |                          |
| 0 PLC ± -                              |  | PRODUCT SPEC<br>108-40025      | SIZE<br>A2  |                          |
| 1 PLC ± -                              |  | APPLICATION SPEC<br>114-40013  | CAGE CODE<br>00779  | DRAWING NO.<br>C=5745441 |
| 2 PLC ± -                              |  | WEIGHT<br>-                    | RESTRICTED TO<br>-  |                          |
| 3 PLC ± .005                           |  | CUSTOMER DRAWING               | SCALE<br>4:1  | SHEET<br>1 of 1          |
| 4 PLC ± -                              |  |                                |   | REV<br>B                 |
| ANGLES ± 2°                            |  |                                |   |                          |
| FINISH                                 |  |                                |   |                          |