



Chipsmall Limited consists of a professional team with an average of over 10 year of expertise in the distribution of electronic components. Based in Hongkong, we have already established firm and mutual-benefit business relationships with customers from,Europe,America and south Asia,supplying obsolete and hard-to-find components to meet their specific needs.

With the principle of “Quality Parts,Customers Priority,Honest Operation,and Considerate Service”,our business mainly focus on the distribution of electronic components. Line cards we deal with include Microchip,ALPS,ROHM,Xilinx,Pulse,ON,Everlight and Freescale. Main products comprise IC,Modules,Potentiometer,IC Socket,Relay,Connector.Our parts cover such applications as commercial,industrial, and automotives areas.

We are looking forward to setting up business relationship with you and hope to provide you with the best service and solution. Let us make a better world for our industry!



## Contact us

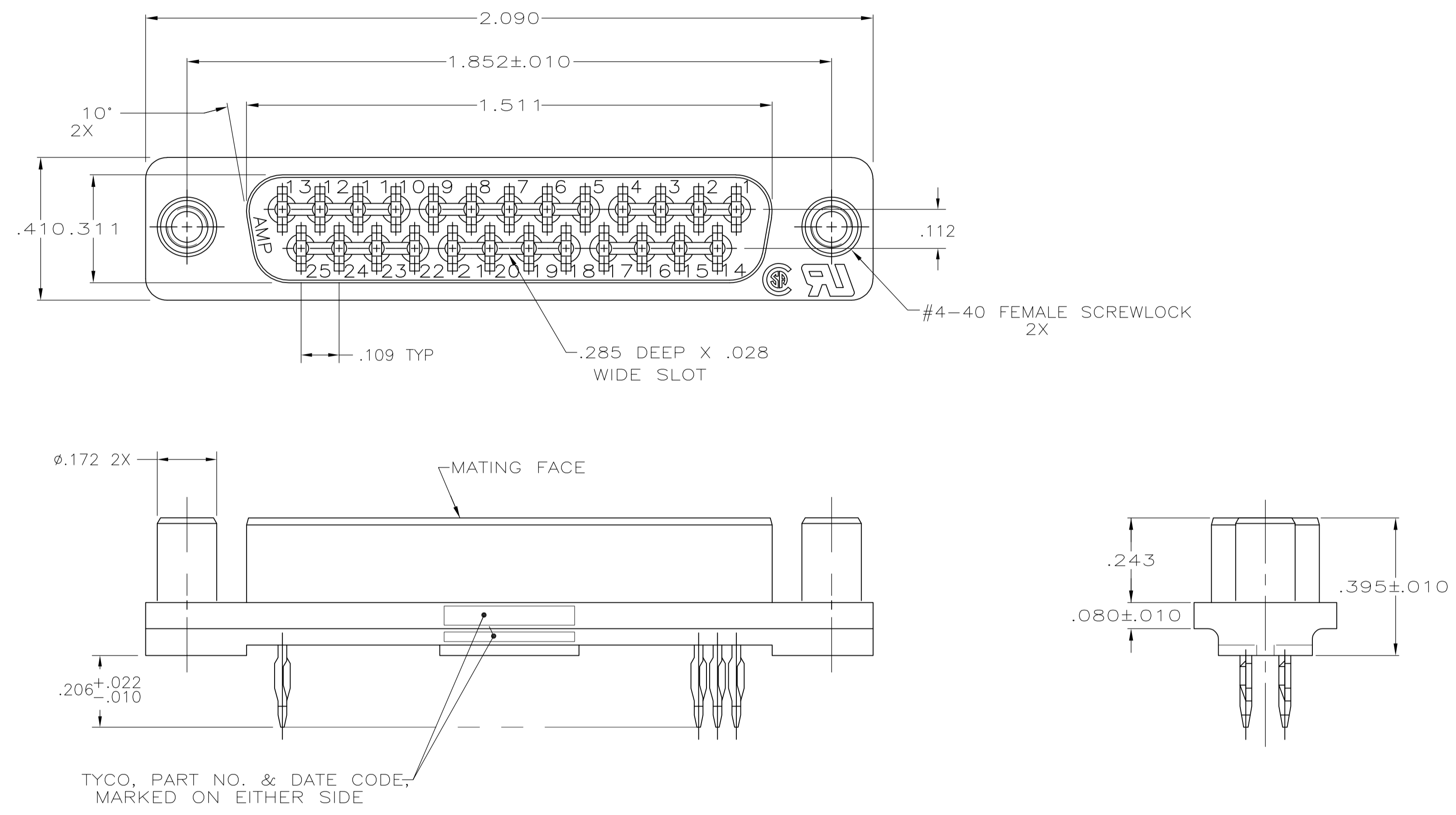
Tel: +86-755-8981 8866 Fax: +86-755-8427 6832

Email & Skype: info@chipsmall.com Web: www.chipsmall.com

Address: A1208, Overseas Decoration Building, #122 Zhenhua RD., Futian, Shenzhen, China



LOC	DIST	REVISIONS			
P	LTR	DESCRIPTION	DATE	DMN	APVD
C		REVISED PER ECO-12-000090	25JAN2012	CJV	SLB



- 1 FOR USE WITH .093 MINIMUM THICK PRINTED CIRCUIT BOARD. REFER TO APPLICATION SPECIFICATION FOR PRINTED CIRCUIT BOARD LAYOUT DIMENSIONS AND FINISH RECOMMENDATIONS.
- 2 MATERIAL:  
HOUSING: GLASS-FILLED NYLON, UL94V-0 RATED, COLOR: BLACK.  
CONTACTS: COPPER ALLOY.  
FEMALE SCREWLOCKS: BRASS.
- 3 PLATED WITH GOLD FLASH ON MATING SURFACES, .000100 MIN TIN ON COMPLIANT PIN, ALL OVER .000050 MIN NICKEL ON ENTIRE CONTACT.
- 4 0.76 MICROMETERS [.000030]MIN GOLD IN MATING AREA.  
2.54 MICROMETERS [.000100]MIN TIN ON COMPLIANT PIN.  
ALL OVER 1.27 MICROMETERS [.000050]MIN NICKEL.  
OR  
GOLD FLASH OVER PALLADIUM NICKEL.  
0.76 MICROMETERS [.000030]MIN TOTAL IN MATING AREA.  
2.54 MICROMETERS [.000100]MIN TIN ON COMPLIANT PIN.  
ALL OVER 1.27 MICROMETERS [.000050]MIN NICKEL.
- 5 SCREWLOCKS: .000050 MIN NICKEL OVER COPPER FLASH.

4	5745458-2
3	5745458-1
CONTACT FINISH	PART NUMBER

THIS DRAWING IS A CONTROLLED DOCUMENT. DIMENSIONING AND TOLERANCING PER ASME Y14.5M-2009.

DIMENSIONS:	TOLERANCES UNLESS OTHERWISE SPECIFIED:	DIN	G. PETERS	04FEB06
INCHES	0 PLC ± -	CHK	S. BOLASH	04FEB06
	1 PLC ± -	APPD	M. WALMSLEY	04FEB06
	2 PLC ± -	NAME	RECEPTACLE ASSEMBLY, ACTION-PIN, 25 POSITION, HD-20, AMPLIMITE	
	3 PLC ± .005	PRODUCT SPEC	108-40014	
	4 PLC ± .005	APPLICATION SPEC	114-40026 1	
	ANGLES ± -	SIZE	CAGE CODE	DRAWING NO
MATERIAL	FINISH	WEIGHT	A1	00779
		CUSTOMER DRAWING	SCALE	4:1
			SHEET	1 of 1
			REV	C

STE TE Connectivity