



Chipsmall Limited consists of a professional team with an average of over 10 year of expertise in the distribution of electronic components. Based in Hongkong, we have already established firm and mutual-benefit business relationships with customers from,Europe,America and south Asia,supplying obsolete and hard-to-find components to meet their specific needs.

With the principle of “Quality Parts,Customers Priority,Honest Operation,and Considerate Service”,our business mainly focus on the distribution of electronic components. Line cards we deal with include Microchip,ALPS,ROHM,Xilinx,Pulse,ON,Everlight and Freescale. Main products comprise IC,Modules,Potentiometer,IC Socket,Relay,Connector.Our parts cover such applications as commercial,industrial, and automotives areas.

We are looking forward to setting up business relationship with you and hope to provide you with the best service and solution. Let us make a better world for our industry!



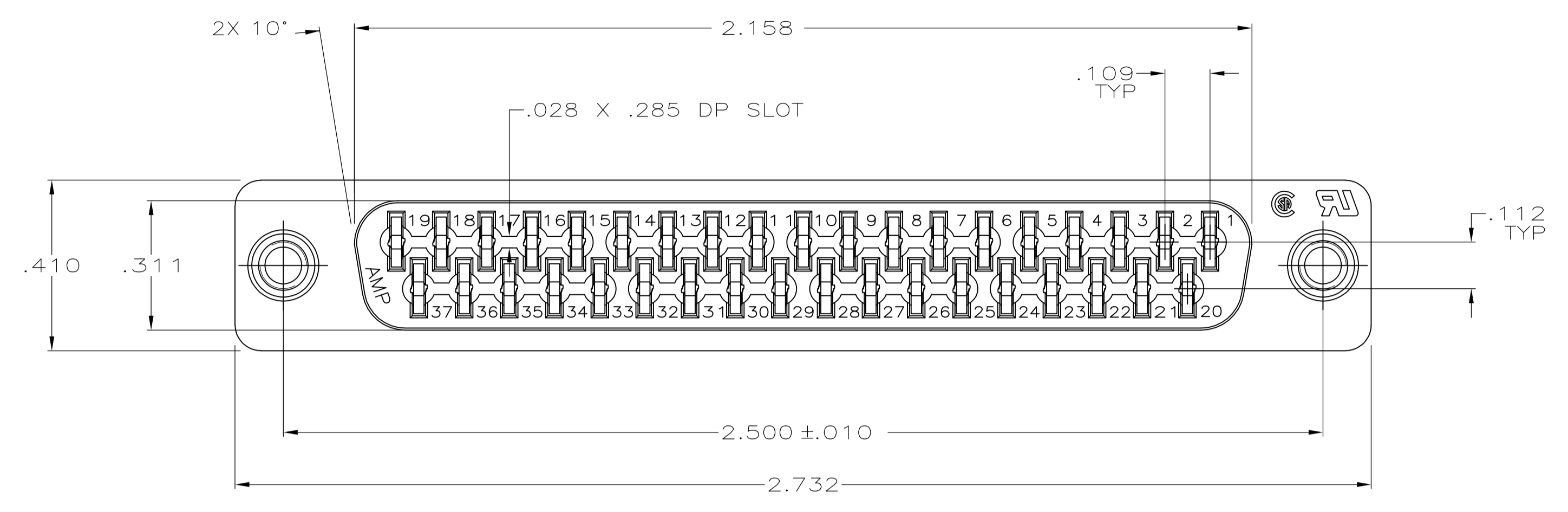
## Contact us

Tel: +86-755-8981 8866 Fax: +86-755-8427 6832

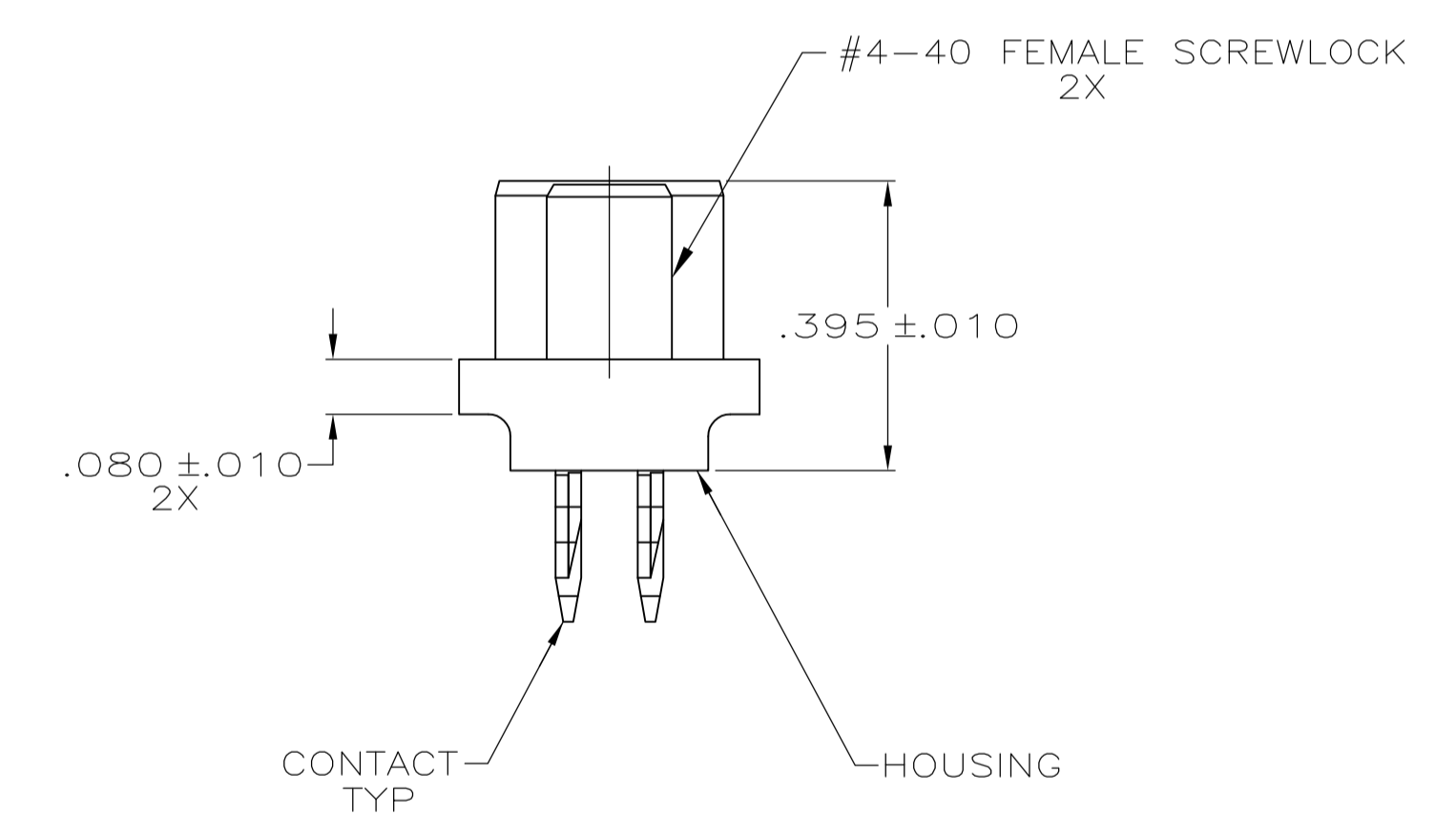
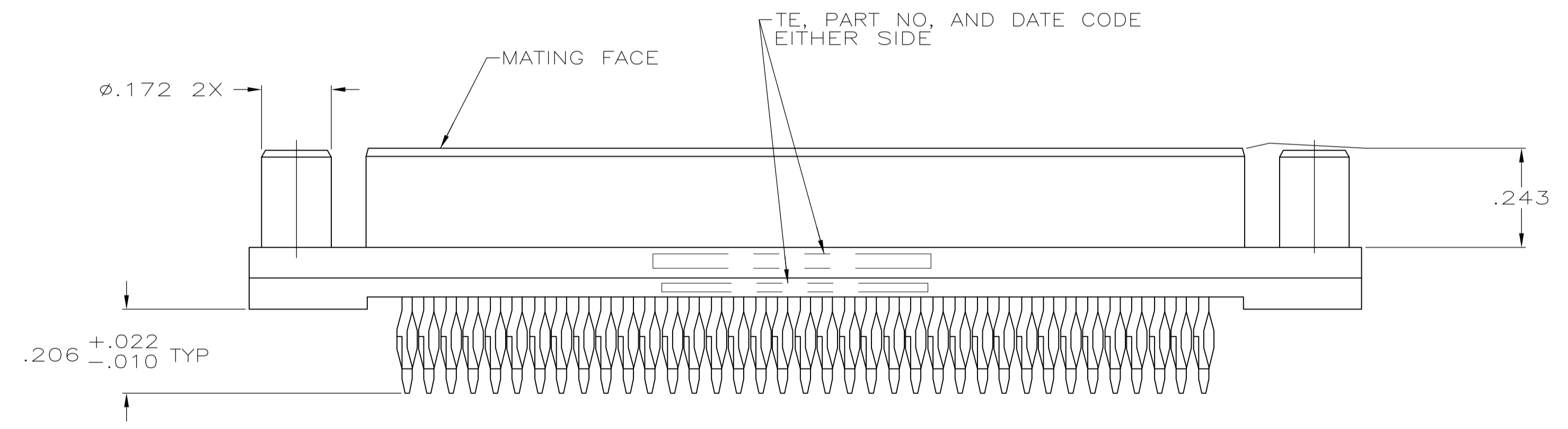
Email & Skype: info@chipsmall.com Web: www.chipsmall.com

Address: A1208, Overseas Decoration Building, #122 Zhenhua RD., Futian, Shenzhen, China





- 1 FOR USE WITH .093 MINIMUM THICK PRINTED CIRCUIT BOARD. REFER TO APPLICATION SPECIFICATION FOR PRINTED CIRCUIT BOARD LAYOUT DIMENSIONS AND FINISH RECOMMENDATIONS.
- 2 MATERIAL:  
HOUSING: GLASS-FILLED NYLON OR POLYESTER, UL94V-0 RATED.  
COLOR: BLACK  
CONTACTS: COPPER-NICKEL ALLOY.  
SCREWLOCKS: BRASS.
- 3 SCREWLOCKS: .000050 MIN NICKEL OVER COPPER FLASH.
- 4 CONTACTS:  
0.76 MICROMETERS [.000030]MIN GOLD IN MATING AREA.  
2.54 MICROMETERS [.000100]MIN TIN ON COMPLIANT PIN.  
ALL OVER 1.27 MICROMETERS [.000050]MIN NICKEL.  
OR  
GOLD FLASH OVER PALLADIUM NICKEL.  
0.76 MICROMETERS [.000030]MIN TOTAL IN MATING AREA.  
2.54 MICROMETERS [.000100]MIN TIN ON COMPLIANT PIN.  
ALL OVER 1.27 MICROMETERS [.000050]MIN NICKEL.



5745459-2  
PART NUMBER

THIS DRAWING IS A CONTROLLED DOCUMENT.		DIN G. PETERS/DTI 04FEB06	TE Connectivity	
DIMENSIONS: INCHES		CHK S. BOLASH 04FEB06		
TOLERANCES UNLESS OTHERWISE SPECIFIED:		APPD M. WALMSLEY 04FEB06	NAME RECEPTACLE ASSEMBLY, ACTION-PIN, 37 POSITION, HD-20, AMPLIMITE	
0 PLC ± -	1 PLC ± -	PRODUCT SPEC 108-40014	SIZE A1	
2 PLC ± -	3 PLC ± .005	APPLICATION SPEC 114-40026 1	CAGE CODE 00779	DRAWING NO 5745459
4 PLC ± -	ANGLES ± -	WEIGHT -	SCALE 4:1	SHEET 1 OF 1
MATERIAL 2	FINISH 3 4	CUSTOMER DRAWING	REV -	REV -