



Chipsmall Limited consists of a professional team with an average of over 10 year of expertise in the distribution of electronic components. Based in Hongkong, we have already established firm and mutual-benefit business relationships with customers from,Europe,America and south Asia,supplying obsolete and hard-to-find components to meet their specific needs.

With the principle of “Quality Parts,Customers Priority,Honest Operation,and Considerate Service”,our business mainly focus on the distribution of electronic components. Line cards we deal with include Microchip,ALPS,ROHM,Xilinx,Pulse,ON,Everlight and Freescale. Main products comprise IC,Modules,Potentiometer,IC Socket,Relay,Connector.Our parts cover such applications as commercial,industrial, and automotives areas.

We are looking forward to setting up business relationship with you and hope to provide you with the best service and solution. Let us make a better world for our industry!



## Contact us

Tel: +86-755-8981 8866 Fax: +86-755-8427 6832

Email & Skype: info@chipsmall.com Web: www.chipsmall.com

Address: A1208, Overseas Decoration Building, #122 Zhenhua RD., Futian, Shenzhen, China



THIS DRAWING IS UNPUBLISHED.

RELEASED FOR PUBLICATION

---

LOC

DIST

REVISIONS

© COPYRIGHT - By -

ALL RIGHTS RESERVED.

GP

00

P

LTR

DESCRIPTION

DATE

DWN

APVD

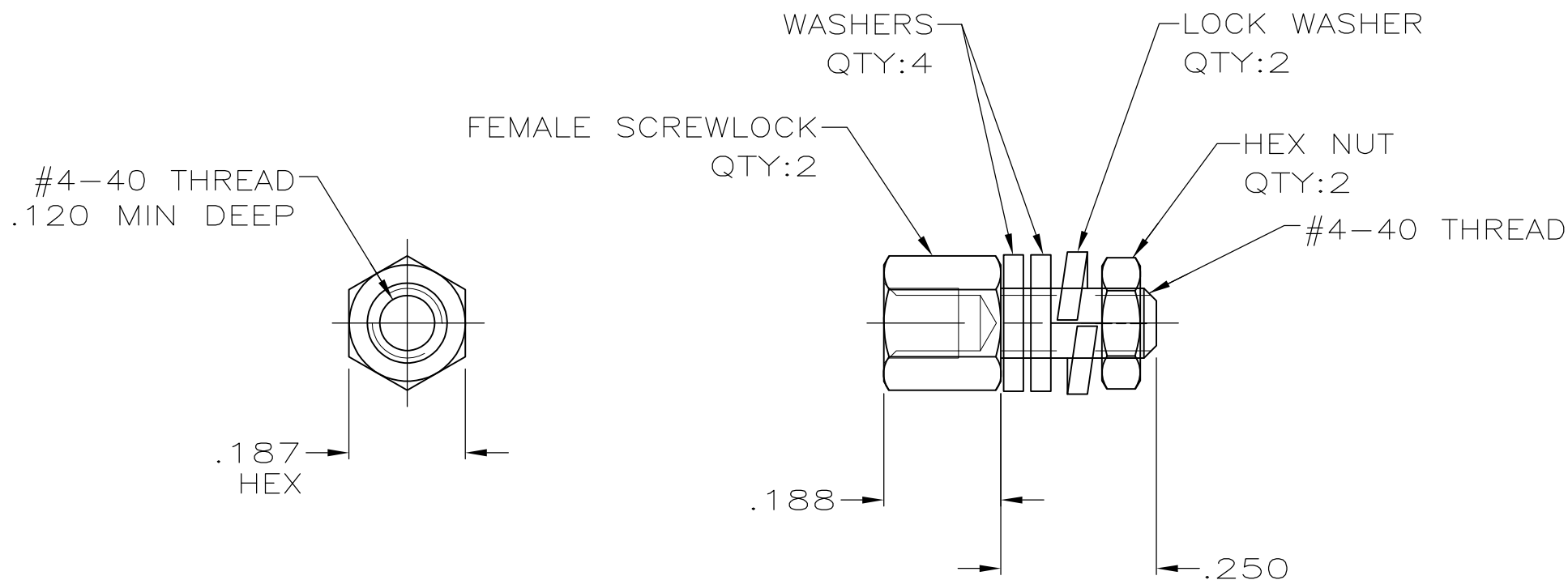
P

REVISED PER ECO-11-004835

11MAR11

RK

HMR



- ① ZINC PLATED .000200-.000400 THICK, YELLOW CHROMATE COATING.
- ② ZINC PLATED .000200-.000400 THICK, CLEAR CHROMATE COATING.
- 3. PARTS PACKAGED UNASSEMBLED.
- ④ PARTS PACKAGED AS A UNIT KIT.
- ⑤ PARTS INDIVIDUALLY BULK PACKED & SHIPPED AS A UNIT PACKAGE.

⑤	②	5745563-4
④	②	5745563-3
④	①	5745563-1
PACKAGING	FINISH	PART NUMBER

THIS DRAWING IS A CONTROLLED DOCUMENT.		DWN S.WAITMAN 30JUN05	TE Connectivity					
DIMENSIONS: INCHES		CHK C.ROHDE 30JUN05				NAME KIT, SCREWLOCK, FEMALE, PLASTIC OR METAL SERIES, SHORT, AMPLIMITE HDE		
		APVD M.WALMSLEY 30JUN05						
TOLERANCES UNLESS OTHERWISE SPECIFIED:		PRODUCT SPEC				SIZE	CAGE CODE	DRAWING NO
0 PLC ± - 1 PLC ± - 2 PLC ± - 3 PLC ± .005 4 PLC ± - ANGLES ± -		APPLICATION SPEC	A3 00779 C-5745563					
MATERIAL STEEL		FINISH SEE TABLE	WEIGHT -	SCALE 4:1		SHEET 1 OF 1	REV P	
CUSTOMER DRAWING								