



Chipsmall Limited consists of a professional team with an average of over 10 year of expertise in the distribution of electronic components. Based in Hongkong, we have already established firm and mutual-benefit business relationships with customers from,Europe,America and south Asia,supplying obsolete and hard-to-find components to meet their specific needs.

With the principle of “Quality Parts,Customers Priority,Honest Operation,and Considerate Service”,our business mainly focus on the distribution of electronic components. Line cards we deal with include Microchip,ALPS,ROHM,Xilinx,Pulse,ON,Everlight and Freescale. Main products comprise IC,Modules,Potentiometer,IC Socket,Relay,Connector.Our parts cover such applications as commercial,industrial, and automotives areas.

We are looking forward to setting up business relationship with you and hope to provide you with the best service and solution. Let us make a better world for our industry!



Contact us

Tel: +86-755-8981 8866 Fax: +86-755-8427 6832

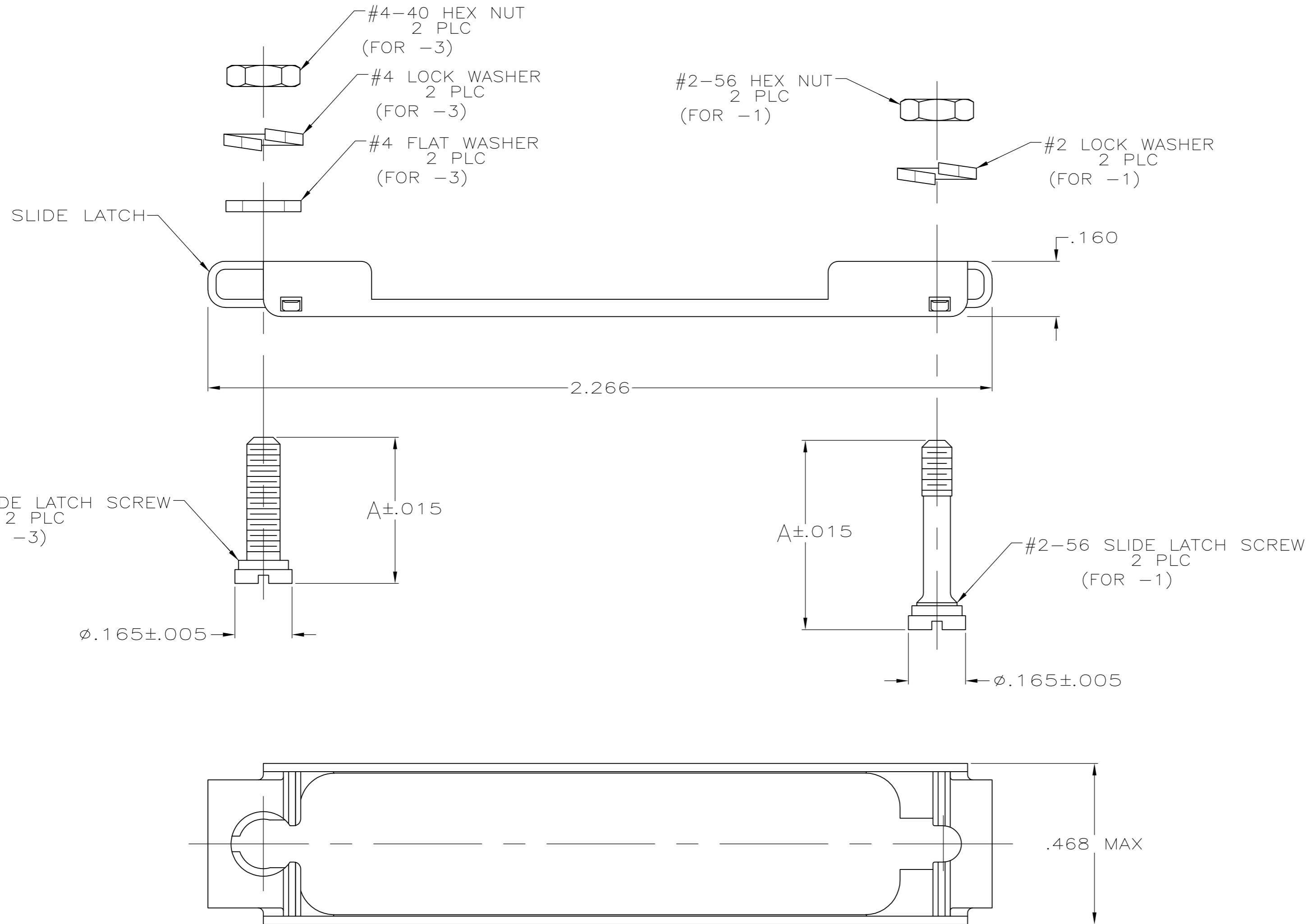
Email & Skype: info@chipsmall.com Web: www.chipsmall.com

Address: A1208, Overseas Decoration Building, #122 Zhenhua RD., Futian, Shenzhen, China



THIS DRAWING IS UNPUBLISHED. RELEASED FOR PUBLICATION
 © COPYRIGHT - By - ALL RIGHTS RESERVED.

LOC	DIST	REVISIONS			
P	LTR	DESCRIPTION	DATE	DWN	APVD
BD	0				
P		REVISED PER ECO-11-004835	11MAR11	RK	HMR



- PARTS PACKAGED UNASSEMBLED.
- PARTS PACKAGED AS A UNIT KIT.
- ZINC PLATED .000200-.000400 THICK, CLEAR CHROMATE COATING.
- ZINC PLATED .000200-.000400 THICK, YELLOW CHROMATE COATING.
- THIS KIT CAN BE USED WITH TWO-PIECE STRAIGHT/90° EXIT CABLE CLAMPS, RFI/EMI CABLE CLAMPS OR UNIVERSAL CABLE CLAMPS.
- THIS KIT CAN BE USED WITH STRAIGHT/45° EXIT ONE-PIECE CABLE CLAMPS, STRAIGHT/90° EXIT ONE-PIECE CABLE CLAMPS, OR ON CONNECTORS WITHOUT CABLE CLAMPS.

.415	4	#4-40	6	5745584-3
.547	3	#2-56	5	5745584-1
A	HARDWARE FINISH	THREAD TYPE	PART NO	

DIMENSIONS:		TOLERANCES UNLESS OTHERWISE SPECIFIED:		DWN		30JUN05		S.WAITMAN	
INCHES		0 PLC	± -	CHK		30JUN05		J.GERACE	
		1 PLC	± -	APVD		30JUN05		M.WALMSLEY	
		2 PLC	± -	PRODUCT SPEC		-		-	
		3 PLC	± .010	APPLICATION SPEC		-		-	
		4 PLC	± -	-		-		-	
MATERIAL		FINISH		WEIGHT		SIZE		CAGE CODE	
SLIDE LATCH: STAINLESS STEEL		HARDWARE: SEE TABLE		-		A2		00779	
HARDWARE: STEEL				CUSTOMER DRAWING		SCALE		SHEET	
						4:1		1 of 1	
								REV	
								P	

TE TE Connectivity

NAME: KIT, SLIDE LATCH, SIZE 3, 25 POSITION, AMPLIMITE