



Chipsmall Limited consists of a professional team with an average of over 10 year of expertise in the distribution of electronic components. Based in Hongkong, we have already established firm and mutual-benefit business relationships with customers from,Europe,America and south Asia,supplying obsolete and hard-to-find components to meet their specific needs.

With the principle of “Quality Parts,Customers Priority,Honest Operation,and Considerate Service”,our business mainly focus on the distribution of electronic components. Line cards we deal with include Microchip,ALPS,ROHM,Xilinx,Pulse,ON,Everlight and Freescale. Main products comprise IC,Modules,Potentiometer,IC Socket,Relay,Connector.Our parts cover such applications as commercial,industrial, and automotives areas.

We are looking forward to setting up business relationship with you and hope to provide you with the best service and solution. Let us make a better world for our industry!



Contact us

Tel: +86-755-8981 8866 Fax: +86-755-8427 6832

Email & Skype: info@chipsmall.com Web: www.chipsmall.com

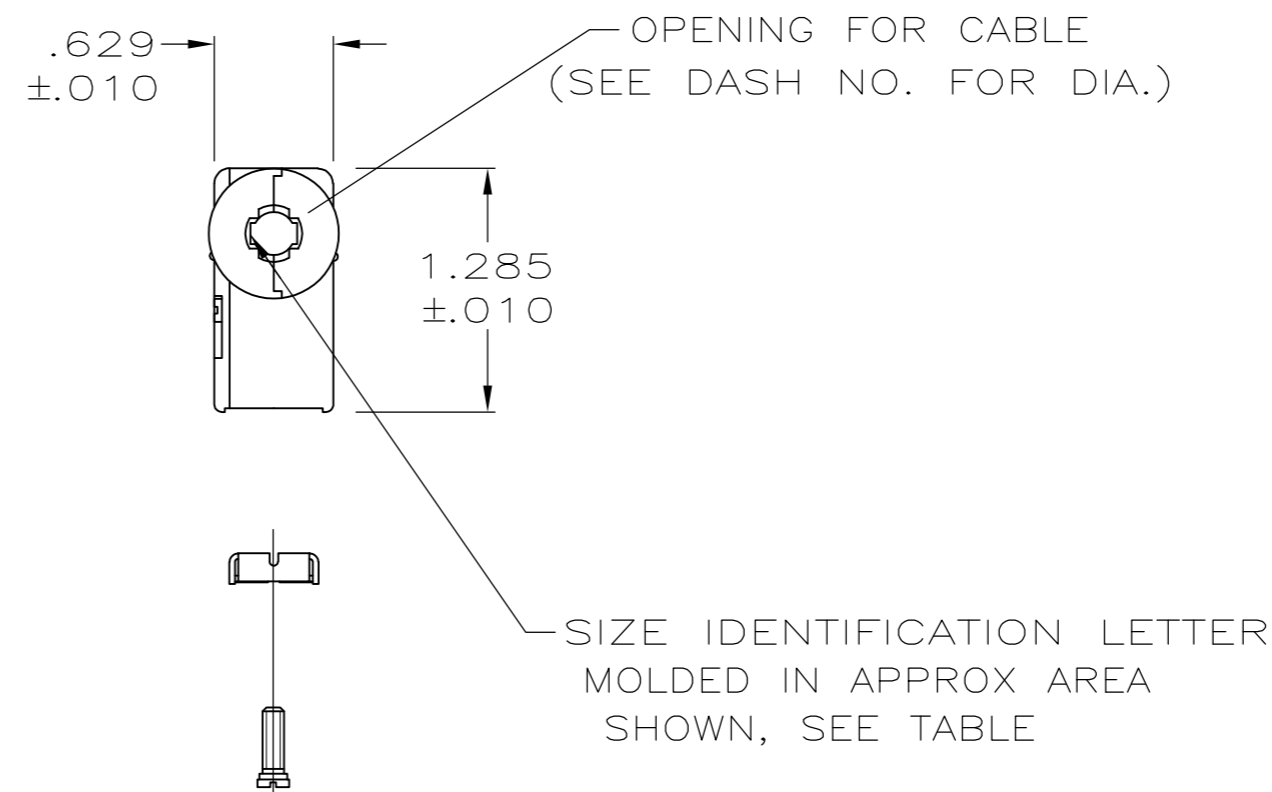
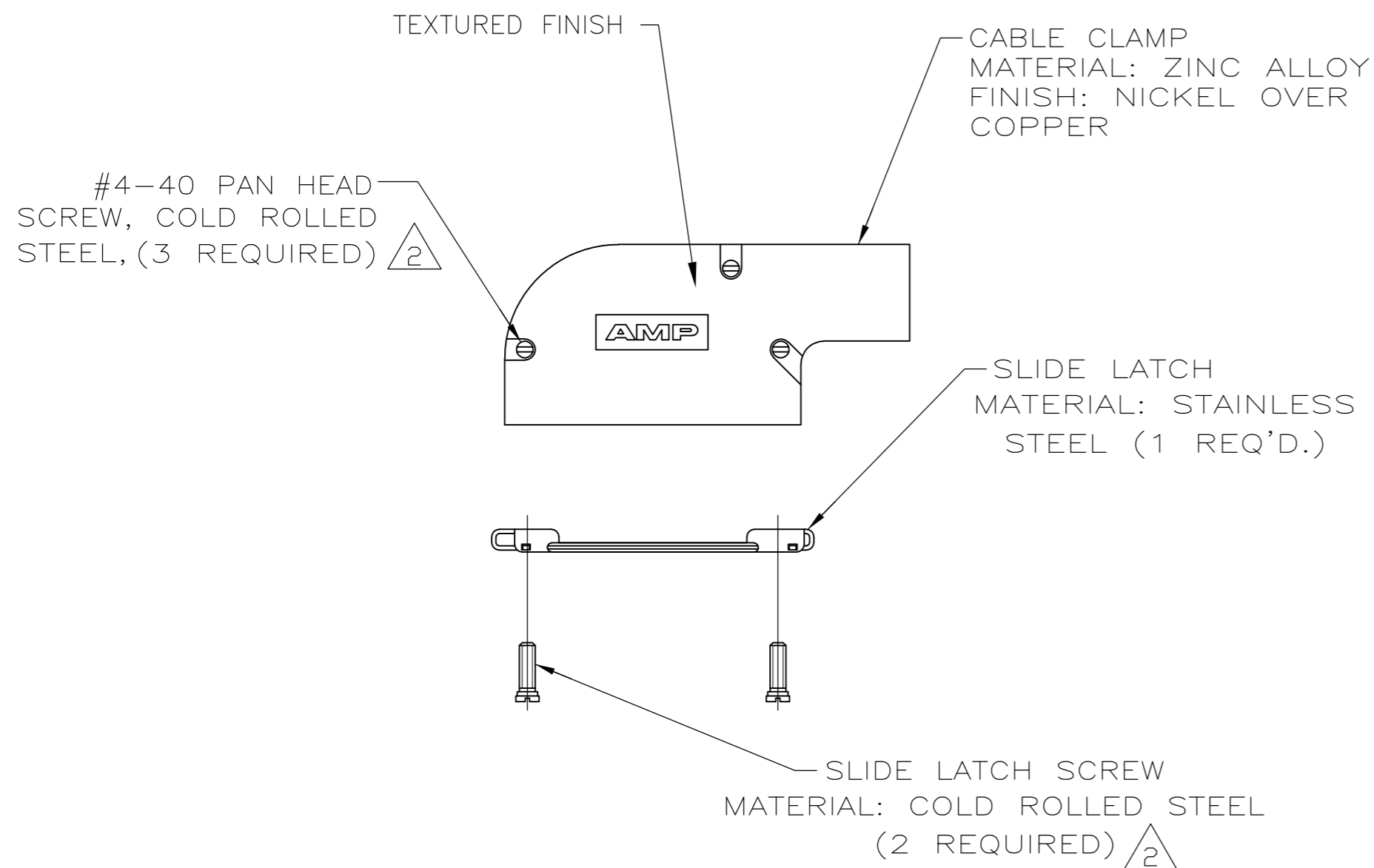
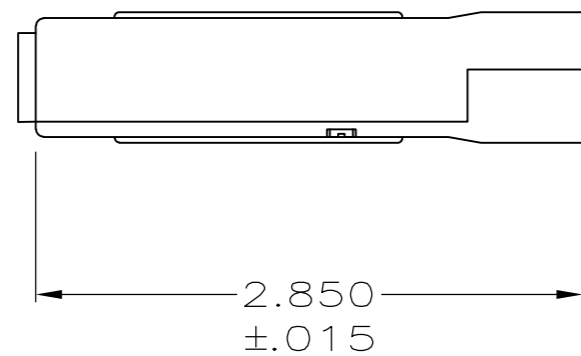
Address: A1208, Overseas Decoration Building, #122 Zhenhua RD., Futian, Shenzhen, China



THIS DRAWING IS UNPUBLISHED. RELEASED FOR PUBLICATION
 © COPYRIGHT - By - ALL RIGHTS RESERVED.

LOC		DIST		REVISIONS			
P	LTR	DESCRIPTION	DATE	DWN	APVD		
GP	00	P					
		P	REVISED PER ECO-11-004835	11MAR11	RK HMR		

1. ALL PARTS PACKAGED UNASSEMBLED AS A UNIT KIT.
- △ ZINC PLATED .000200-.000400 THICK CLEAR CHROMATE COATING.



D	.280	5745653-5
G	.355	5745653-4
K	.430	5745653-3
M	.480	5745653-2
P	.530	5745653-1
NECK IDENT	CABLE DIA	PART NO.

THIS DRAWING IS A CONTROLLED DOCUMENT.		DWN	12AUG05	 TE Connectivity	
DIMENSIONS: INCHES		CHK	12AUG05		
TOLERANCES UNLESS OTHERWISE SPECIFIED:		APVD	12AUG05		
0 PLC ± - 1 PLC ± - 2 PLC ± - 3 PLC ± .005 4 PLC ± - ANGLES ± -		NAME	M. WALMSLEY		
MATERIAL SEE CALLOUTS		FINISH	SEE CALLOUTS	PRODUCT SPEC	-
		WEIGHT	-	APPLICATION SPEC	-
		CUSTOMER DRAWING	SCALE 1:1	SIZE	A2
				CAGE CODE	00779
				DRAWING NO	C=5745653
				RESTRICTED TO	-
				SHEET	1 of 1
				REV	P