



Chipsmall Limited consists of a professional team with an average of over 10 year of expertise in the distribution of electronic components. Based in Hongkong, we have already established firm and mutual-benefit business relationships with customers from,Europe,America and south Asia,supplying obsolete and hard-to-find components to meet their specific needs.

With the principle of “Quality Parts,Customers Priority,Honest Operation,and Considerate Service”,our business mainly focus on the distribution of electronic components. Line cards we deal with include Microchip,ALPS,ROHM,Xilinx,Pulse,ON,Everlight and Freescale. Main products comprise IC,Modules,Potentiometer,IC Socket,Relay,Connector.Our parts cover such applications as commercial,industrial, and automotives areas.

We are looking forward to setting up business relationship with you and hope to provide you with the best service and solution. Let us make a better world for our industry!



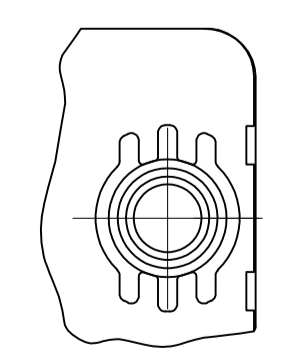
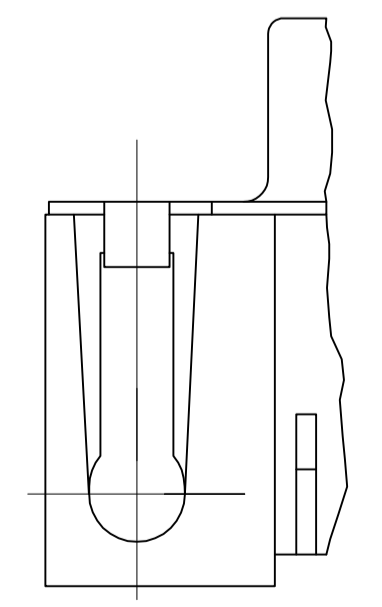
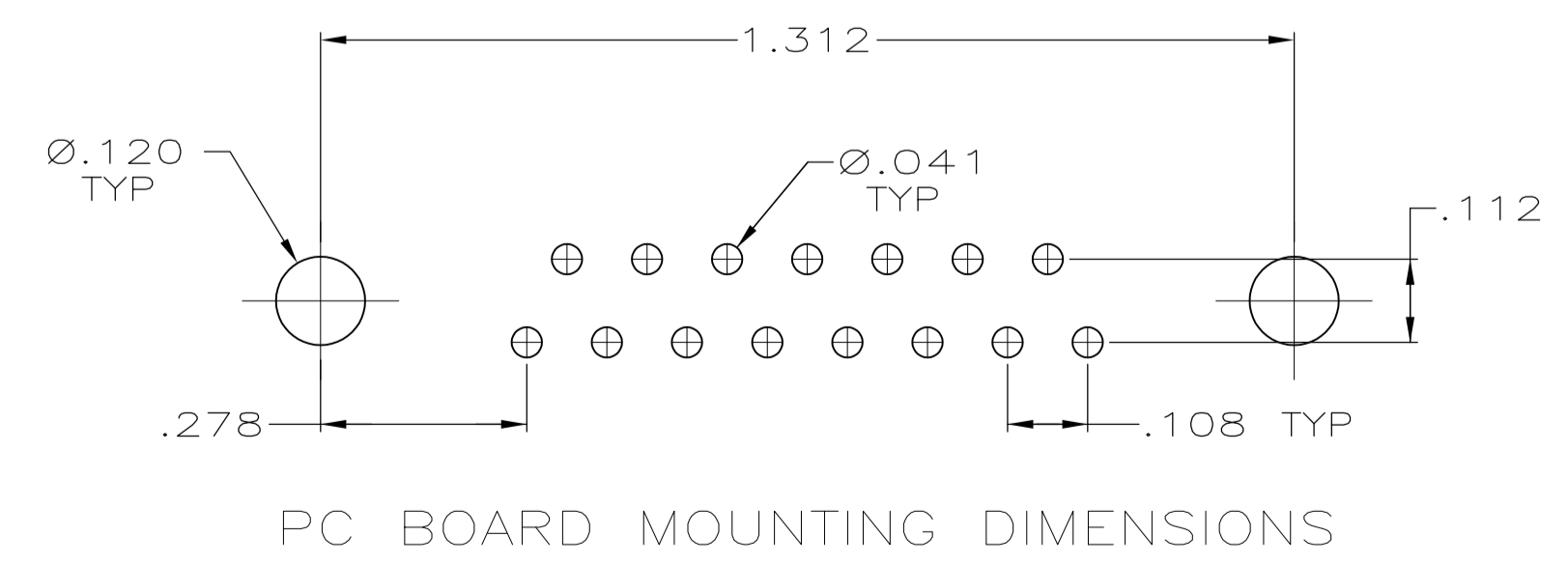
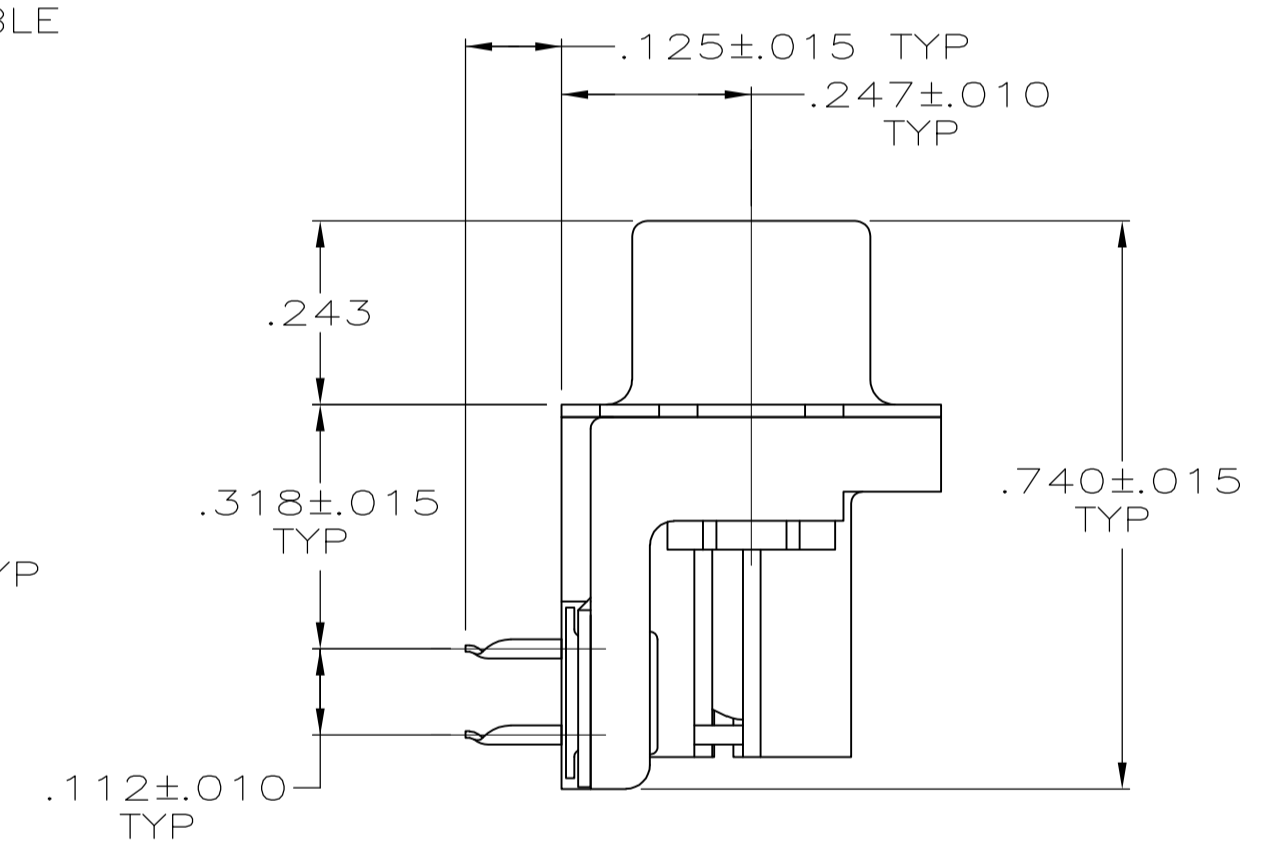
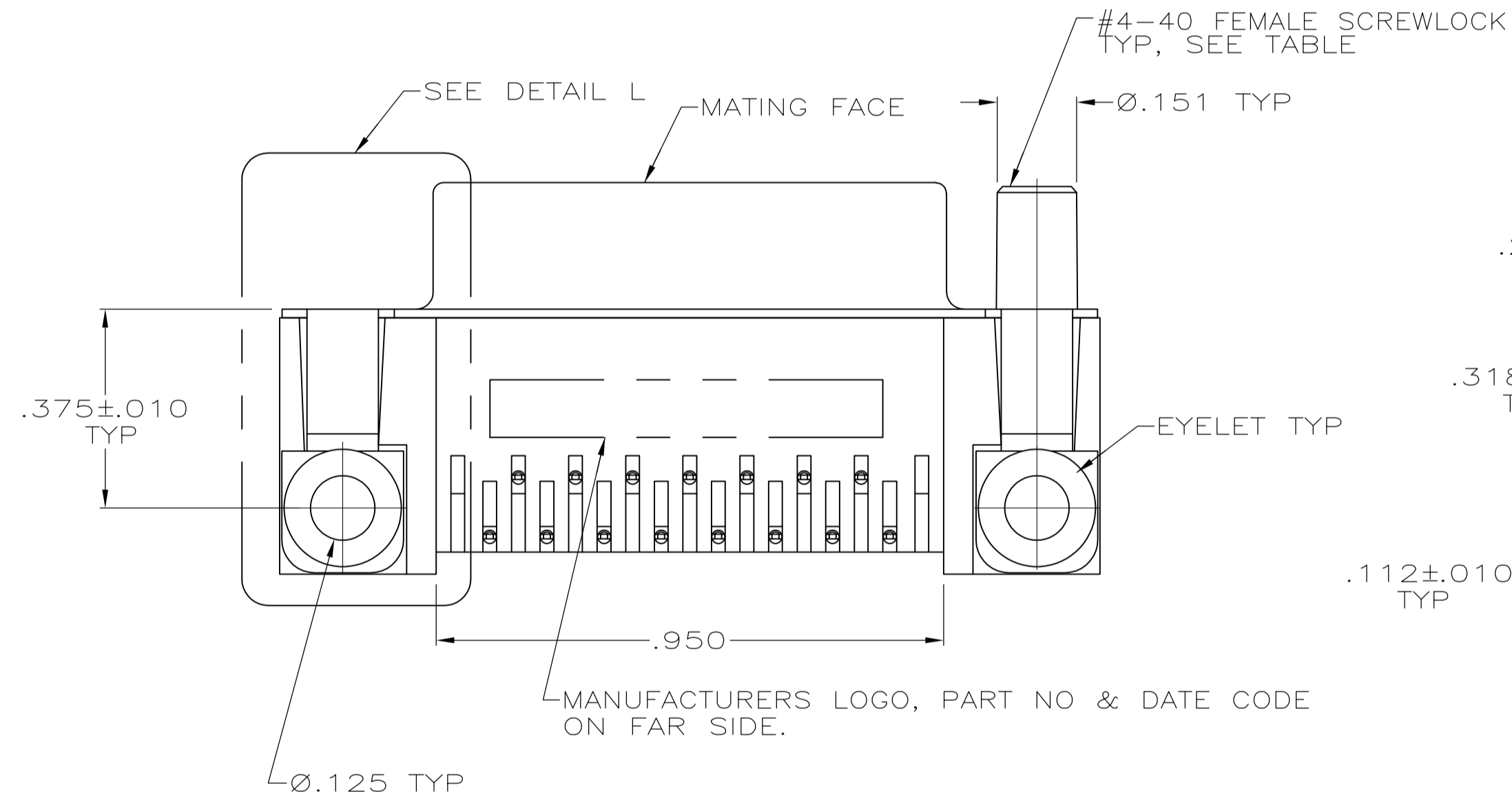
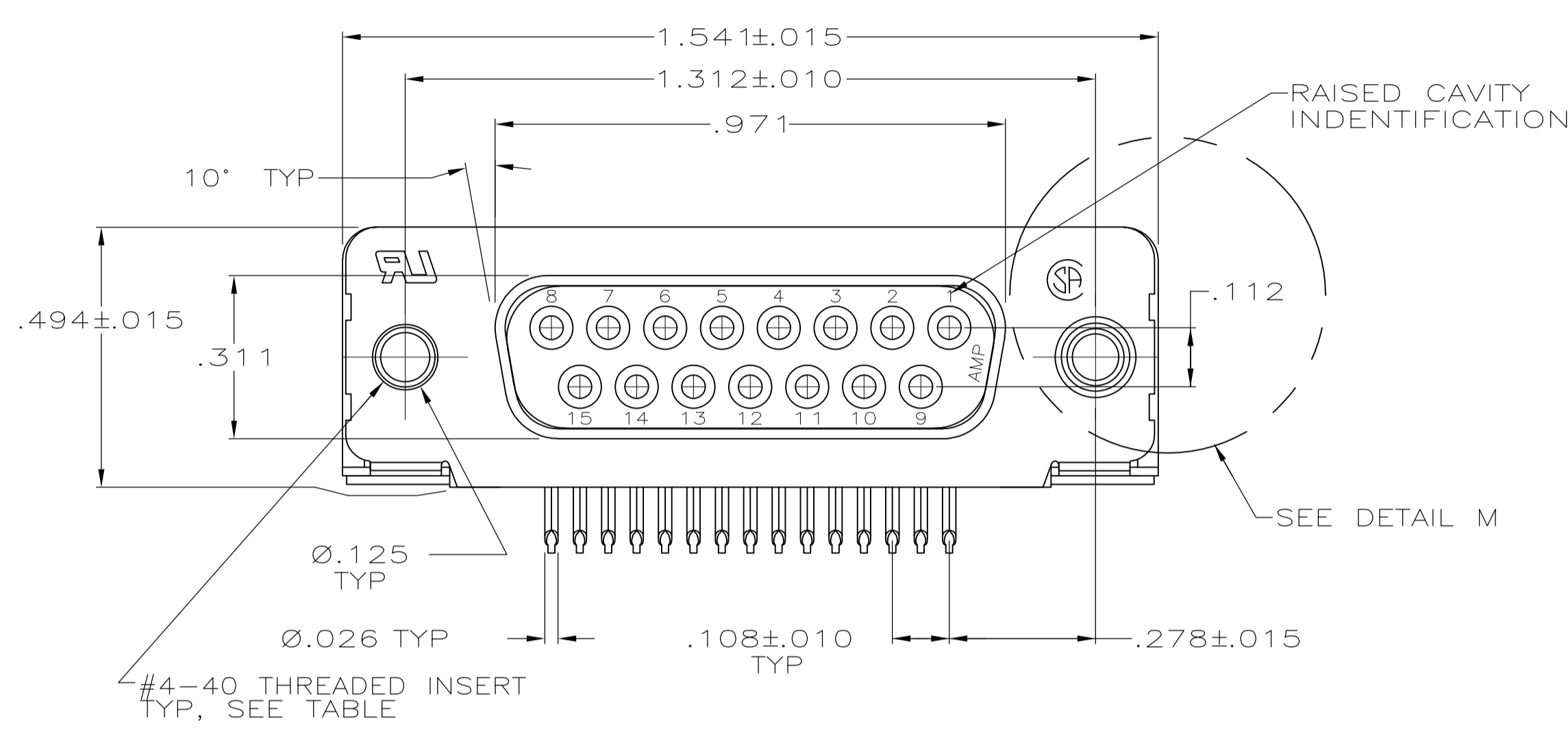
## Contact us

Tel: +86-755-8981 8866 Fax: +86-755-8427 6832

Email & Skype: info@chipsmall.com Web: www.chipsmall.com

Address: A1208, Overseas Decoration Building, #122 Zhenhua RD., Futian, Shenzhen, China





DETAIL L  
TYP BOTH ENDS

DETAIL M  
FOR -6 ONLY

- CONNECTOR MATES WITH ANY 15 POSN PLUG IN AMPLIMITE SERIES & COMPLIES WITH AMP SPEC 108-40005 WHERE APPLICABLE.
- MOLDED PARTS: FLAME RETARDANT 94V-0 RATED THERMOPLASTIC, BLACK.  
SHELL: CARBON STEEL.  
CONTACTS: PHOSPHOR BRONZE.  
EYELETS: BRASS.  
SCREWLOCKS: ZINC.  
INSERTS: ZINC.
- SHELL: TIN PLATED.  
CONTACTS: .000030 GOLD FOR A DISTANCE OF .100 MIN FROM MATING END, TIN PLATED .000100-.000200 ON OPPOSITE END, ALL OVER .000050 NICKEL.  
EYELETS: TIN PLATED.  
SCREWLOCKS: CLEAR CHROMATE.  
INSERTS: CLEAR CHROMATE.

FEMALE SCREWLOCKS	5745782-6
THREADED INSERTS	5745782-4
NONE	5745782-2
MOUNTING HARDWARE	PART NUMBER

**COPYRIGHT 2005  
TE CONNECTIVITY CORP  
ALL RIGHTS RESERVED**

THIS DRAWING IS A CONTROLLED DOCUMENT.		DIN A FERNANDEZ-DOCKS 04-06-05																																				
DIMENSIONS: INCHES		TOLERANCES UNLESS OTHERWISE SPECIFIED:																																				
<table border="1"> <tr><td>0. PLC</td><td>± .005</td></tr> <tr><td>1. PLC</td><td>± .005</td></tr> <tr><td>2. PLC</td><td>± .005</td></tr> <tr><td>3. PLC</td><td>± .005</td></tr> <tr><td>4. PLC</td><td>± .005</td></tr> <tr><td>ANGLES</td><td>± .2°</td></tr> </table>		0. PLC	± .005	1. PLC	± .005	2. PLC	± .005	3. PLC	± .005	4. PLC	± .005	ANGLES	± .2°	<table border="1"> <tr><td>APVD</td><td>M. WALMSLEY</td><td>04-06-05</td></tr> <tr><td>NAME</td><td colspan="2">RCPT ASSY, SIZE 2, 15 POSN, RTANG, AMPLIMITE HD-20, WITH METAL SHELL, WITH OR WITHOUT SCREWLOCKS OR INSERTS</td></tr> <tr><td>PRODUCT SPEC</td><td colspan="2">108-40025</td></tr> <tr><td>APPLICATION SPEC</td><td colspan="2">114-40010</td></tr> <tr><td>SIZE</td><td>CAGE CODE</td><td>DRAWING NO</td></tr> <tr><td>WEIGHT</td><td>A1</td><td>00779</td></tr> <tr><td colspan="3">CUSTOMER DRAWING</td></tr> </table>		APVD	M. WALMSLEY	04-06-05	NAME	RCPT ASSY, SIZE 2, 15 POSN, RTANG, AMPLIMITE HD-20, WITH METAL SHELL, WITH OR WITHOUT SCREWLOCKS OR INSERTS		PRODUCT SPEC	108-40025		APPLICATION SPEC	114-40010		SIZE	CAGE CODE	DRAWING NO	WEIGHT	A1	00779	CUSTOMER DRAWING			<p>SCALE 4:1 SHEET 1 OF 1 REV R</p>	
0. PLC	± .005																																					
1. PLC	± .005																																					
2. PLC	± .005																																					
3. PLC	± .005																																					
4. PLC	± .005																																					
ANGLES	± .2°																																					
APVD	M. WALMSLEY	04-06-05																																				
NAME	RCPT ASSY, SIZE 2, 15 POSN, RTANG, AMPLIMITE HD-20, WITH METAL SHELL, WITH OR WITHOUT SCREWLOCKS OR INSERTS																																					
PRODUCT SPEC	108-40025																																					
APPLICATION SPEC	114-40010																																					
SIZE	CAGE CODE	DRAWING NO																																				
WEIGHT	A1	00779																																				
CUSTOMER DRAWING																																						