



Chipsmall Limited consists of a professional team with an average of over 10 year of expertise in the distribution of electronic components. Based in Hongkong, we have already established firm and mutual-benefit business relationships with customers from,Europe,America and south Asia,supplying obsolete and hard-to-find components to meet their specific needs.

With the principle of "Quality Parts,Customers Priority,Honest Operation,and Considerate Service",our business mainly focus on the distribution of electronic components. Line cards we deal with include Microchip,ALPS,ROHM,Xilinx,Pulse,ON,Everlight and Freescale. Main products comprise IC,Modules,Potentiometer,IC Socket,Relay,Connector.Our parts cover such applications as commercial,industrial, and automotives areas.

We are looking forward to setting up business relationship with you and hope to provide you with the best service and solution. Let us make a better world for our industry!



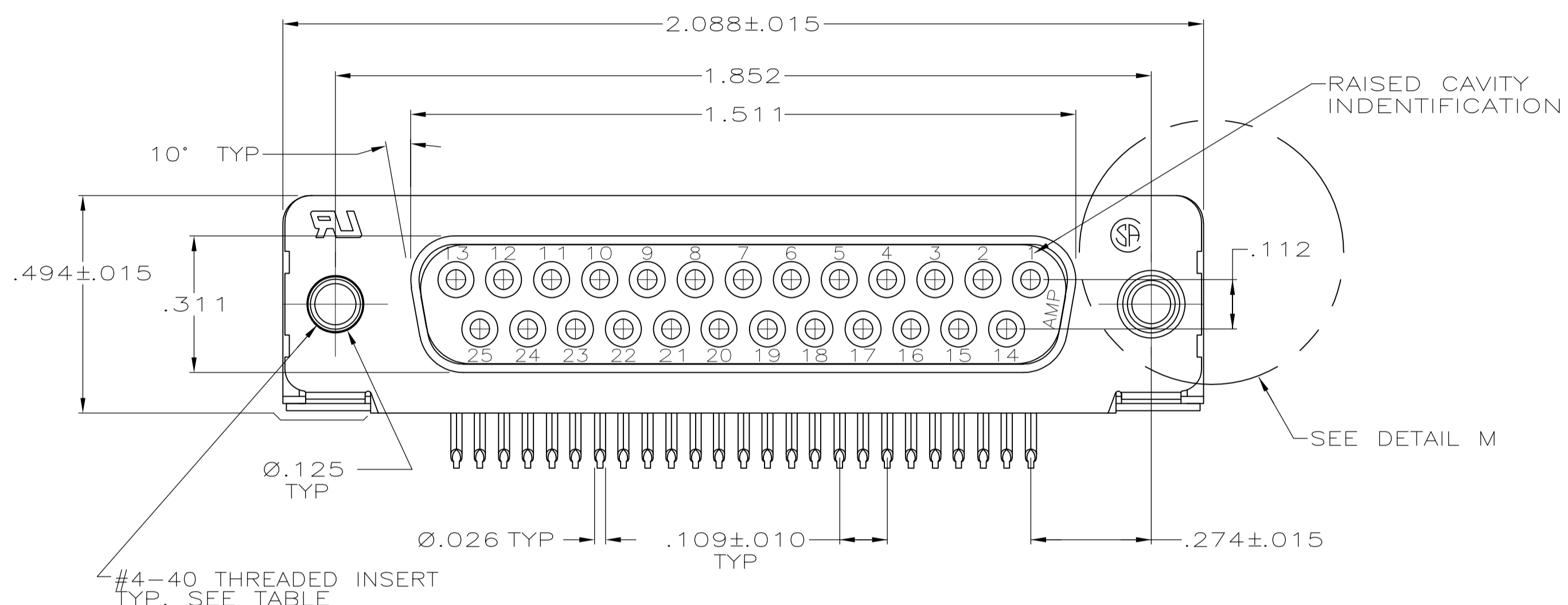
Contact us

Tel: +86-755-8981 8866 Fax: +86-755-8427 6832

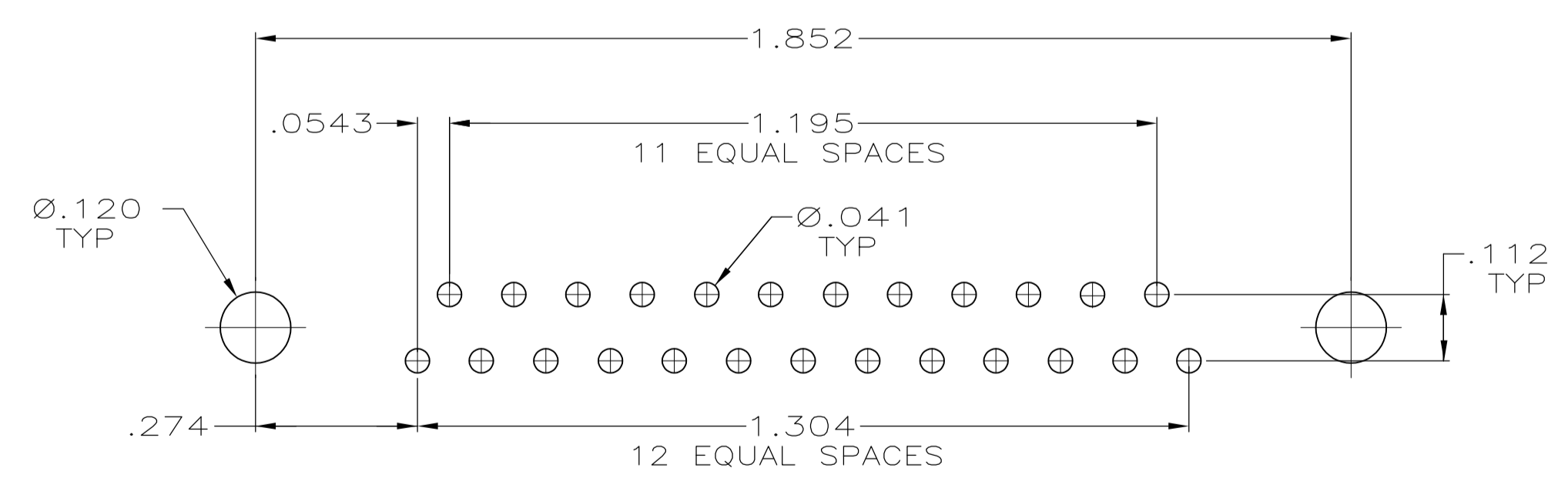
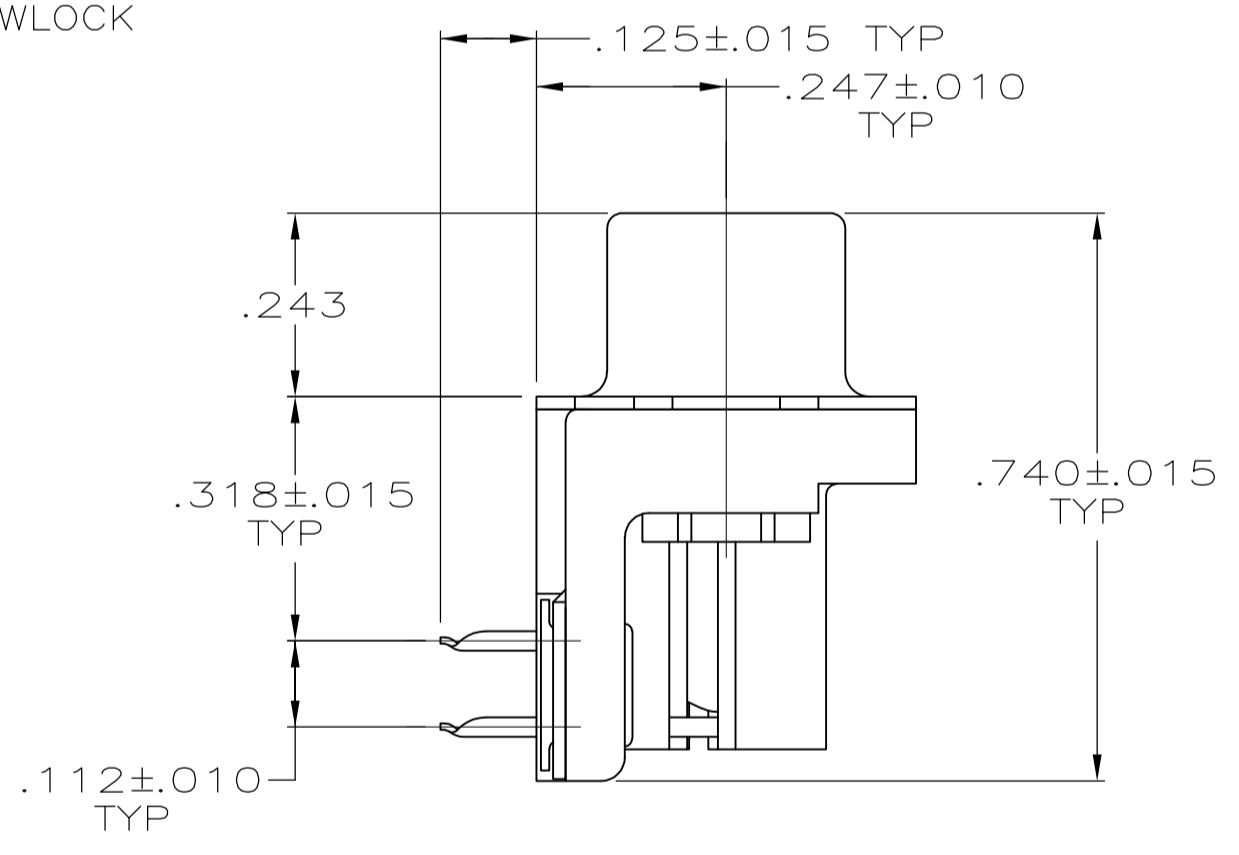
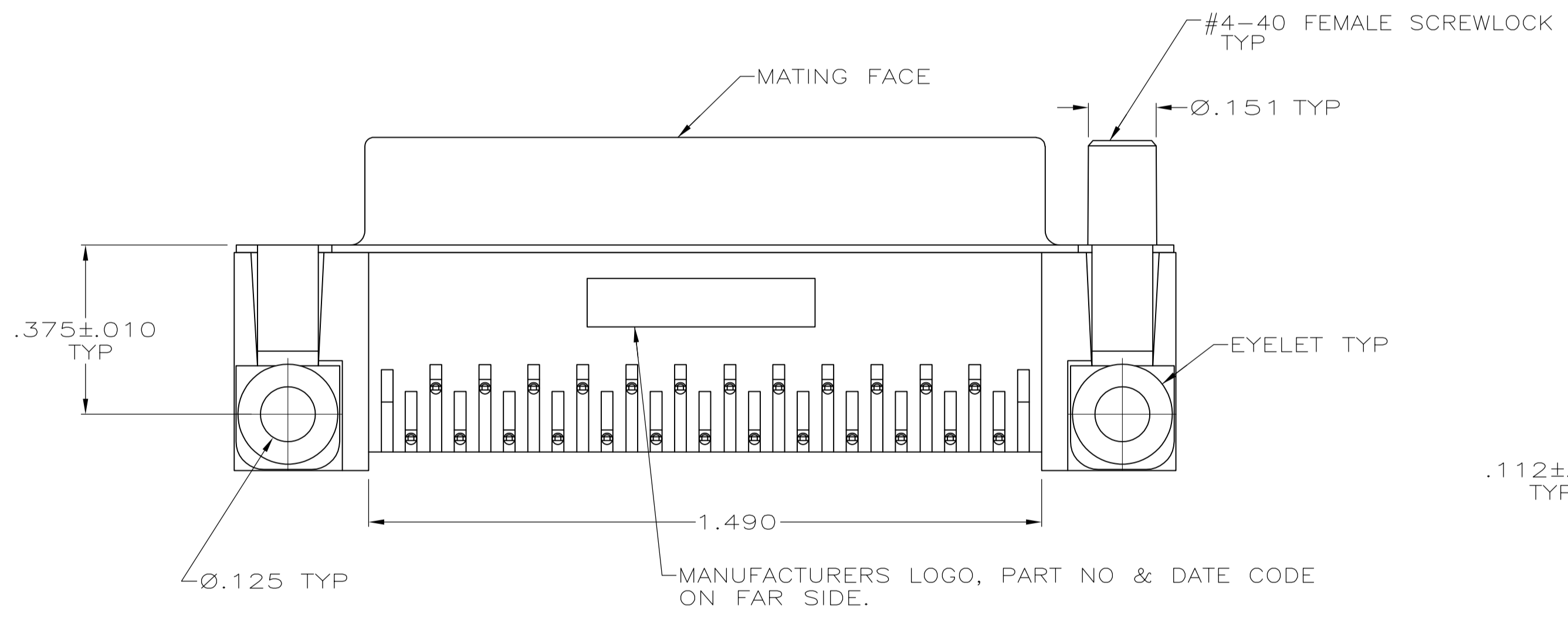
Email & Skype: info@chipsmall.com Web: www.chipsmall.com

Address: A1208, Overseas Decoration Building, #122 Zhenhua RD., Futian, Shenzhen, China





- 1 MOLDED PARTS: FLAME RETARDANT 94V-0 RATED THERMOPLASTIC, BLACK.
SHELL: CARBON STEEL
CONTACTS: PHOSPHOR BRONZE
EYELETS: BRASS
SCREWLOCKS: ZINC
INSERTS: ZINC
- 2 SHELL: .000100 MIN TIN OVER .000050 MIN COPPER.
CONTACTS: SEE TABLE
EYELETS: .000100 MIN TIN OVER COPPER FLASH.
SCREWLOCKS: CLEAR CHROMATE
INSERTS: CLEAR CHROMATE
- 3 GOLD FLASH FOR A DISTANCE OF .100 MIN FROM MATING END, .000100 MIN TIN ON OPPOSITE END, ALL OVER .000050 MIN NICKEL.
- 4 .000030 MIN GOLD FOR A DISTANCE OF .100 MIN FROM MATING END, .000100 MIN TIN ON OPPOSITE END, ALL OVER .000050 MIN NICKEL.



RECOMMENDED P.C. BOARD MOUNTING DIMENSIONS

DETAIL M
FOR -5 & -6 ONLY

FEMALE SCREWLOCKS	4	5745783-6
FEMALE SCREWLOCKS	3	5745783-5
THREADED INSERTS	4	5745783-4
THREADED INSERTS	3	5745783-3
NONE	4	5745783-2
MOUNTING HARDWARE	CONTACT FINISH	PART NUMBER

**COPYRIGHT 2005
TE CONNECTIVITY CORP
ALL RIGHTS RESERVED**

THIS DRAWING IS A CONTROLLED DOCUMENT.

DIMENSIONS: INCHES	TOLERANCES UNLESS OTHERWISE SPECIFIED:	DIN	A. FERNANDEZ-DOCKS 04-06-05	TE Connectivity
0 PLC ± -	1 PLC ± -	CHK	S. BOLASH 04-06-05	
2 PLC ± -	3 PLC ± .005	APVD	M. WALMSLEY 04-06-05	NAME
4 PLC ± -	ANGLES ± ± °	PRODUCT SPEC		RCPT ASSY, SIZE 3, 25 POSN, RTANG, AMPLITE HD-20, WITH METAL SHELL, WITH OR WITHOUT SCREWLOCKS OR INSERTS
MATERIAL	FINISH	APPLICATION SPEC	108-40025	SIZE
		114-40010	114-40010	CAGE CODE
		WEIGHT	A1 00779	DRAWING NO
		CUSTOMER DRAWING	5745783	RESTRICTED TO
				SCALE 4:1 SHEET 1 OF 1 REV P