



Chipsmall Limited consists of a professional team with an average of over 10 year of expertise in the distribution of electronic components. Based in Hongkong, we have already established firm and mutual-benefit business relationships with customers from,Europe,America and south Asia,supplying obsolete and hard-to-find components to meet their specific needs.

With the principle of “Quality Parts,Customers Priority,Honest Operation,and Considerate Service”,our business mainly focus on the distribution of electronic components. Line cards we deal with include Microchip,ALPS,ROHM,Xilinx,Pulse,ON,Everlight and Freescale. Main products comprise IC,Modules,Potentiometer,IC Socket,Relay,Connector.Our parts cover such applications as commercial,industrial, and automotives areas.

We are looking forward to setting up business relationship with you and hope to provide you with the best service and solution. Let us make a better world for our industry!



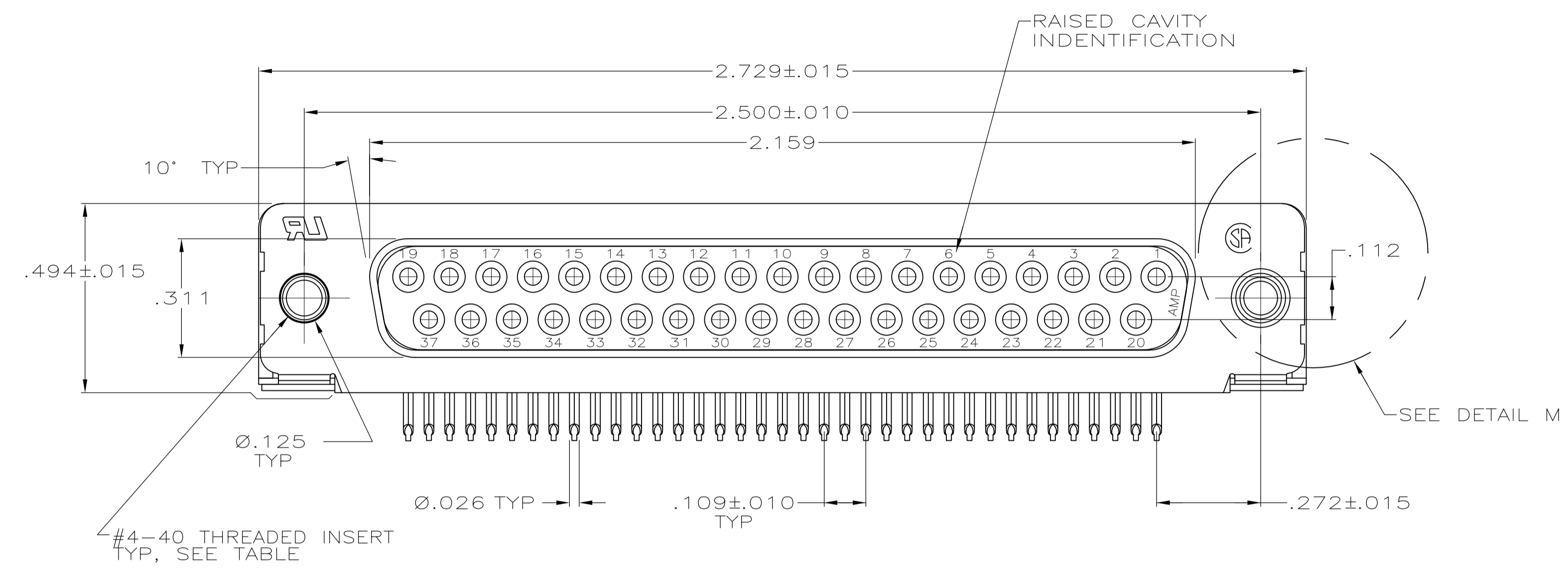
## Contact us

Tel: +86-755-8981 8866 Fax: +86-755-8427 6832

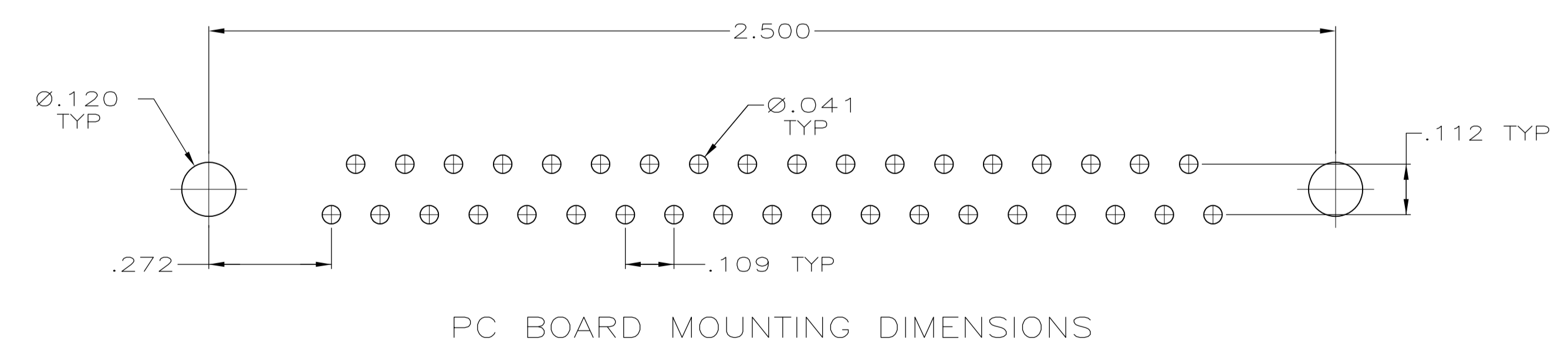
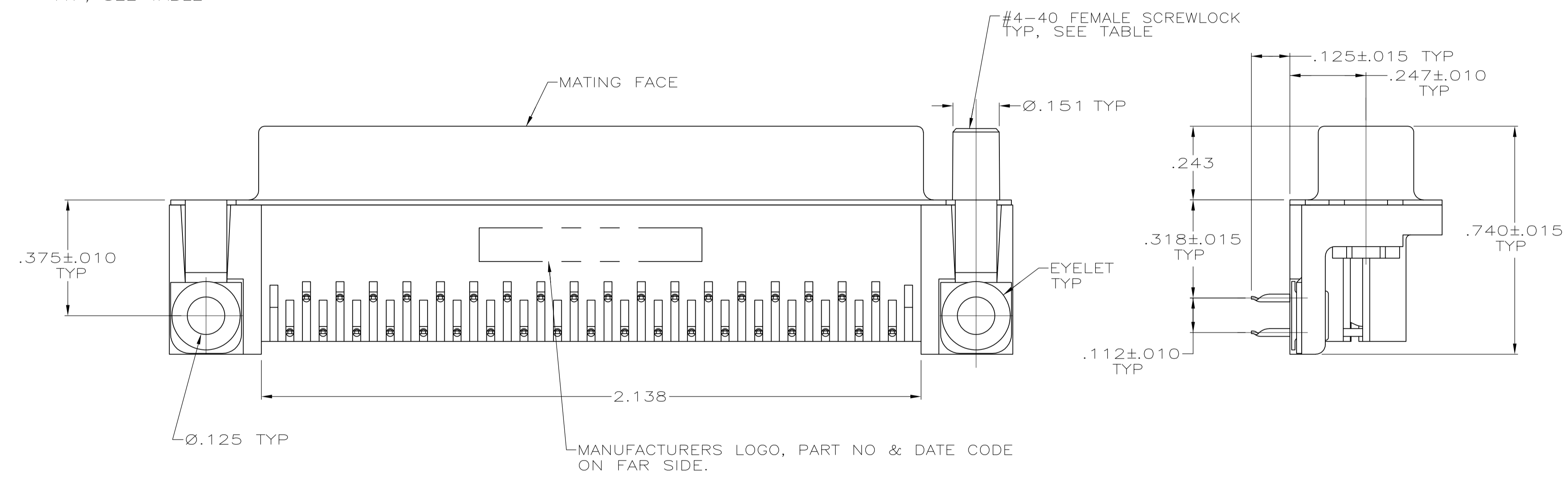
Email & Skype: info@chipsmall.com Web: www.chipsmall.com

Address: A1208, Overseas Decoration Building, #122 Zhenhua RD., Futian, Shenzhen, China





- 1 MOLDDED PARTS: FLAME RETARDANT 94V-0 RATED THERMOPLASTIC, BLACK.  
SHELL: CARBON STEEL  
CONTACTS: PHOSPHOR BRONZE  
EYELETS: BRASS  
SCREWLOCKS: ZINC  
INSERTS: ZINC
- 2 SHELL: .000100 MIN TIN OVER .000050 MIN COPPER.  
CONTACTS: .000030 MIN GOLD FOR A DISTANCE OF .100 MIN FROM MATING END, .000100 MIN TIN ON OPPOSITE END, ALL OVER .000050 MIN NICKEL.  
EYELETS: .000100 MIN TIN OVER COPPER FLASH.  
SCREWLOCKS: CLEAR CHROMATE  
INSERTS: CLEAR CHROMATE
- 3 OBSOLETE PARTS: OBSOLETE CIS STREAMLINING PER D.RENAUD/D.SINISI



3 OBSOLETE

FEMALE SCREWLOCKS	5745784-6
THREADED INSERTS	5745784-4
NONE	<del>5745784-2</del>
MOUNTING HARDWARE	PART NUMBER

**COPYRIGHT 2005  
TE CONNECTIVITY CORP  
ALL RIGHTS RESERVED**

THIS DRAWING IS A CONTROLLED DOCUMENT.		DIN A FERNANDEZ-DOCKS 04-07-05		TE Connectivity	
DIMENSIONS: INCHES		CHK S BOLASH 04-07-05		RCPT ASSY, SIZE 4, 37 POSN, RTANG, AMPLIMITE HD-20, WITH METAL SHELL, WITH OR WITHOUT SCREWLOCKS OR INSERTS	
TOLERANCES UNLESS OTHERWISE SPECIFIED:		APVD M WALMSLEY 04-07-05		NAME	
0. PLC ± -	1. PLC ± -	PRODUCT SPEC		108-40025	
2. PLC ± -	3. PLC ± .005	APPLICATION SPEC		114-40010	
4. PLC ± -	ANGLES ± °	SIZE		CAGE CODE DRAWING NO	
MATERIAL 1	FINISH 2	WEIGHT		A1 00779 C=5745784	
CUSTOMER DRAWING		SCALE 4:1		SHEET 1 of 1 REV P	