



Chipsmall Limited consists of a professional team with an average of over 10 year of expertise in the distribution of electronic components. Based in Hongkong, we have already established firm and mutual-benefit business relationships with customers from,Europe,America and south Asia,supplying obsolete and hard-to-find components to meet their specific needs.

With the principle of “Quality Parts,Customers Priority,Honest Operation,and Considerate Service”,our business mainly focus on the distribution of electronic components. Line cards we deal with include Microchip,ALPS,ROHM,Xilinx,Pulse,ON,Everlight and Freescale. Main products comprise IC,Modules,Potentiometer,IC Socket,Relay,Connector.Our parts cover such applications as commercial,industrial, and automotives areas.

We are looking forward to setting up business relationship with you and hope to provide you with the best service and solution. Let us make a better world for our industry!



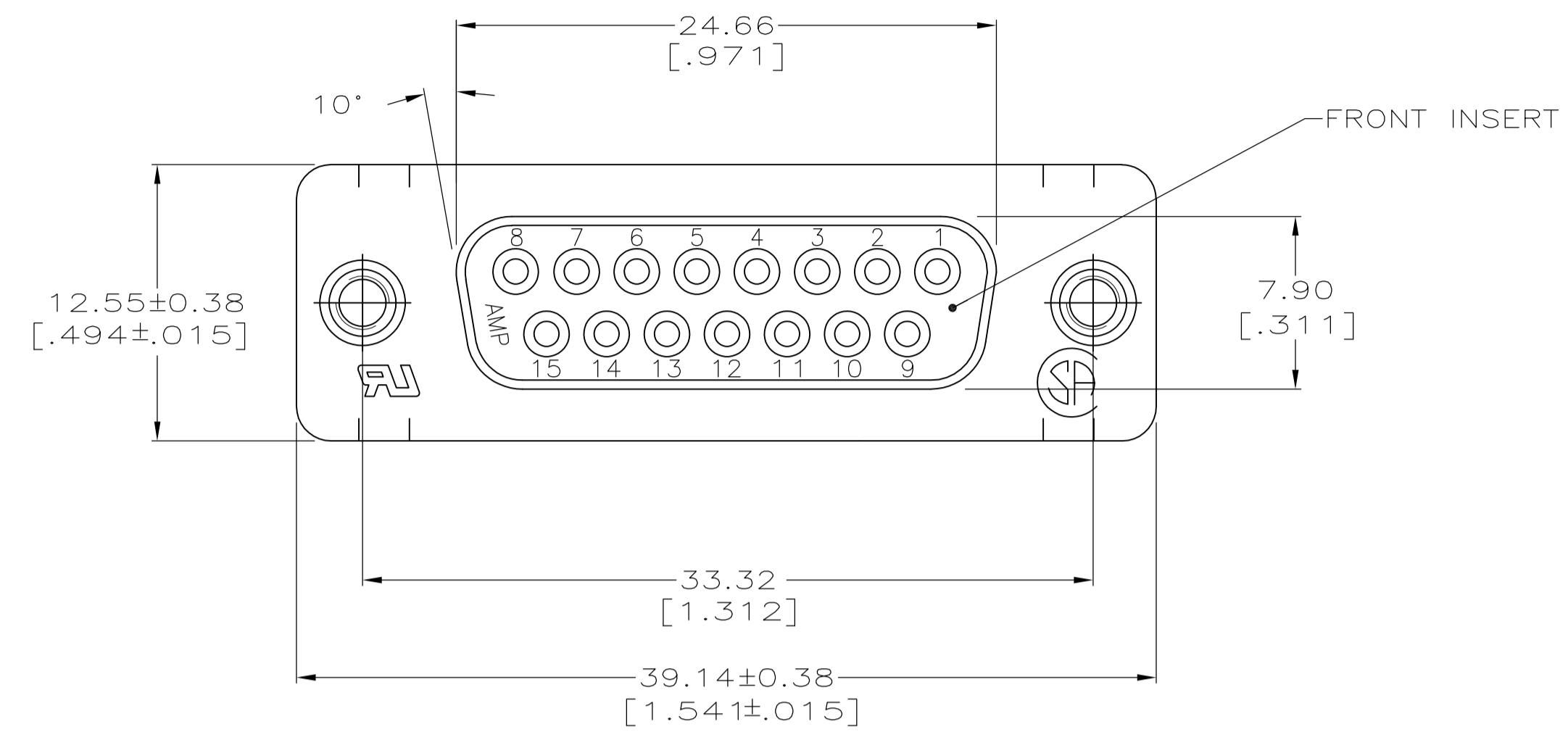
Contact us

Tel: +86-755-8981 8866 Fax: +86-755-8427 6832

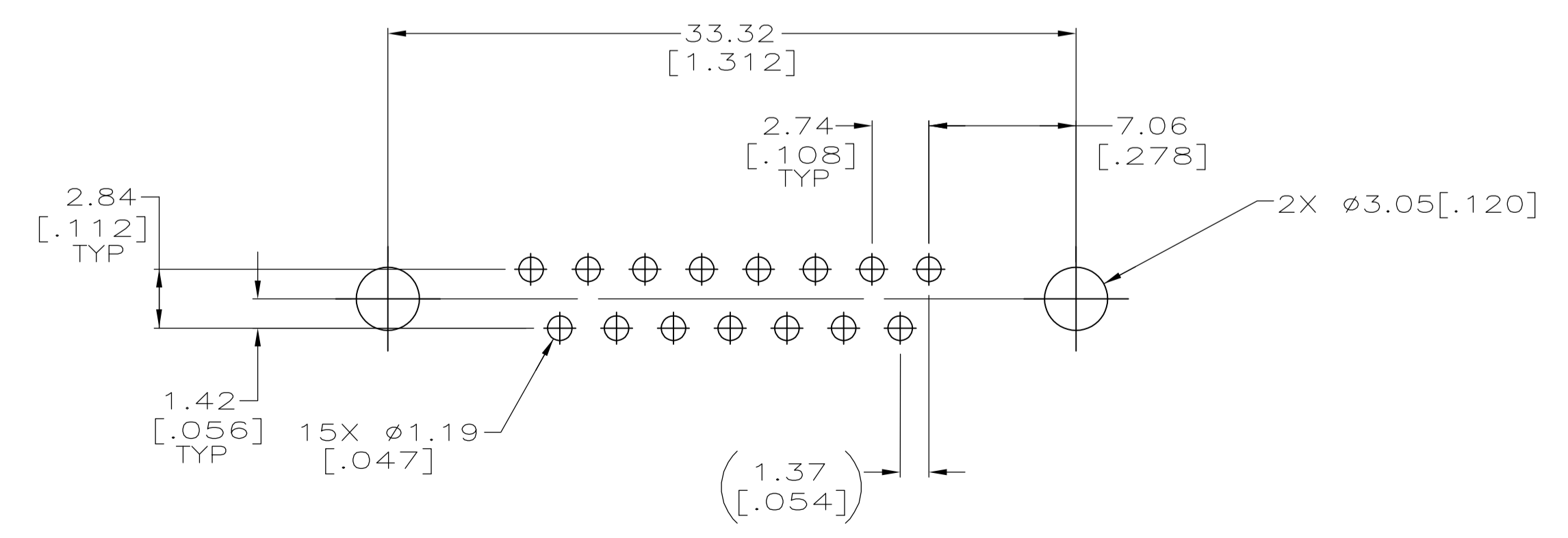
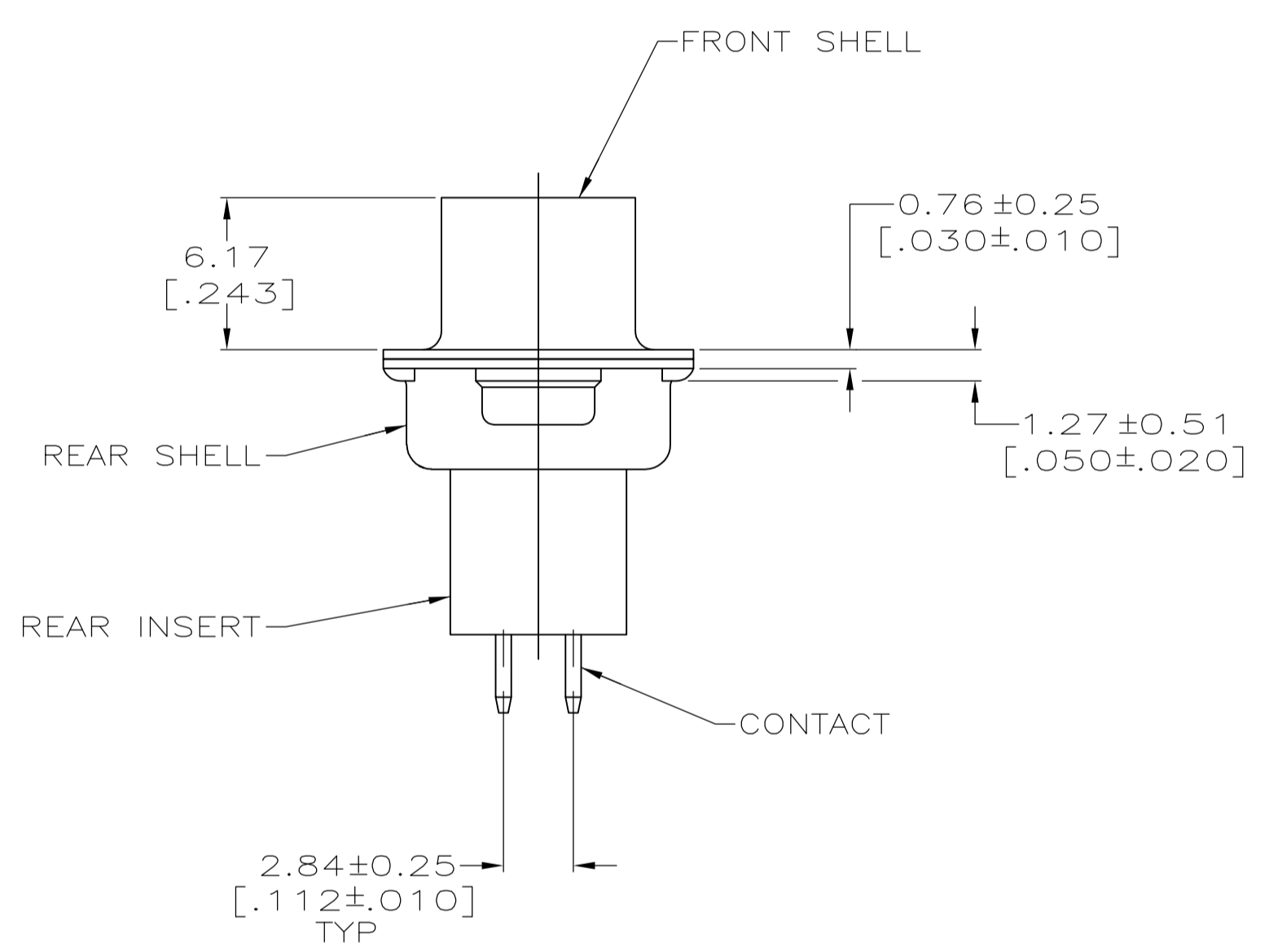
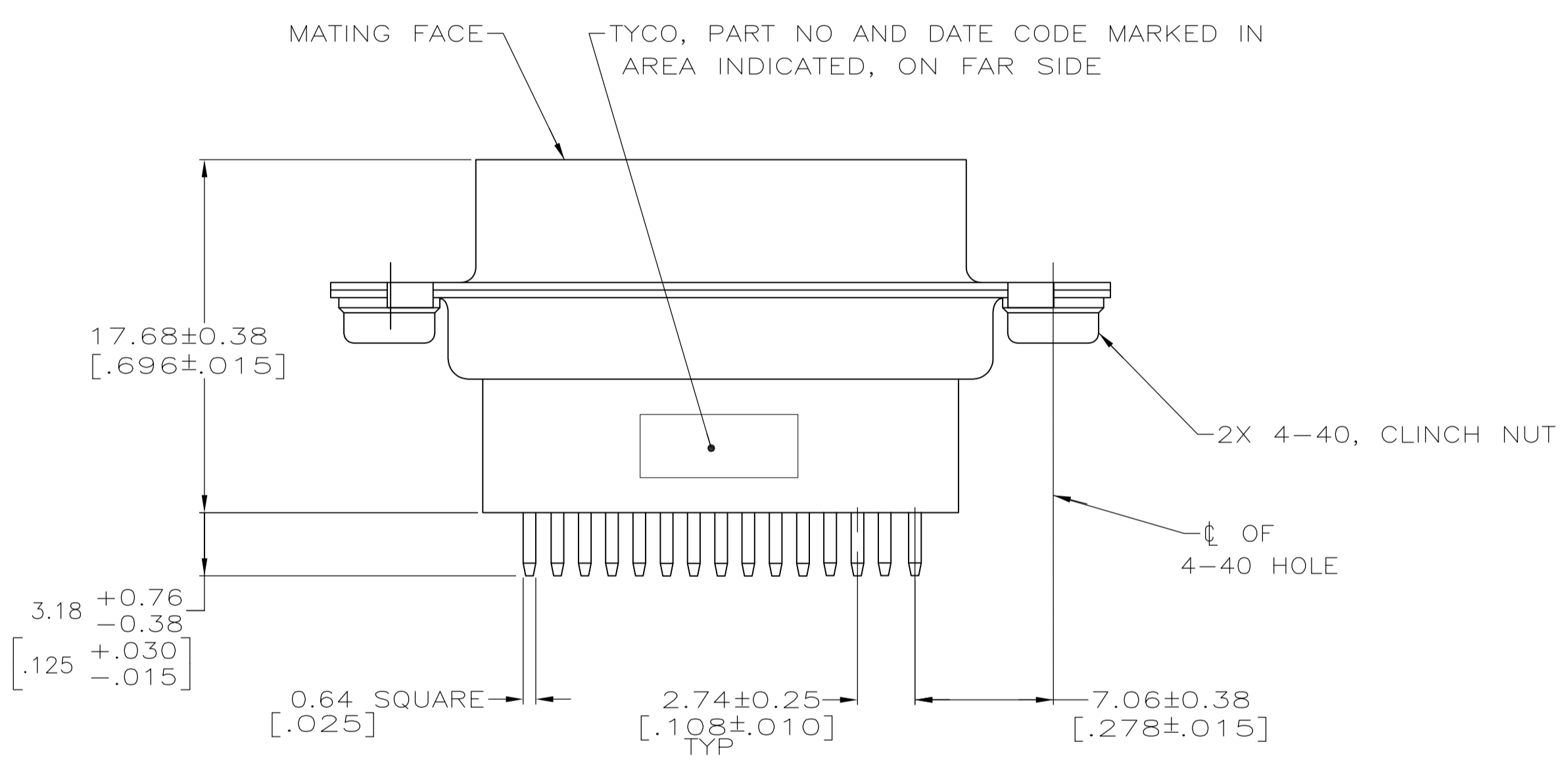
Email & Skype: info@chipsmall.com Web: www.chipsmall.com

Address: A1208, Overseas Decoration Building, #122 Zhenhua RD., Futian, Shenzhen, China





- 1 MOLDDED PARTS: GLASS-FILLED PBT OR GLASS-FILLED NYLON, UL94V-0 RATED. COLOR: BLACK.
CONTACTS: PHOSPHOR BRONZE.
SHELLS: CARBON STEEL.
CLINCH NUTS: CARBON STEEL.
- 2 SHELLS: 5.08 μm [0.000200] MIN TIN OVER 2.54 μm [0.000100] MIN COPPER.
CLINCH NUTS: .000200 MIN ZINC WITH CLEAR CHROMATE COATING.
CONTACTS: SEE TABLE.
- 3 GOLD FLASH FOR LENGTH OF 2.54 [0.100] MIN FROM MATING END, 2.54 μm [0.000100] MIN TIN ON OPPOSITE END, BOTH OVER 1.27 μm [0.000050] MIN NICKEL.
- 4 0.76 μm [0.000030] MIN GOLD FOR A LENGTH OF 2.54 [0.100] MIN FROM MATING END, 2.54 μm [0.000100] MIN TIN ON OPPOSITE END, BOTH OVER 1.27 μm [0.000050] MIN NICKEL.
-OR-
GOLD FLASH OVER PALLADIUM-NICKEL 0.76 μm [0.000030] MIN TOTAL FOR A LENGTH OF 2.54 [0.100] MIN FROM MATING END, 2.54 μm [0.000100] MIN TIN ON OPPOSITE END, BOTH OVER 1.27 μm [0.000050] MIN NICKEL.



RECOMMENDED PC BOARD MOUNTING DIMENSIONS

3	5745820-2
4	5745820-1
CONTACT FINISH	PART NO

THIS DRAWING IS A CONTROLLED DOCUMENT.		DIN B. LATTUCA 19SEPT05	TE Connectivity
DIMENSIONS: mm [INCHES]		CHK S. BOLASH 19SEPT05	
TOLERANCES UNLESS OTHERWISE SPECIFIED:		APP'D M. WALMSLEY 19SEPT05	NAME
0 PLC ± -	1 PLC ± -	PRODUCT SPEC	RECEPTACLE ASSEMBLY, SIZE 2, 15 POSN, VERTICAL, FRONT METAL SHELL, AMPLIMITE HD-20
2 PLC ± 0.13 [0.005]	3 PLC ± -	APPLICATION SPEC	108-40025
4 PLC ± -	ANGLES ± -	SIZE	114-40013
MATERIAL 1	FINISH 2	WEIGHT	—
CUSTOMER DRAWING		SCALE NTS	SHEET 1 OF 1 REV D