



Chipsmall Limited consists of a professional team with an average of over 10 year of expertise in the distribution of electronic components. Based in Hongkong, we have already established firm and mutual-benefit business relationships with customers from,Europe,America and south Asia,supplying obsolete and hard-to-find components to meet their specific needs.

With the principle of “Quality Parts,Customers Priority,Honest Operation,and Considerate Service”,our business mainly focus on the distribution of electronic components. Line cards we deal with include Microchip,ALPS,ROHM,Xilinx,Pulse,ON,Everlight and Freescale. Main products comprise IC,Modules,Potentiometer,IC Socket,Relay,Connector.Our parts cover such applications as commercial,industrial, and automotives areas.

We are looking forward to setting up business relationship with you and hope to provide you with the best service and solution. Let us make a better world for our industry!



Contact us

Tel: +86-755-8981 8866 Fax: +86-755-8427 6832

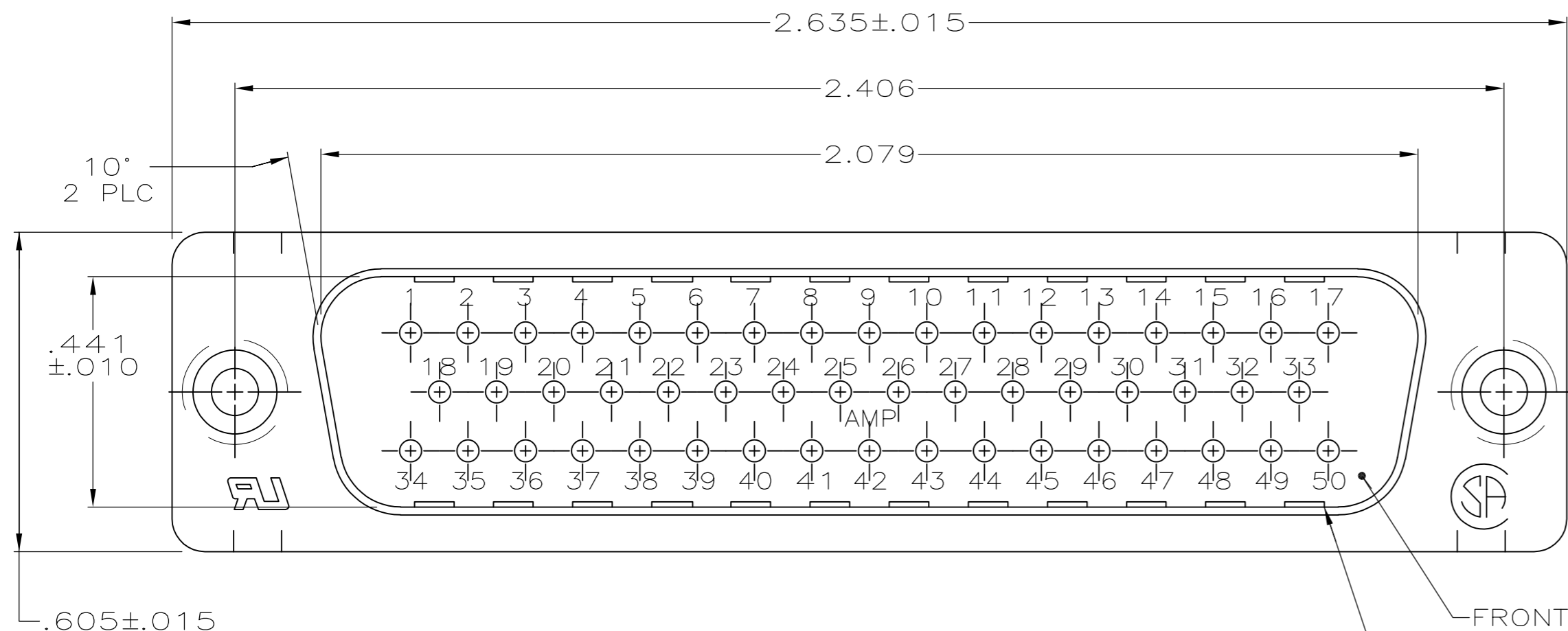
Email & Skype: info@chipsmall.com Web: www.chipsmall.com

Address: A1208, Overseas Decoration Building, #122 Zhenhua RD., Futian, Shenzhen, China

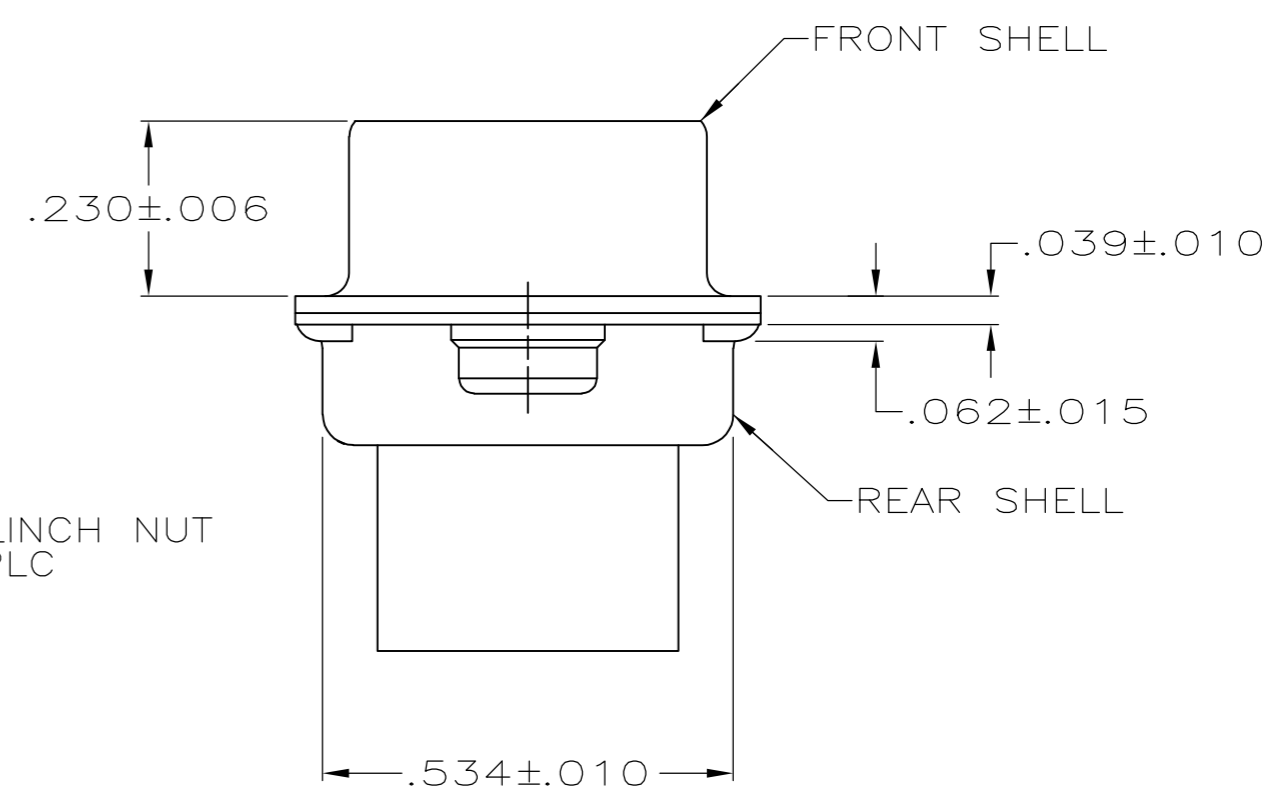
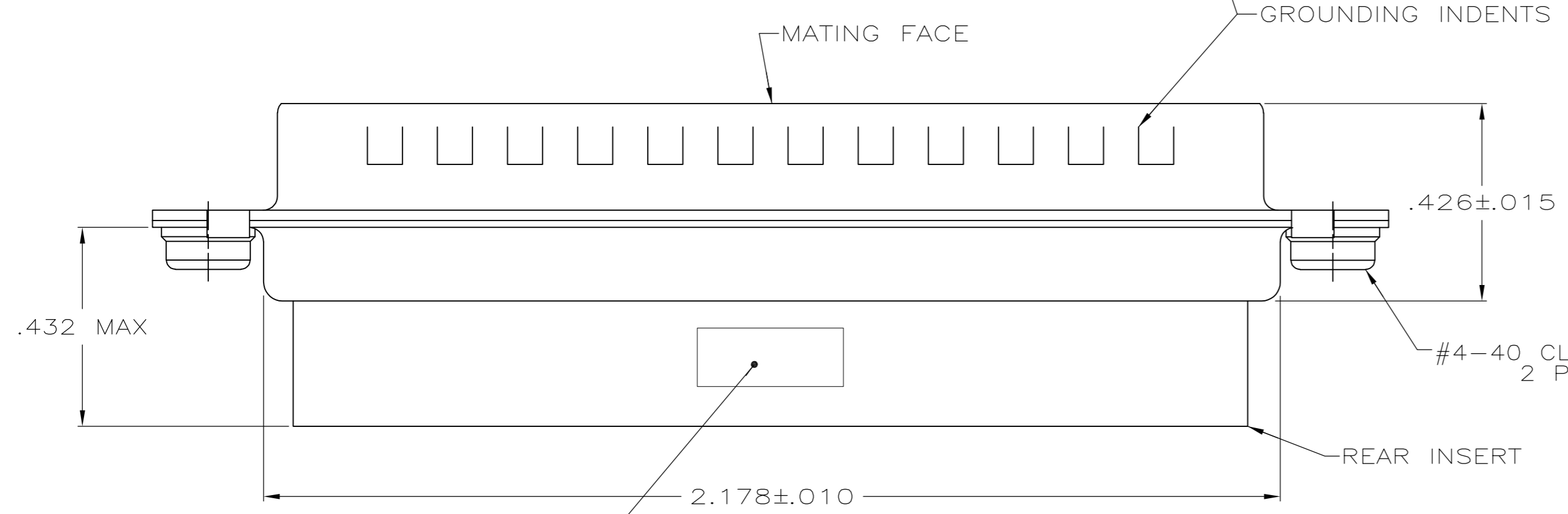


THIS DRAWING IS UNPUBLISHED. RELEASED FOR PUBLICATION
 © COPYRIGHT - By - ALL RIGHTS RESERVED.

LOC	DIST	REVISIONS					
GP	00	P	LTR	DESCRIPTION	DATE	DWN	APVD
		B		REVISED PER ECO-14-011808	11AUG2014	AP	SB



- 1. CONNECTOR ACCEPTS SIZE 20 DF PIN CONTACTS, RETENTION TINES ARE AN INTEGRAL PART OF INSERT.
- 2. INSERTS: GLASS-FILLED PBT OR GLASS-FILLED NYLON, UL94V-0 RATED. COLOR: BLACK. SHELLS & CLINCH NUTS: CARBON STEEL PER ASTM A109.
- 3. SHELLS: .000200 MIN TIN OVER .000100 MIN COPPER. CLINCH NUTS: CLEAR CHROMATE OVER ZINC.



MANUFACTURERS LOGO, PART NO & DATE CODE, MARKED IN AREA INDICATED, ON FAR SIDE

5745883-2
PART NO

THIS DRAWING IS A CONTROLLED DOCUMENT.		DWN 11-10-04 G. ATTADIA - DOCK5	TE Connectivity				
DIMENSIONS: INCHES		CHK 11-10-04 J. GERACE					
TOLERANCES UNLESS OTHERWISE SPECIFIED:		APVD 11-10-04 M. WALMSLEY	NAME PLUG CONNECTOR, SIZE 5, 50 POSN, WITH CLINCH NUTS, AMPLIMITE HDP-20				
0 PLC ± - 1 PLC ± - 2 PLC ± - 3 PLC ± .005 4 PLC ± - ANGLES ± 2°		PRODUCT SPEC 108-40005	SIZE A2	CAGE CODE 00779	DRAWING NO C=5745883	RESTRICTED TO -	
MATERIAL 2		FINISH 3	CUSTOMER DRAWING		SCALE 4:1	SHEET 1 of 1	REV B

5745883