



Chipsmall Limited consists of a professional team with an average of over 10 year of expertise in the distribution of electronic components. Based in Hongkong, we have already established firm and mutual-benefit business relationships with customers from,Europe,America and south Asia,supplying obsolete and hard-to-find components to meet their specific needs.

With the principle of "Quality Parts,Customers Priority,Honest Operation,and Considerate Service",our business mainly focus on the distribution of electronic components. Line cards we deal with include Microchip,ALPS,ROHM,Xilinx,Pulse,ON,Everlight and Freescale. Main products comprise IC,Modules,Potentiometer,IC Socket,Relay,Connector.Our parts cover such applications as commercial,industrial, and automotives areas.

We are looking forward to setting up business relationship with you and hope to provide you with the best service and solution. Let us make a better world for our industry!



## Contact us

Tel: +86-755-8981 8866 Fax: +86-755-8427 6832

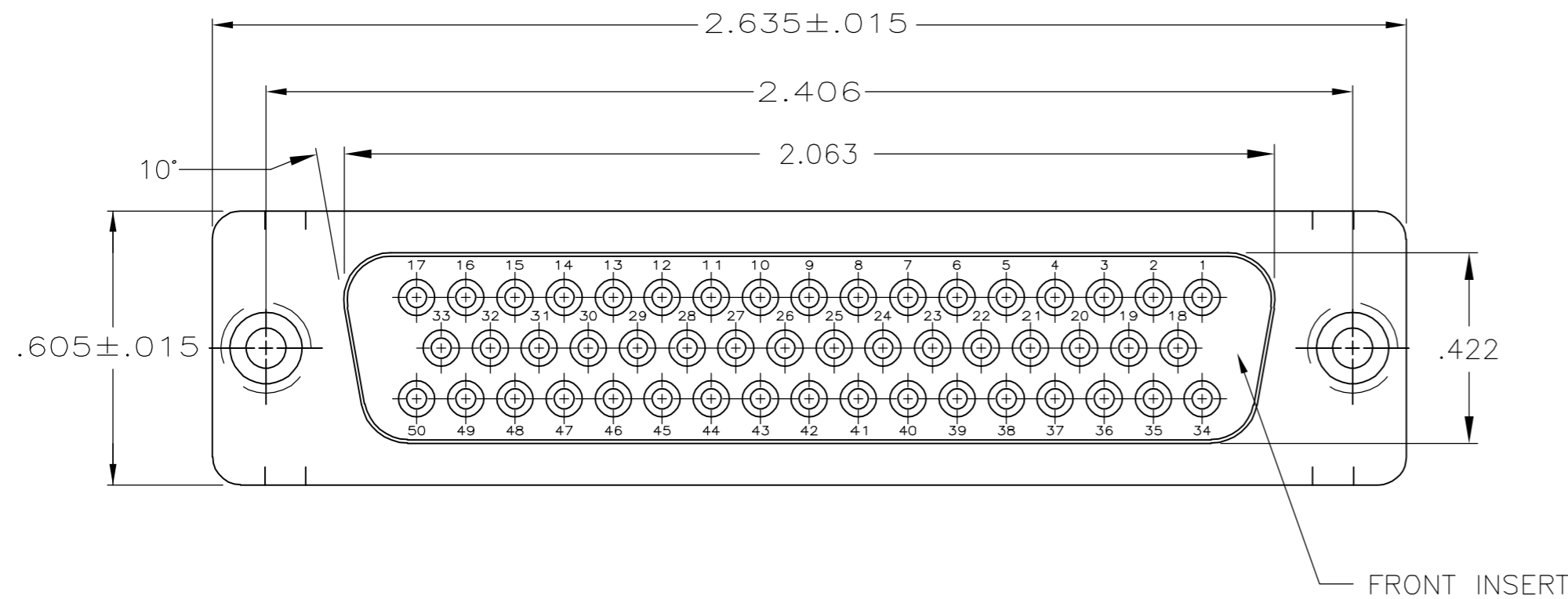
Email & Skype: info@chipsmall.com Web: www.chipsmall.com

Address: A1208, Overseas Decoration Building, #122 Zhenhua RD., Futian, Shenzhen, China

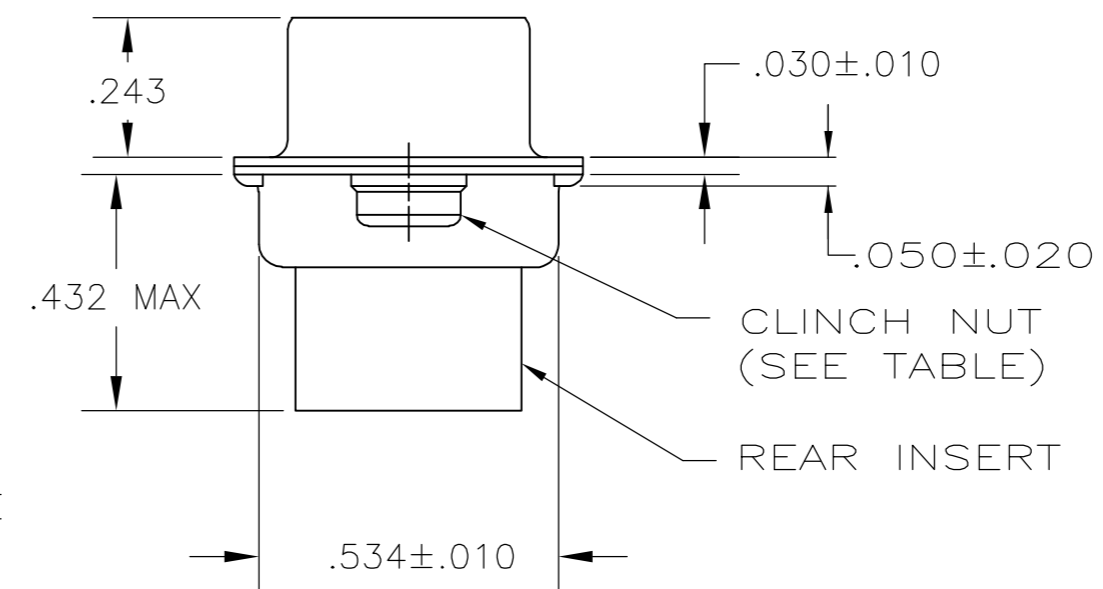
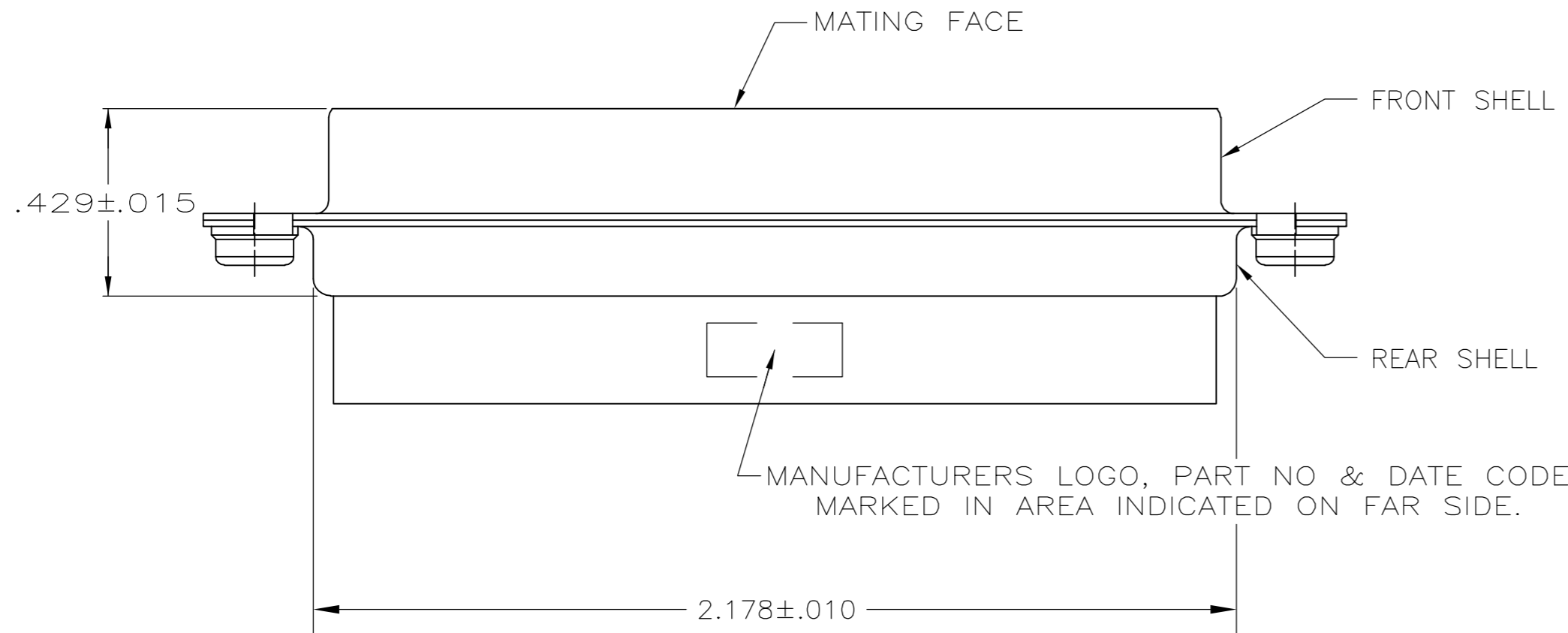


THIS DRAWING IS UNPUBLISHED. RELEASED FOR PUBLICATION  
 © COPYRIGHT BY TYCO ELECTRONICS CORPORATION. ALL RIGHTS RESERVED.

LOC	DIST	REVISIONS					
GP	00	P	LTR	DESCRIPTION	DATE	DWN	APVD
		A		REVISED PER EC 0513-0234-05	21FEB06	JG	CR



1. CONNECTOR ACCEPTS SIZE 20 DF SOCKET CONTACTS, RETENTION TINES ARE AN INTEGRAL PART OF INSERT.
2. INSERTS: UL 94V-0 RATED GLASS FILLED NYLON, BLACK.
3. SHELLS: .000200 MIN TIN OVER .000100 MIN COPPER.
4. BLACK INSERT, ZINC PLATED CLEAR CHROMATE COATING.
5. BLUE INSERT, ZINC PLATED YELLOW CHROMATE COATING.



5	M3	5745884-2
4	4-40	5745884-1
CLINCH NUT FINISH	CLINCH NUT THREAD	PART NO

THIS DRAWING IS A CONTROLLED DOCUMENT.		DWN L. VARELA - DOCK5 12-21-04	tyco Tyco Electronics Corporation	
DIMENSIONS: INCHES		CHK J. GERACE 12-21-04	Harrisburg, PA 17105-3608	
TOLERANCES UNLESS OTHERWISE SPECIFIED:		APVD M. WALMSLEY 12-21-04	RECEPTACLE CONNECTOR, SIZE 5, 50 POS., W/ CLINCH NUTS, AMPLIMITE HDP	
0 PLC ± -		PRODUCT SPEC 108-40005	SIZE A2	CAGE CODE 00779
1 PLC ± -		APPLICATION SPEC 114-40030	DRAWING NO C=5745884	RESTRICTED TO -
2 PLC ± -		WEIGHT -	SCALE 4:1	SHEET 1 of 1
3 PLC ± .005		CUSTOMER DRAWING	REV A	
4 PLC ± -				
ANGLES ± -				
FINISH SHELLS: 3				
CLINCH NUTS: SEE TABLE				

5745884