



Chipsmall Limited consists of a professional team with an average of over 10 year of expertise in the distribution of electronic components. Based in Hongkong, we have already established firm and mutual-benefit business relationships with customers from,Europe,America and south Asia,supplying obsolete and hard-to-find components to meet their specific needs.

With the principle of “Quality Parts,Customers Priority,Honest Operation,and Considerate Service”,our business mainly focus on the distribution of electronic components. Line cards we deal with include Microchip,ALPS,ROHM,Xilinx,Pulse,ON,Everlight and Freescale. Main products comprise IC,Modules,Potentiometer,IC Socket,Relay,Connector.Our parts cover such applications as commercial,industrial, and automotives areas.

We are looking forward to setting up business relationship with you and hope to provide you with the best service and solution. Let us make a better world for our industry!



Contact us

Tel: +86-755-8981 8866 Fax: +86-755-8427 6832

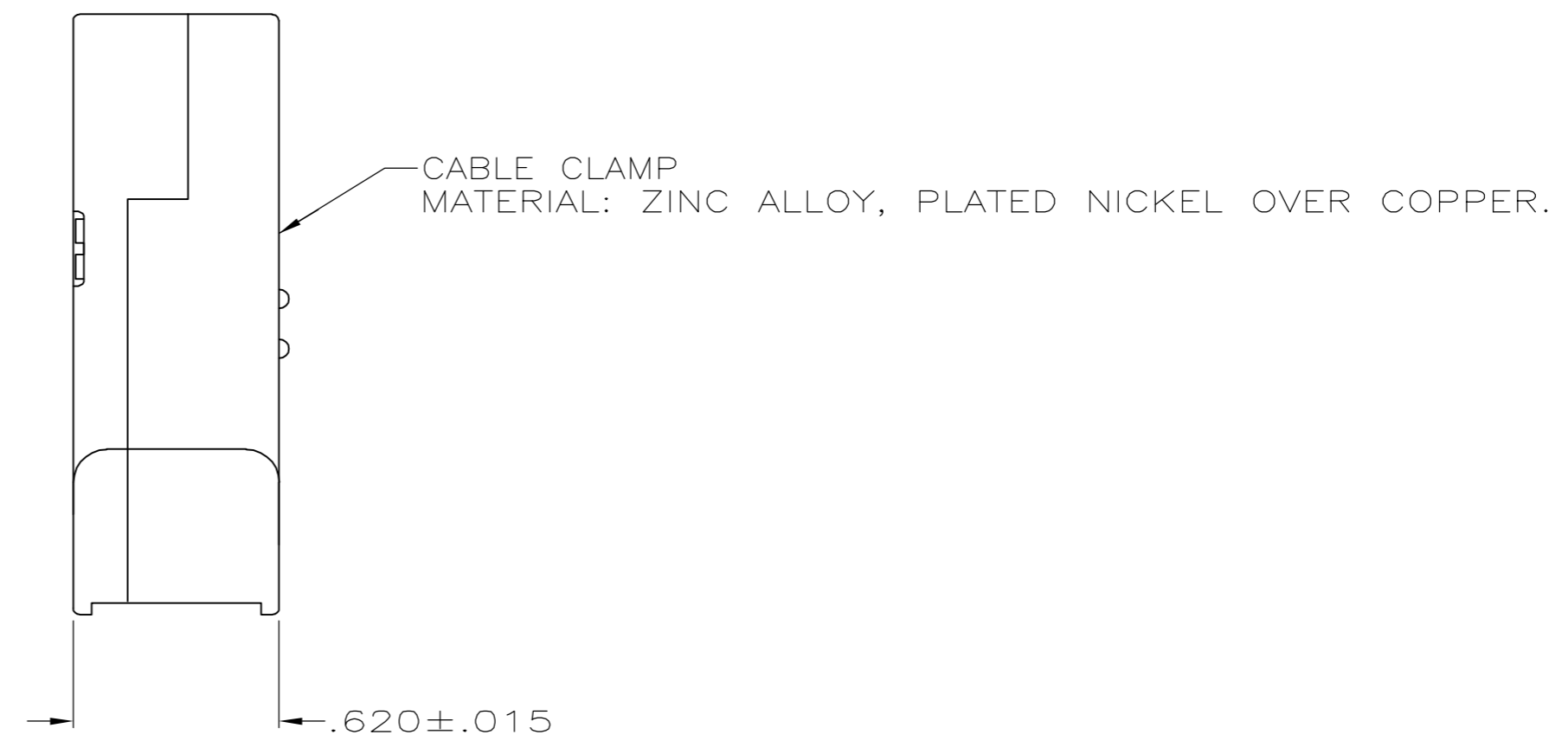
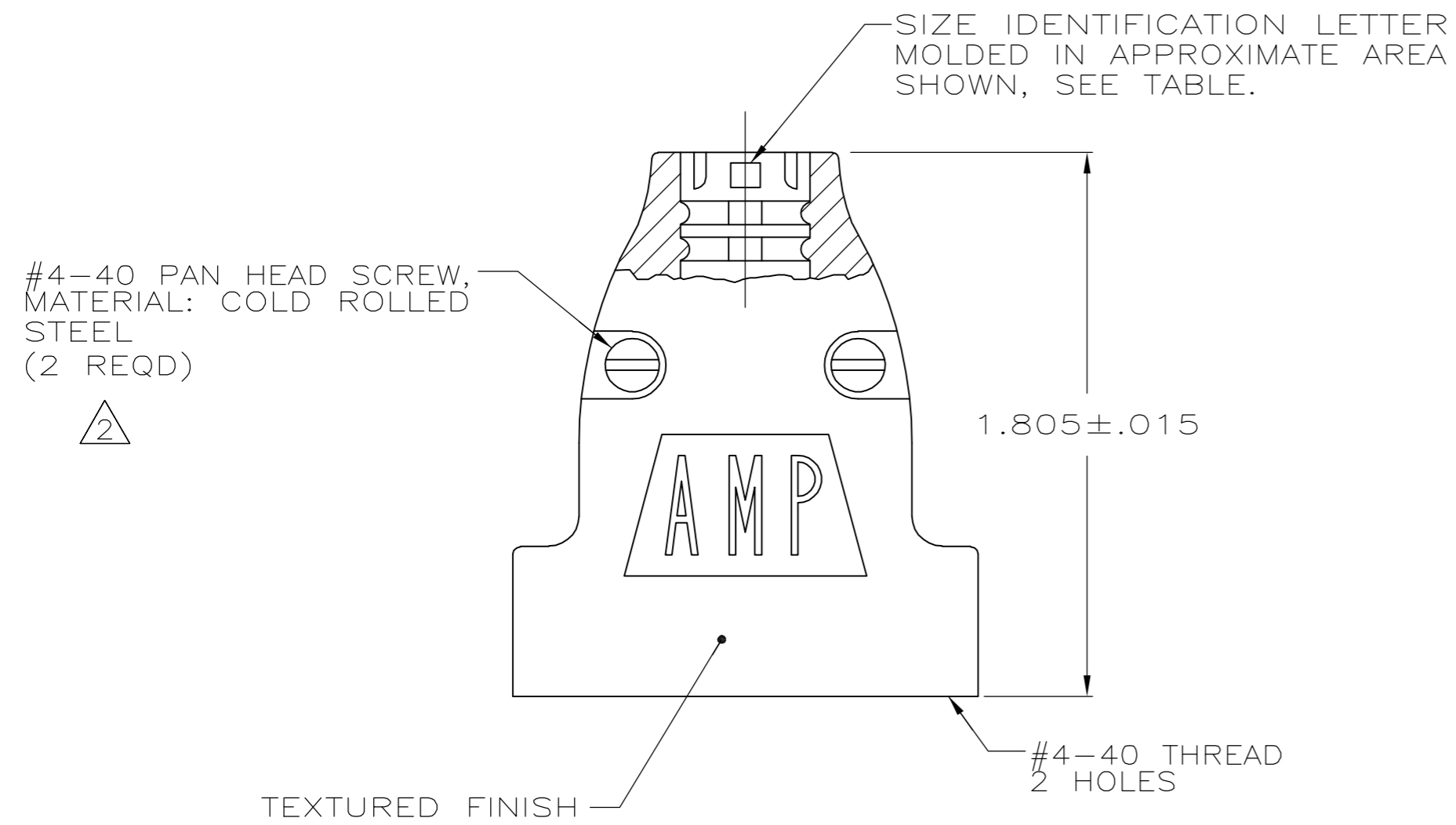
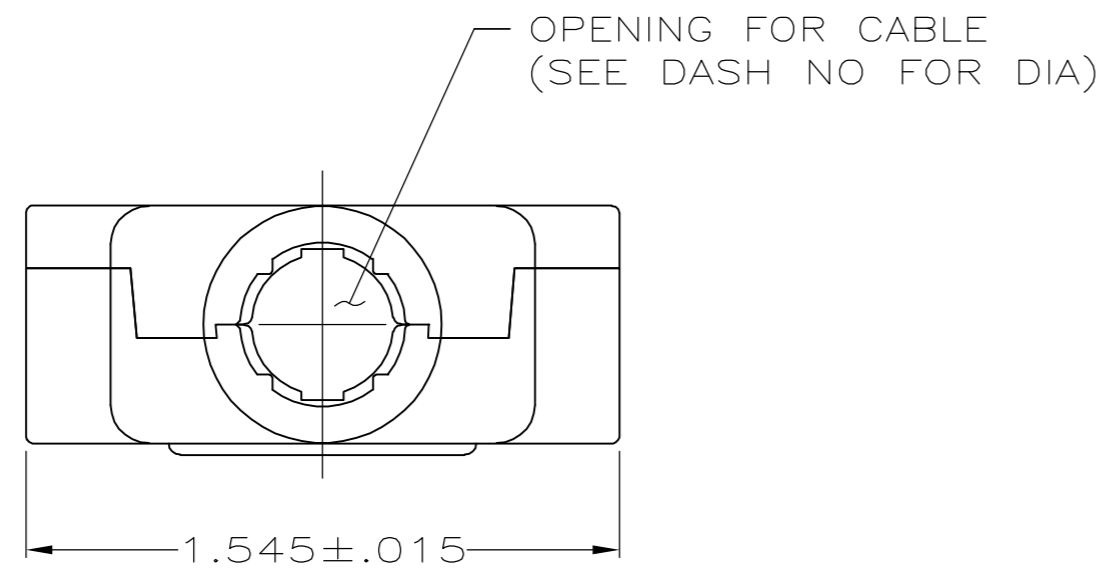
Email & Skype: info@chipsmall.com Web: www.chipsmall.com

Address: A1208, Overseas Decoration Building, #122 Zhenhua RD., Futian, Shenzhen, China



THIS DRAWING IS UNPUBLISHED. RELEASED FOR PUBLICATION
 © COPYRIGHT BY TYCO ELECTRONICS CORPORATION. ALL RIGHTS RESERVED.

LOC	DIST	REVISIONS			
P	LTR	DESCRIPTION	DATE	DWN	APVD
GP	00	0	RELEASED PER EC 0S13-0226-05	8-14-05	D.H. J.G.



1. PARTS PACKAGED UNASSEMBLED.

2 ZINC PLATED .000200-.000400 THICK,
CLEAR CHROMATE COATING.

E	.300	5745919-3
H	.375	5745919-2
K	.430	5745919-1
SIZE IDENT LETTER	MAX CABLE DIA	PART NUMBER

**COPYRIGHT 2005
 TYCO ELECTRONICS CORP
 ALL RIGHTS RESERVED**

THIS DRAWING IS A CONTROLLED DOCUMENT.		DWN D. HENNY 8-14-05	tyco Electronics		Tyco Electronics Corporation Harrisburg, Pa 17105-3608	
DIMENSIONS: INCHES		CHK C. ROHDE 8-14-05	NAME M. WALMSLEY 8-14-05			
TOLERANCES UNLESS OTHERWISE SPECIFIED:		APVD M. WALMSLEY 8-14-05	PRODUCT SPEC			
0 PLC ± -		APPLICATION SPEC				
1 PLC ± -		-				
2 PLC ± -		-				
3 PLC ± .005		-				
4 PLC ± -		-				
ANGLES ± -		-				
MATERIAL SEE CALLOUTS		FINISH SEE CALLOUTS	WEIGHT -	SIZE A2	CAGE CODE 00779	DRAWING NO C=5745919
CUSTOMER DRAWING			SCALE 1:1	SHEET 1	OF 1	REV 0