



Chipsmall Limited consists of a professional team with an average of over 10 year of expertise in the distribution of electronic components. Based in Hongkong, we have already established firm and mutual-benefit business relationships with customers from,Europe,America and south Asia,supplying obsolete and hard-to-find components to meet their specific needs.

With the principle of “Quality Parts,Customers Priority,Honest Operation,and Considerate Service”,our business mainly focus on the distribution of electronic components. Line cards we deal with include Microchip,ALPS,ROHM,Xilinx,Pulse,ON,Everlight and Freescale. Main products comprise IC,Modules,Potentiometer,IC Socket,Relay,Connector.Our parts cover such applications as commercial,industrial, and automotives areas.

We are looking forward to setting up business relationship with you and hope to provide you with the best service and solution. Let us make a better world for our industry!



## Contact us

Tel: +86-755-8981 8866 Fax: +86-755-8427 6832

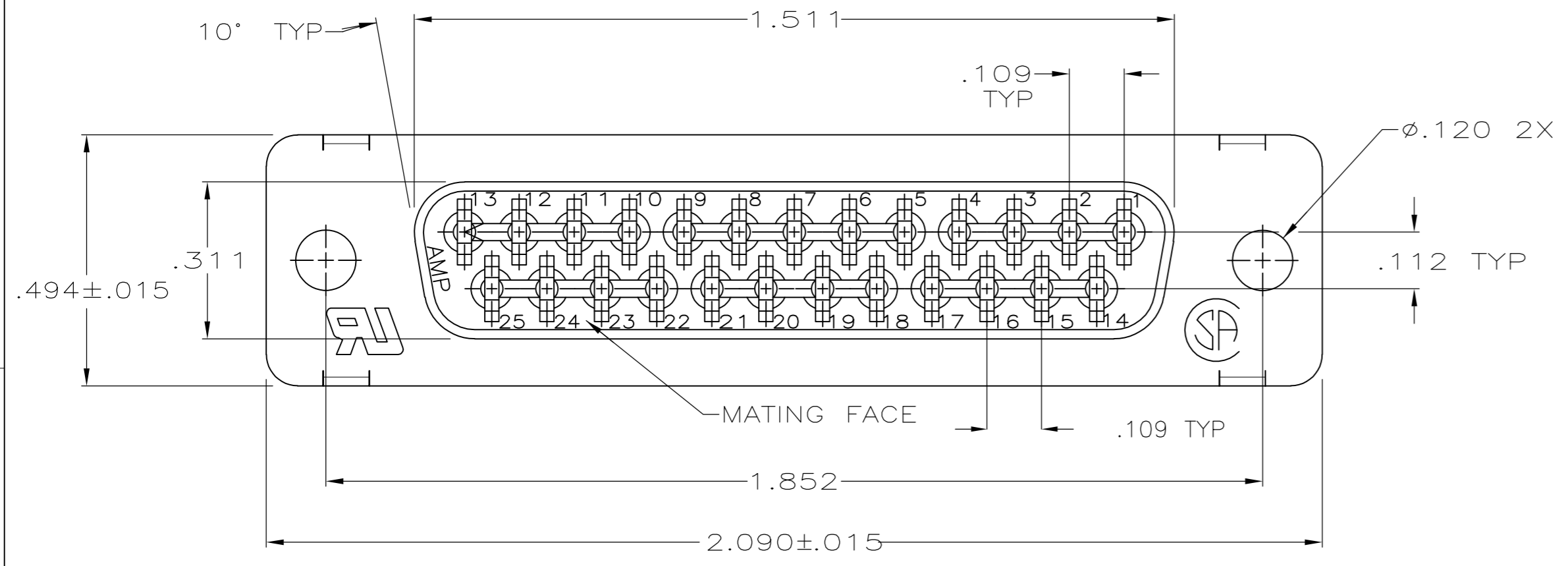
Email & Skype: info@chipsmall.com Web: www.chipsmall.com

Address: A1208, Overseas Decoration Building, #122 Zhenhua RD., Futian, Shenzhen, China

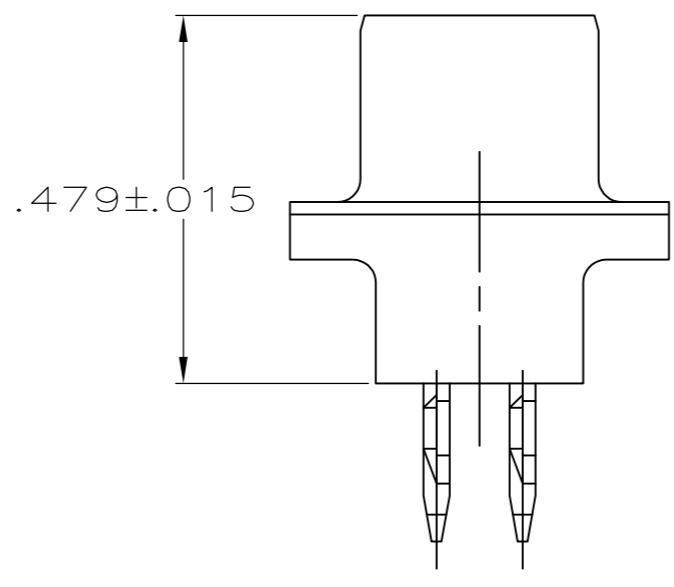
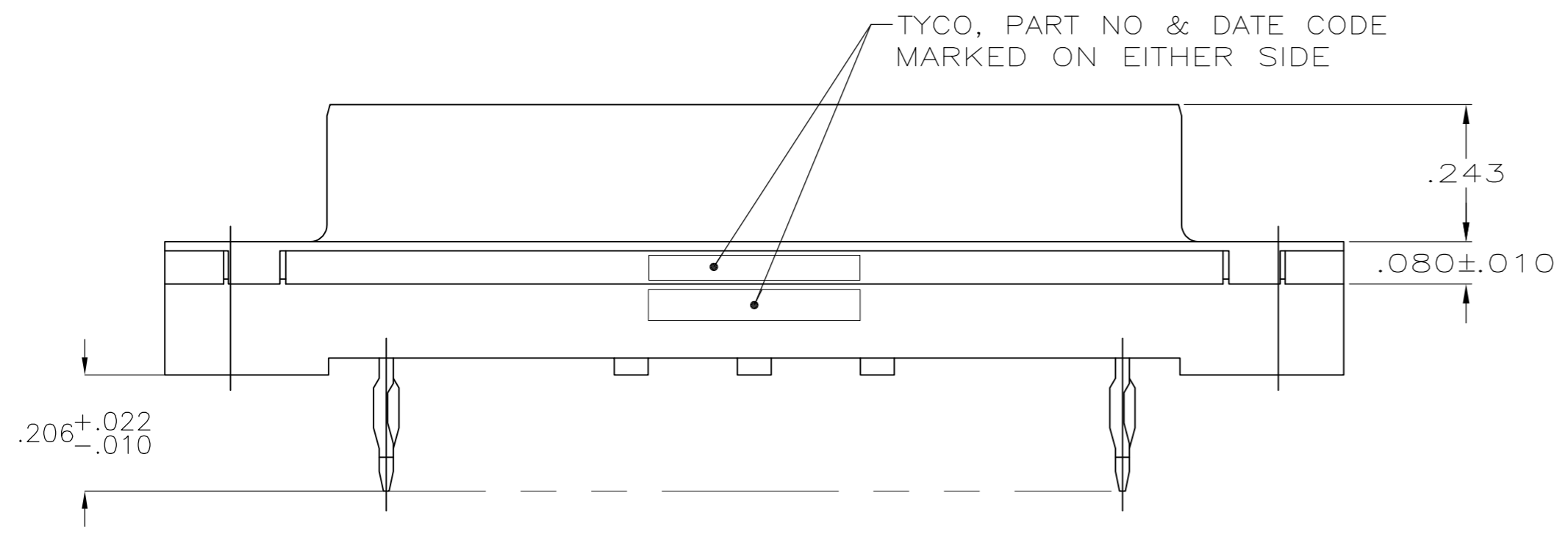


THIS DRAWING IS UNPUBLISHED. RELEASED FOR PUBLICATION  
 © COPYRIGHT 2006 By - ALL RIGHTS RESERVED.

LOC	DIST	REVISIONS					
GP	00	P	LTR	DESCRIPTION	DATE	DWN	APVD
		C		REVISED PER ECO-12-000090	26JAN2012	CJV	SLB



- 1 FOR USE WITH .093 MINIMUM THICK PRINTED CIRCUIT BOARD REFER TO APPLICATION SPECIFICATION FOR PRINTED CIRCUIT BOARD LAYOUT DIMENSIONS AND FINISH RECOMMENDATIONS.
- 2 MATERIAL:  
HOUSING: GLASS-FILLED NYLON OR POLYESTER, UL94V-0 RATED  
COLOR: BLACK.  
CONTACTS: COPPER ALLOY  
SHELL: CARBON STEEL.
- 3 SHELL: .000200 MIN TIN OVER .000100 MIN COPPER.
- 4 CONTACTS:  
0.76 MICROMETERS [.000030]MIN GOLD IN MATING AREA.  
2.54 MICROMETERS [.000100]MIN TIN ON COMPLIANT PIN.  
ALL OVER 1.27 MICROMETERS [.000050]MIN NICKEL.  
OR  
GOLD FLASH OVER PALLADIUM NICKEL.  
0.76 MICROMETERS [.000030]MIN TOTAL IN MATING AREA.  
2.54 MICROMETERS [.000100]MIN TIN ON COMPLIANT PIN.  
ALL OVER 1.27 MICROMETERS [.000050]MIN NICKEL.



5745922-2  
PART NUMBER

THIS DRAWING IS A CONTROLLED DOCUMENT. DIMENSIONING AND TOLERANCING PER ASME Y14.5M-2009		DWN G.PETERS/DTI 06MAR06				
TOLERANCES UNLESS OTHERWISE SPECIFIED:		CHK S.BOLASH 06MAR06				
DIMENSIONS: INCHES	0 PLC ± - 1 PLC ± - 2 PLC ± .005 3 PLC ± - 4 PLC ± - ANGLES ± -	APVD M.WALMSLEY 06MAR06	NAME			
		PRODUCT SPEC 108-40014	RECEPTACLE ASSEMBLY, ACTION-PIN, 25 POSITION, HD-20, AMPLIMITE			
MATERIAL	FINISH	APPLICATION SPEC 114-40026 1	SIZE A2	CAGE CODE 00779	DRAWING NO C=5745922	RESTRICTED TO -
		WEIGHT -	SCALE 4:1	SHEET 1 of 1	REV C	
		CUSTOMER DRAWING				