



Chipsmall Limited consists of a professional team with an average of over 10 year of expertise in the distribution of electronic components. Based in Hongkong, we have already established firm and mutual-benefit business relationships with customers from,Europe,America and south Asia,supplying obsolete and hard-to-find components to meet their specific needs.

With the principle of “Quality Parts,Customers Priority,Honest Operation,and Considerate Service”,our business mainly focus on the distribution of electronic components. Line cards we deal with include Microchip,ALPS,ROHM,Xilinx,Pulse,ON,Everlight and Freescale. Main products comprise IC,Modules,Potentiometer,IC Socket,Relay,Connector.Our parts cover such applications as commercial,industrial, and automotives areas.

We are looking forward to setting up business relationship with you and hope to provide you with the best service and solution. Let us make a better world for our industry!



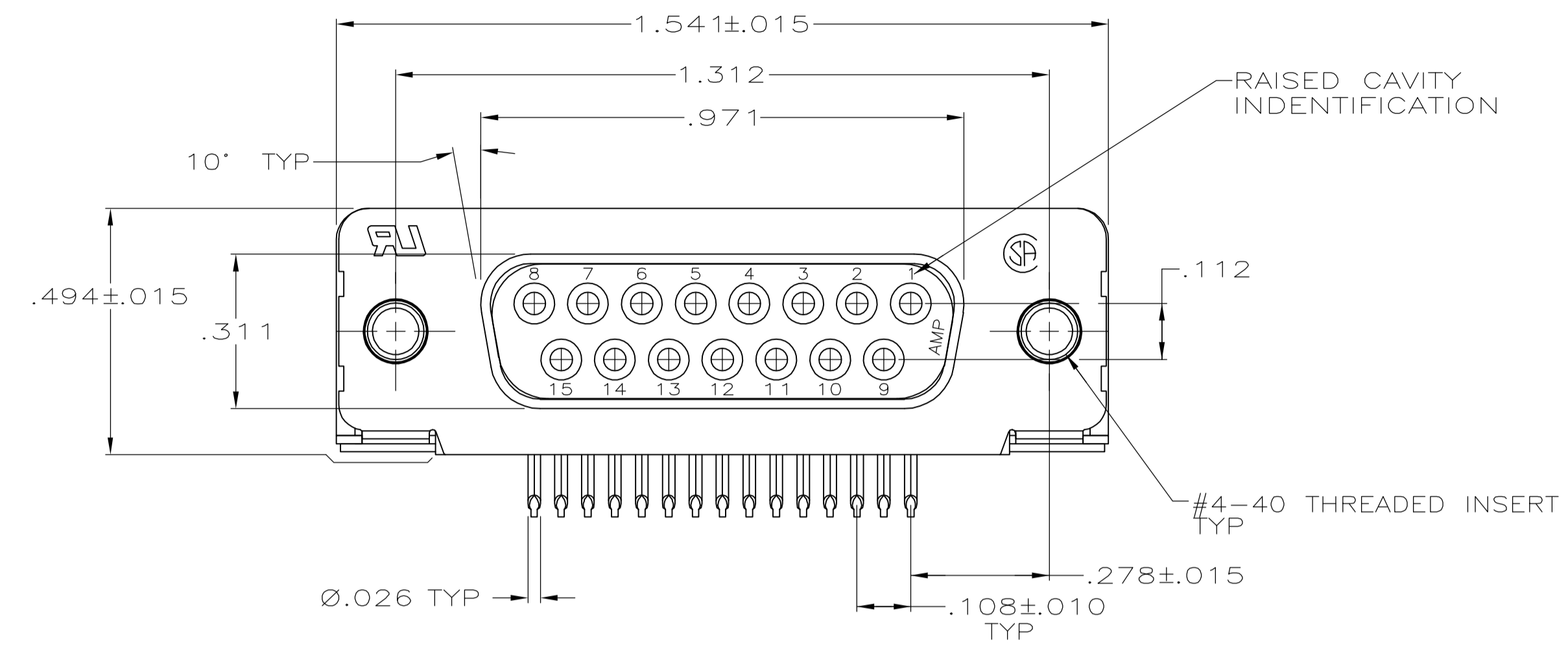
## Contact us

Tel: +86-755-8981 8866 Fax: +86-755-8427 6832

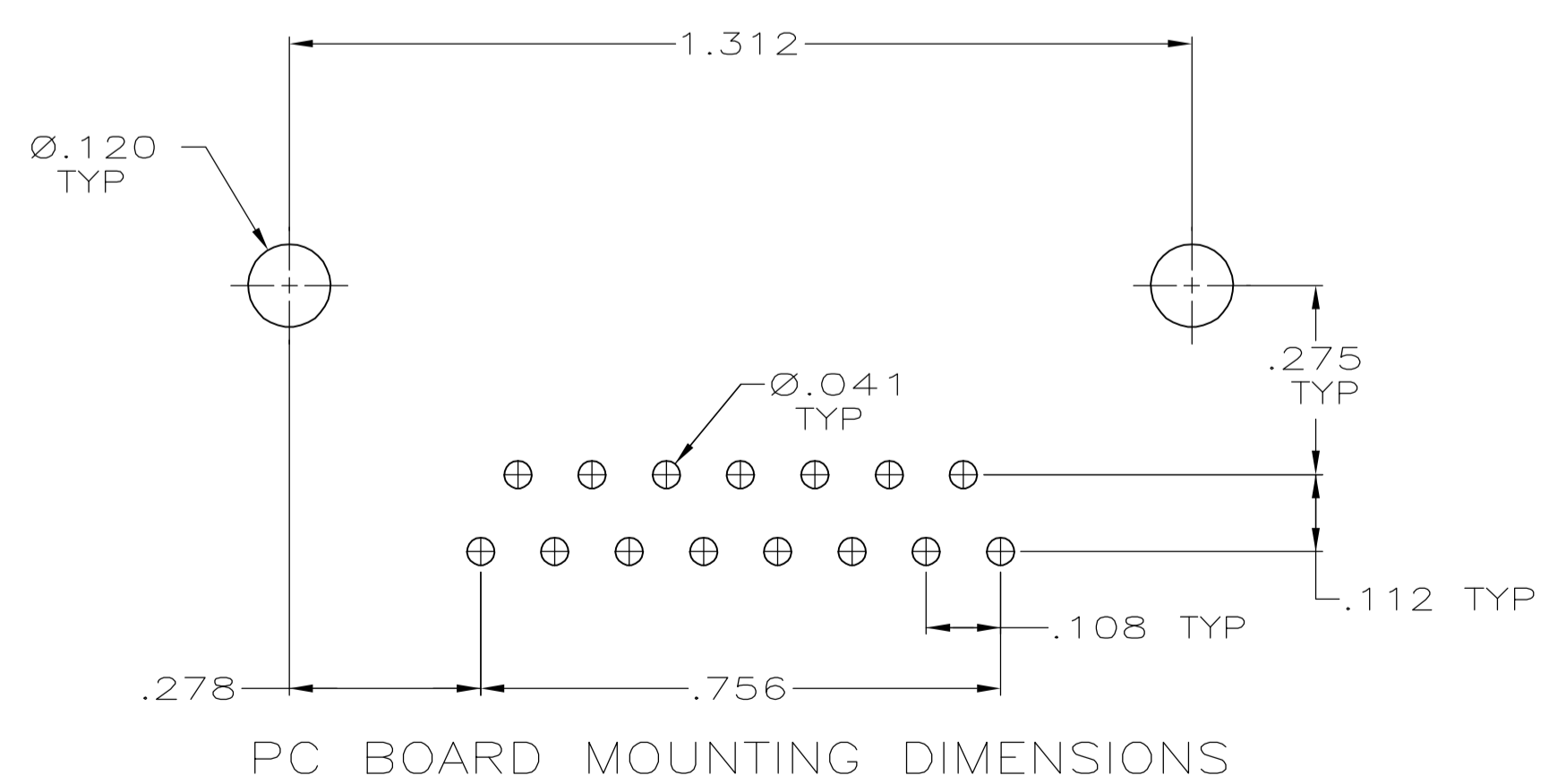
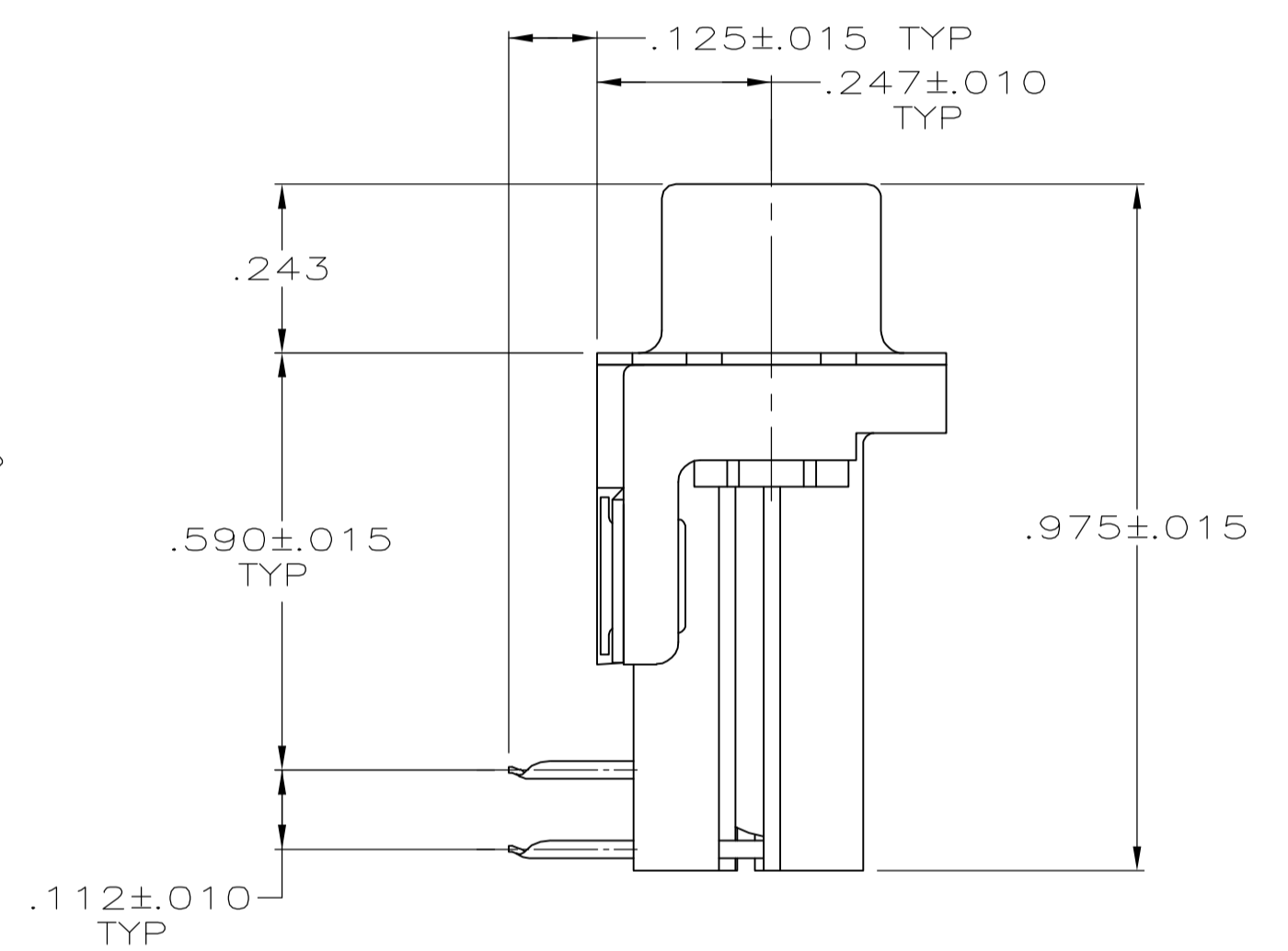
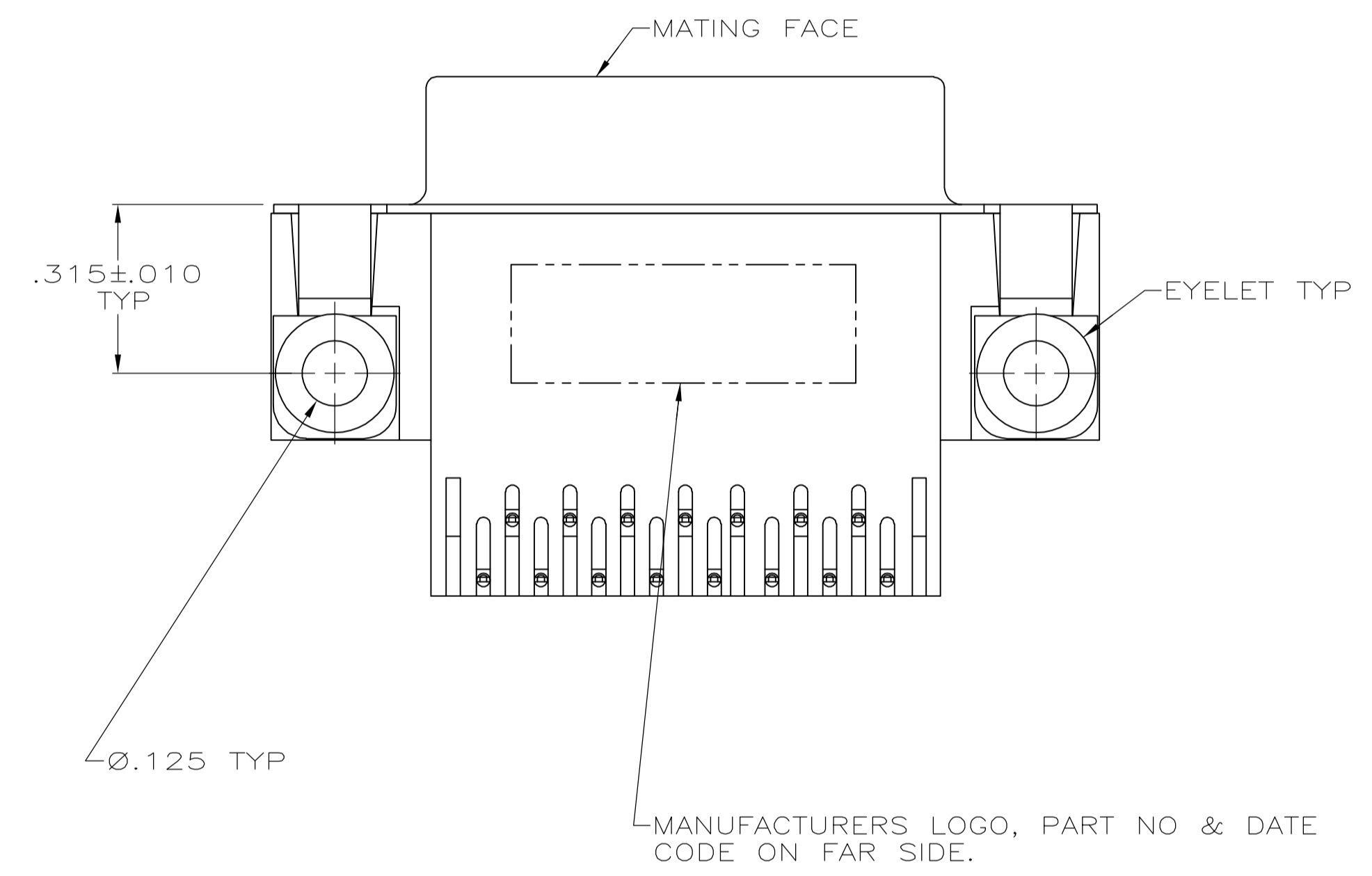
Email & Skype: info@chipsmall.com Web: www.chipsmall.com

Address: A1208, Overseas Decoration Building, #122 Zhenhua RD., Futian, Shenzhen, China





- ① MOLDED PARTS: FLAME RETARDANT 94V-0 RATED THERMOPLASTIC, BLACK.  
 SHELL: CARBON STEEL  
 CONTACTS: PHOSPHOR BRONZE  
 EYELETS: BRASS  
 INSERTS: ZINC
- ② SHELL: .000100 MIN TIN OVER .000050 MIN COPPER.  
 CONTACTS: .000030 MIN GOLD FOR A DISTANCE OF .100 MIN FROM  
 MATING END, .000100 MIN TIN  
 ON SOLDER POST, ALL OVER .000050 MIN NICKEL.  
 EYELETS: .000100 MIN COPPER OVER COPPER FLASH.  
 INSERTS: CLEAR CHROMATE



5745984-4  
 PART NUMBER

**COPYRIGHT 2005  
 TYCO ELECTRONICS CORP  
 ALL RIGHTS RESERVED**

THIS DRAWING IS A CONTROLLED DOCUMENT.		DIN	A. FERNANDEZ-DUCKS	04-07-05		Tyco Electronics Corporation	
		CHK	S. BOLASH	04-07-05		Harrisburg, PA 17105-3608	
DIMENSIONS: INCHES		TOLERANCES UNLESS OTHERWISE SPECIFIED:		APVD		NAME	
				M. WALMSLEY		RCPT ASSY, SIZE 2, RTANG, W/FRONT	
				PRODUCT SPEC		METAL SHELL, .026 DIA POSTS, AMLPIMITE	
				APPLICATION SPEC		HD-20 (.590 FOOTPRINT) SHORT LEG	
				SIZE		DRAWING NO	
				A1		00779	
				WEIGHT		RESTRICTED TO	
				-		-	
				CUSTOMER DRAWING		SCALE 4:1 SHEET 1 OF 1 REV 0	